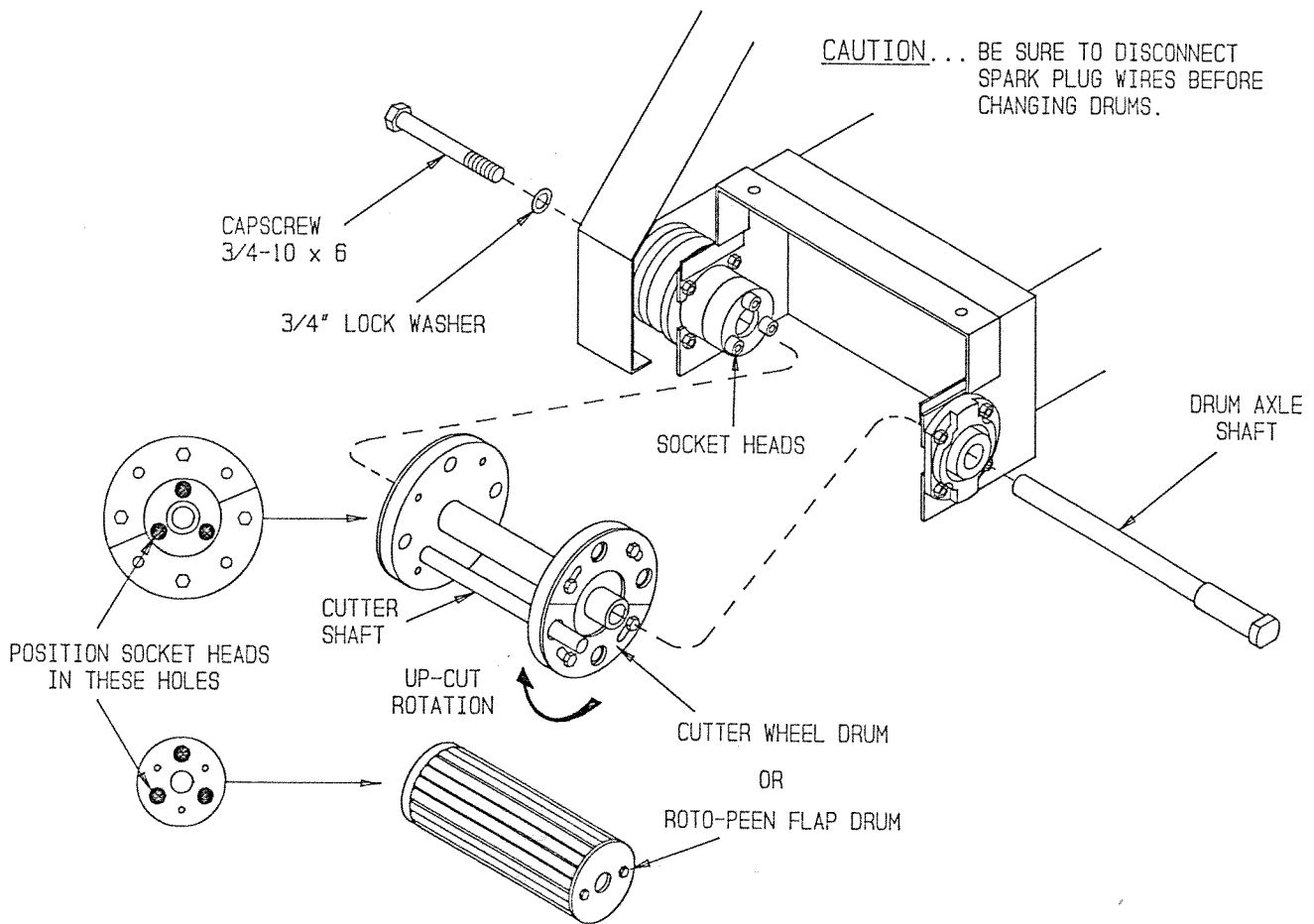


6-1-91

## Model CPU-10-C CUTTER & ROTO-PEEN DRUM CONVERTIBLE HEAD SYSTEM



### **EQUIPMENT DEVELOPMENT COMPANY, INC.**

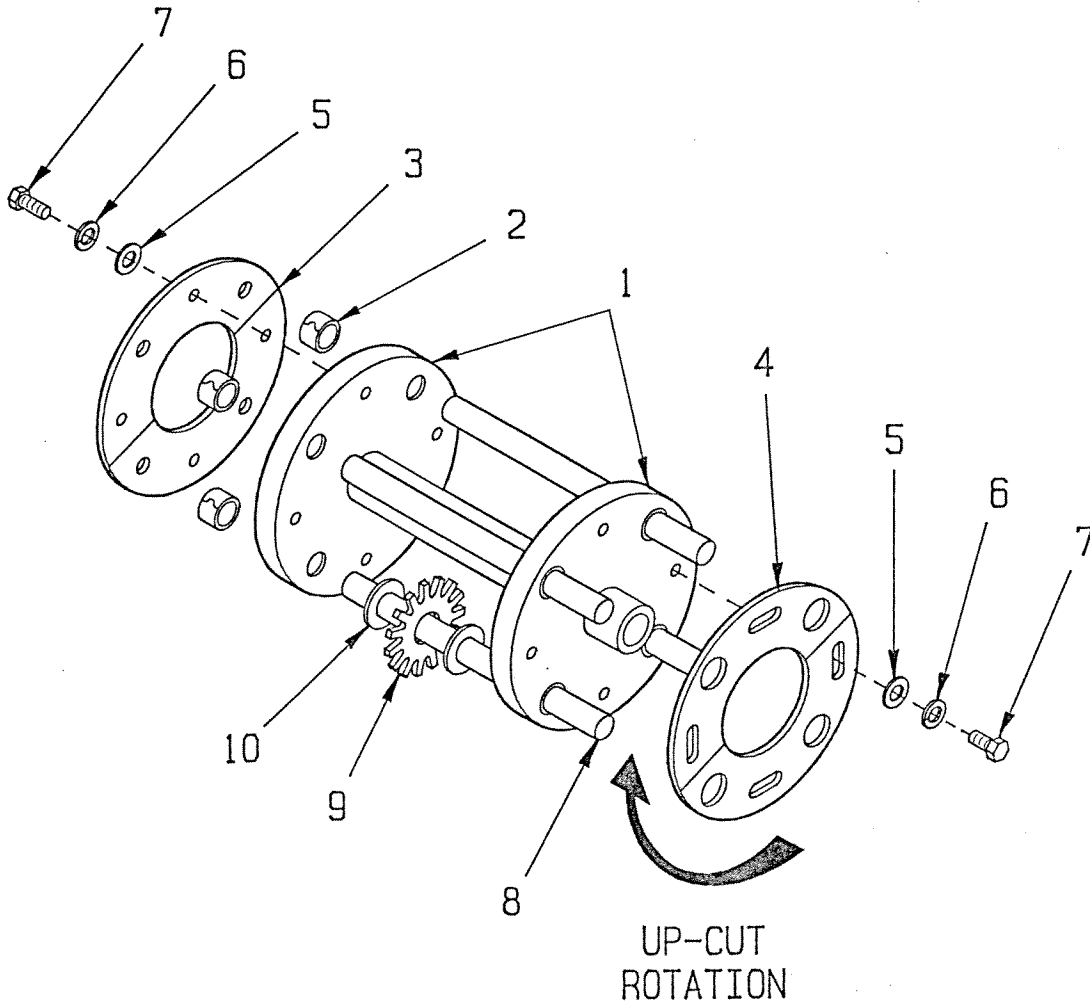
100 THOMAS JOHNSON DRIVE, FREDERICK, MARYLAND 21702-4305 USA

301-663-1600

TOLL FREE 1-800-638-3326

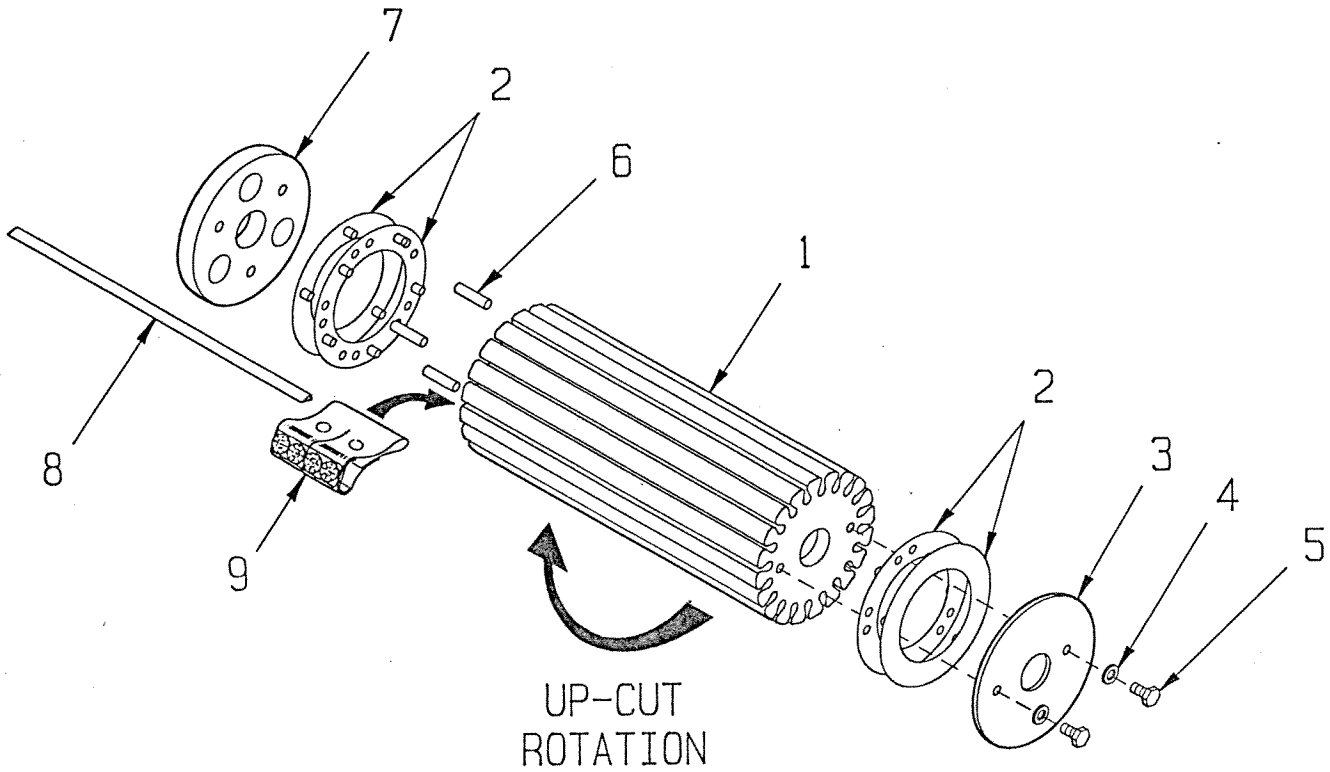
FAX 301-663-1607

# CUTTER WHEEL DRUM ASSEMBLY



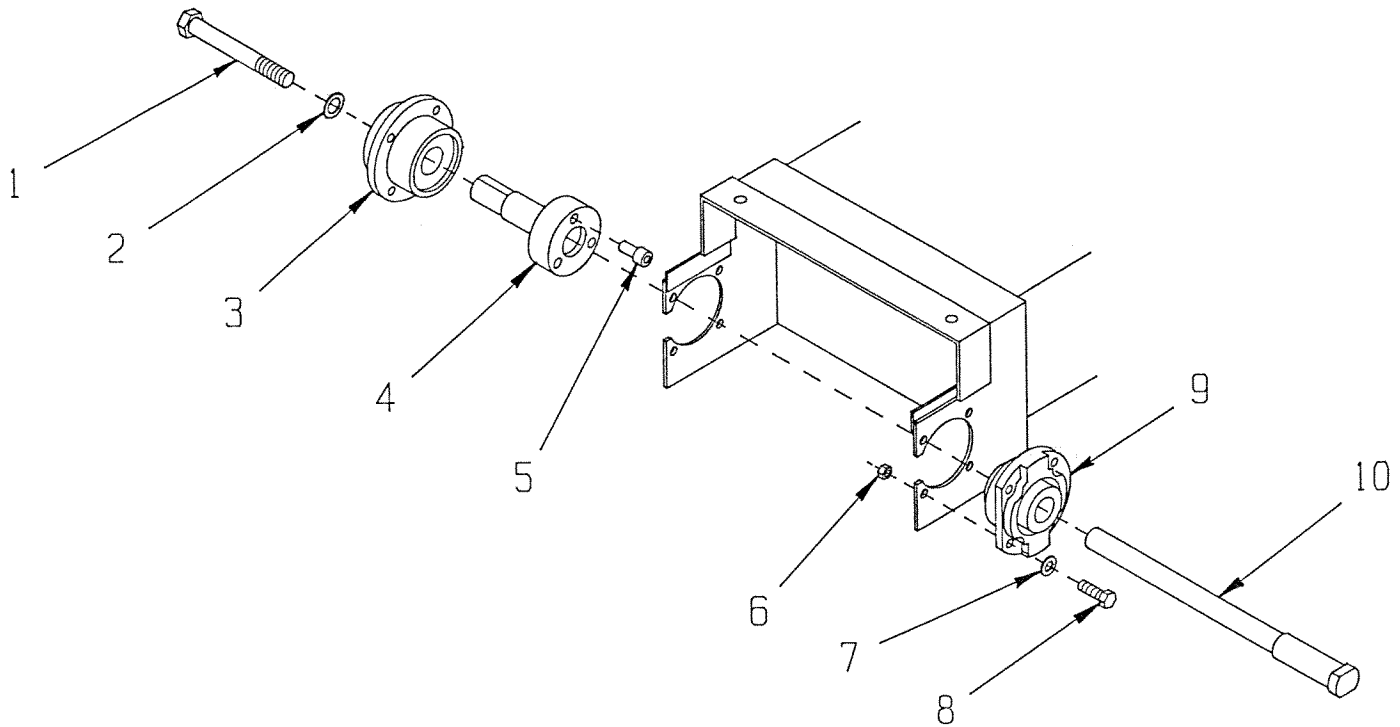
Item #	Part #	Description	Qty.
1-7.	64201	Drum Assembly (Items 1 thru 7)	
1.	64202	Drum Only, Cutter 8-1/2" Wide	1
2.	84063	Bushing, Cutter Shaft	8
3.	84065	Retaining Plate (2-Halves)	1
4.	84064	Locking Plate (2-Halves)	1
5.	10025	Washer, Flat 3/8	8
6.	10811	Washer, Lock 3/8	8
7.	10912	Screw, Cap 3/8-16 x 7/8	8
8.	20140	CP-408 Cutter Shaft 9-7/8"L	4
9.	20086	CP-405 Cutter Wheel, 3" Steel	
or	20076	CP-404 Cutter Wheel, 2-3/8" Steel	
or	20066	CP-405T Cutter Wheel, 3" Carbide (Other types and sizes available)	
10.	20060	CP-403 Spacer	

# ROTO-PEEN FLAP DRUM ASSEMBLY



Item #	Part #	Description	Qty.
1-8.	64101	Drum Assembly (Items 1 thru 8)	
1.	64102	Drum, Roto-Peen Flap	1
2.	25050	Spacer Ring Set (#1 & 2)	2
3.	64103	End Flange Plate	1
4.	10038	Washer, Lock 1/4	2
5.	10834	Screw, Cap 1/4-20 x 1/2	2
6.	10037	Pin, Roll 1/4 x 1-1/2	3
7.	64104	End Flange Disc	1
8.	25040	Keeper Strip	20
9.	25020	Flap 2 inch (Shown)	
	25010	Flap 1 inch (Not Shown)	
	25030	Spacer Strip 11" (Not Shown) Optional Cut to size for spacing flaps	

# DRUM AXLE AND BEARINGS ASSEMBLY



Item #	Part #	Description	Qty.
1.	10488	Screw, Cap 3/4-10 x 6	1
2.	10489	Washer, Lock 3/4	1
3.	64150	Bearing Assembly (Includes the following)	
	64151	Housing, Bearing	1
	64152	Bearing, Roller 35mm x 72mm	2
	64153	Spacer, Bearing Center	1
	64154	Snap Ring, Internal 2-13/16"	2
4.	64155	Drive Hub W/ Shaft	1
5.	10490	Screw, Skt. Hd. 1/2-13 x 1	3
6.	10004	Nut, Lock 3/8-24	8
7.	10025	Washer, Flat 3/8	4
8.	10309	Screw, Cap 3/8-24 x 1-1/4	8
9.	84082R	Bearing, Roller 1-1/4 Pilot	1
10.	64157	Axle Shaft, Drum	1