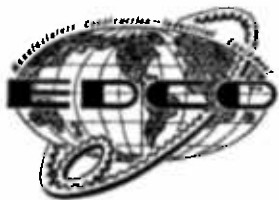
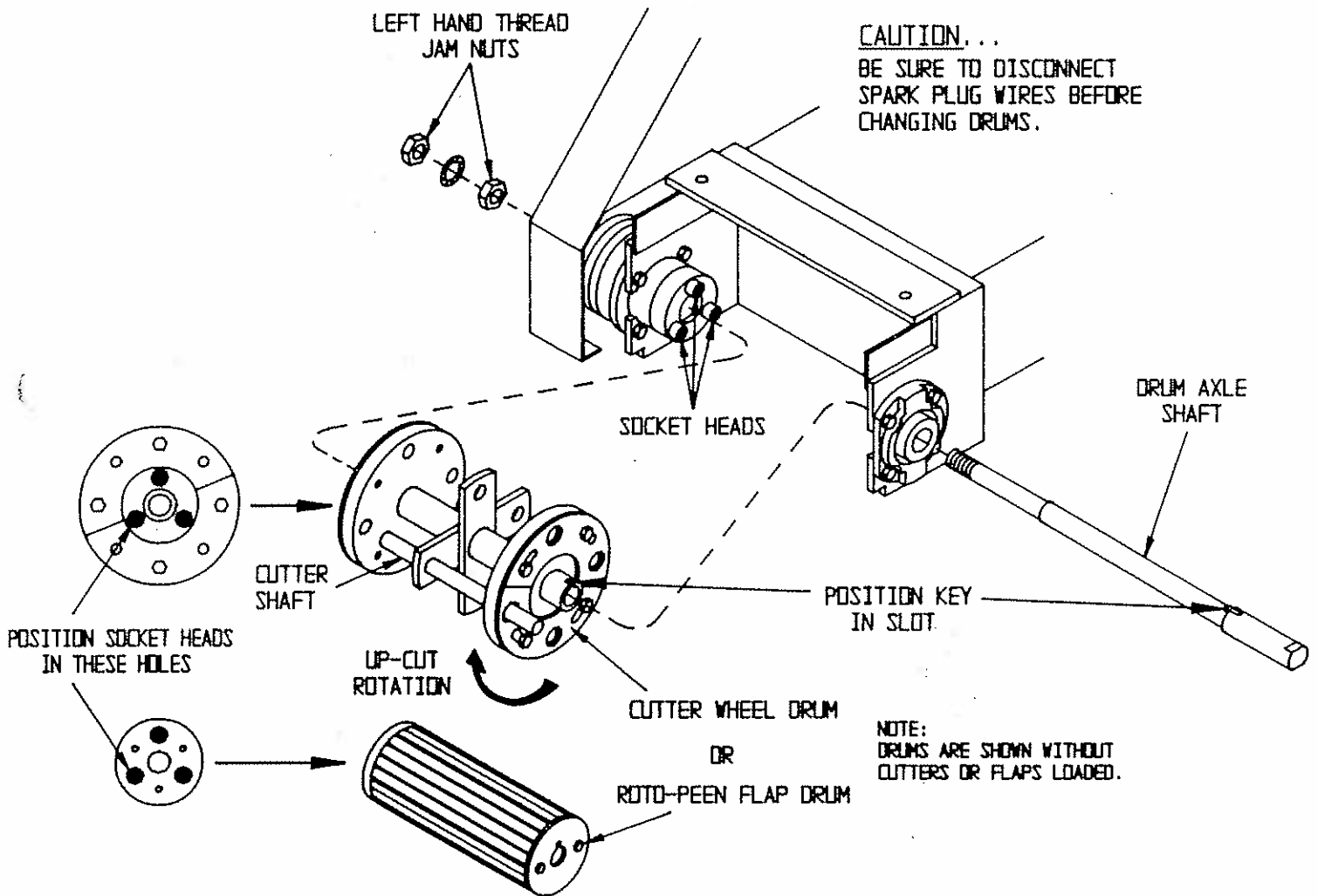


PARTS LIST ADDENDUM

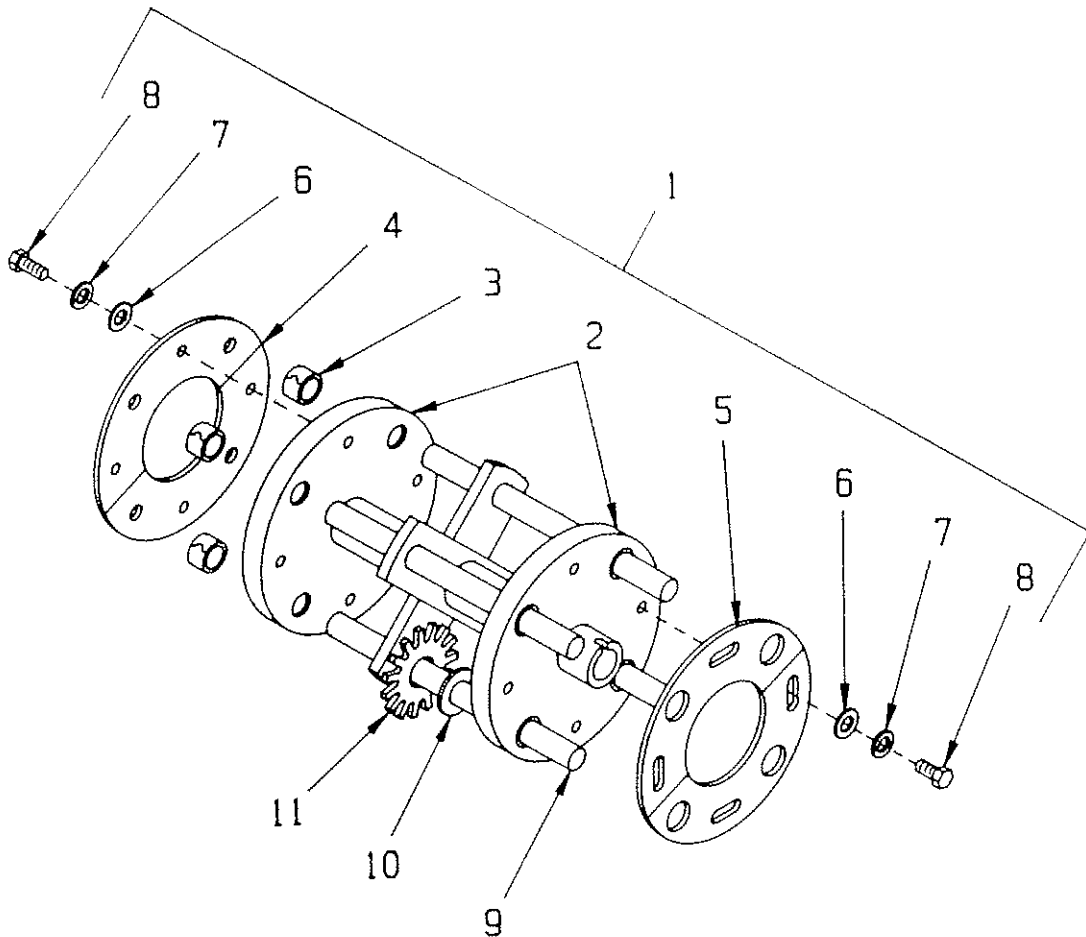
REVISED 5-1-92

Model CPU-10-C CUTTER & ROTO-PEEN DRUM CONVERTIBLE HEAD SYSTEM



EQUIPMENT DEVELOPMENT COMPANY, INC.
100 THOMAS JOHNSON DRIVE, FREDERICK, MARYLAND 21702-4305 USA
301-663-1600 TOLL FREE 1-800-638-3326 FAX 301-663-1607

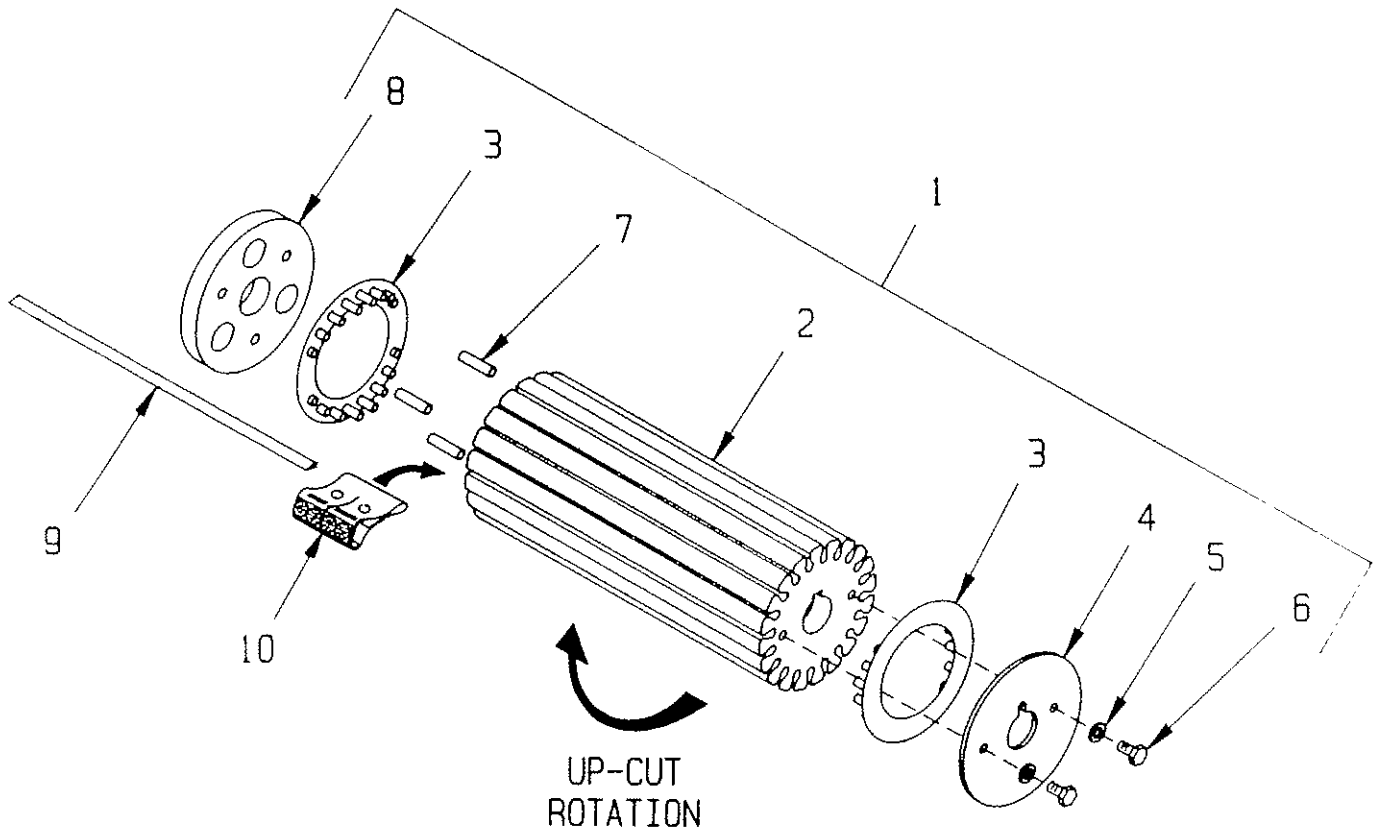
CUTTER WHEEL DRUM ASSEMBLY



Item #	Part #	Description	Qty.
1	64201	Drum Assembly Complete, Cutter (Includes Items 2 thru 8)	
2	64202	Drum Only, Cutter	1
3	84063	Bushing, Drum	8
4	84065	Retaining Plate (2-Halves)	1
5	84064	Locking Plate (2-Halves)	1
6	10025	Washer, Flat 3/8	8
7	10811	Washer, Lock 3/8	8
8	10912	Screw, Cap 3/8-16 x 7/8	8
9	20140	CP408 Shaft 9-7/8"L	4
10	20060	CP403 Spacer	*
11		Cutter Wheel	*
	20076	CP404 2-3/8" Flat Tooth	
	20046	CP404P 2-3/8" Pointed Tooth	
	20086	CP405 3" Flat Tooth	
	20056	CP405P 3" Pointed Tooth	
	20066	CP405T 3" Carbide	
	20096	CP415T 3-1/4" x 3/4 Carbide	

* NOTE: Number of cutter wheels and spacers vary with the type of set-up used.

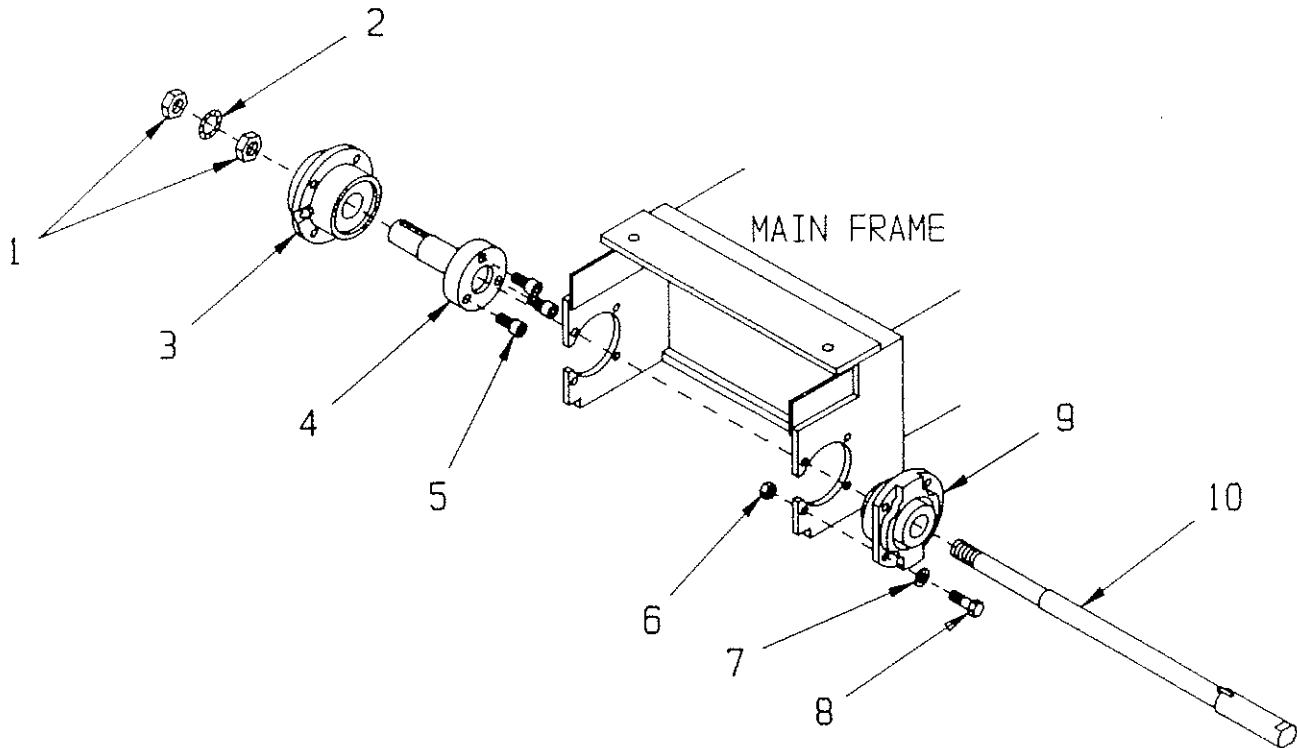
ROTO-PEEN FLAP HUB ASSEMBLY



Item #	Part #	Description	Qty.
1	64101	Hub Assy. Complete, Roto-Peen (Includes Items 2 thru 9)	
2	64102	Hub Only 10-1/2"	1
3	25060	Spacer Ring	2
4	64103	End Flange Plate	1
5	10038	Washer, Lock 1/4	2
6	10834	Screw, Cap 1/4-20 x 1/2	2
7	10037	Pin, Roll 1/4 x 1-1/2	3
8	64104	End Flange Disc	1
9	25040	Keeper Strip 10"	20
10		Roto-Peen Flap (2" Shown)	*
	25020	2" Type B	
	25021	2" Type C	
	25022	2" Type D	
	25010	1" Type B	
	25011	1" Type C	
	25012	1" Type D	

* NOTE: Number of flaps vary with type of set-up used.
Flaps are not included with hub assembly.

DRUM AXLE AND BEARINGS ASSEMBLY



Item #	Part #	Description	Qty.
1	10445	Nut, Jam 7/8-9 Left Hand Thread	2
2	64158	Washer, Int. Tooth 7/8	1
3	64150	Bearing Assembly (Includes the following parts)	1
	64151	Housing, Bearing	1
	64152	Bearing, Roller 35mm x 72mm	2
	64153	Spacer, Bearing Center	1
	64154	Snap Ring, Internal 2-13/16"	2
	10953	Grease Fitting 1/8 NPT	1
* 4	64155B	Drive Hub W/ Shaft	1
5	10490	Screw, Skt. Hd. 1/2-13 x 1	3
6	10004	Nut, Lock 3/8-24	8
7	10025	Washer, Flat 3/8	8
8	10309	Screw, Cap 3/8-24 x 1-1/4	8
9	84082R	Bearing, Roller 1-1/4 Pilot	1
10	64157B	Drum Axle Shaft	1

* NOTE: Drive Hub W/ Shaft is pressed in bearing assembly.