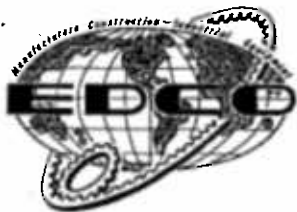
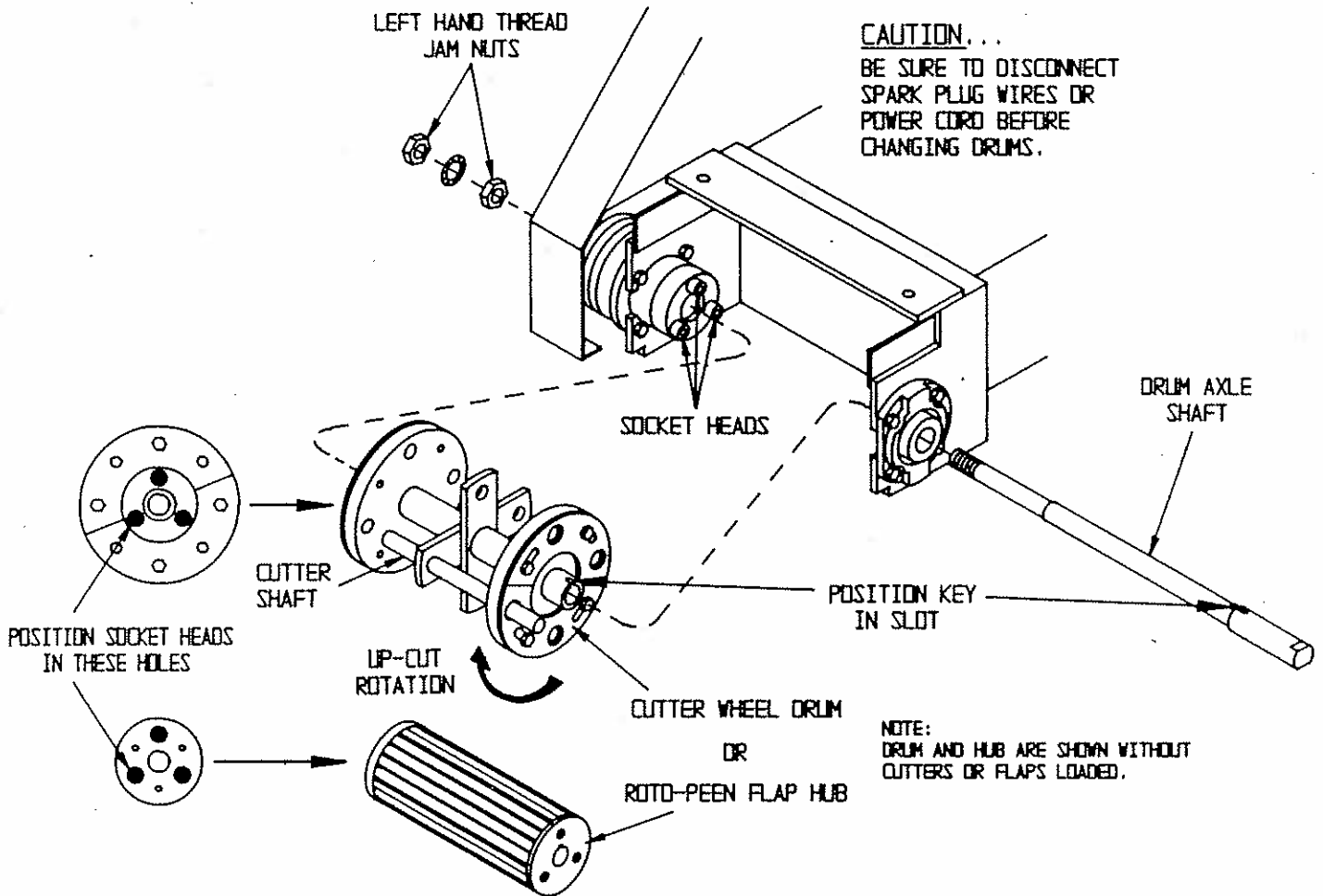


PARTS LIST ADDENDUM

REVISED OCT. 1993

Model CPU-10-C
CONVERTIBLE HEAD SYSTEM



EQUIPMENT DEVELOPMENT COMPANY, INC.

100 THOMAS JOHNSON DRIVE, FREDERICK, MARYLAND 21702-4305 USA

PHONE (301)663-1600

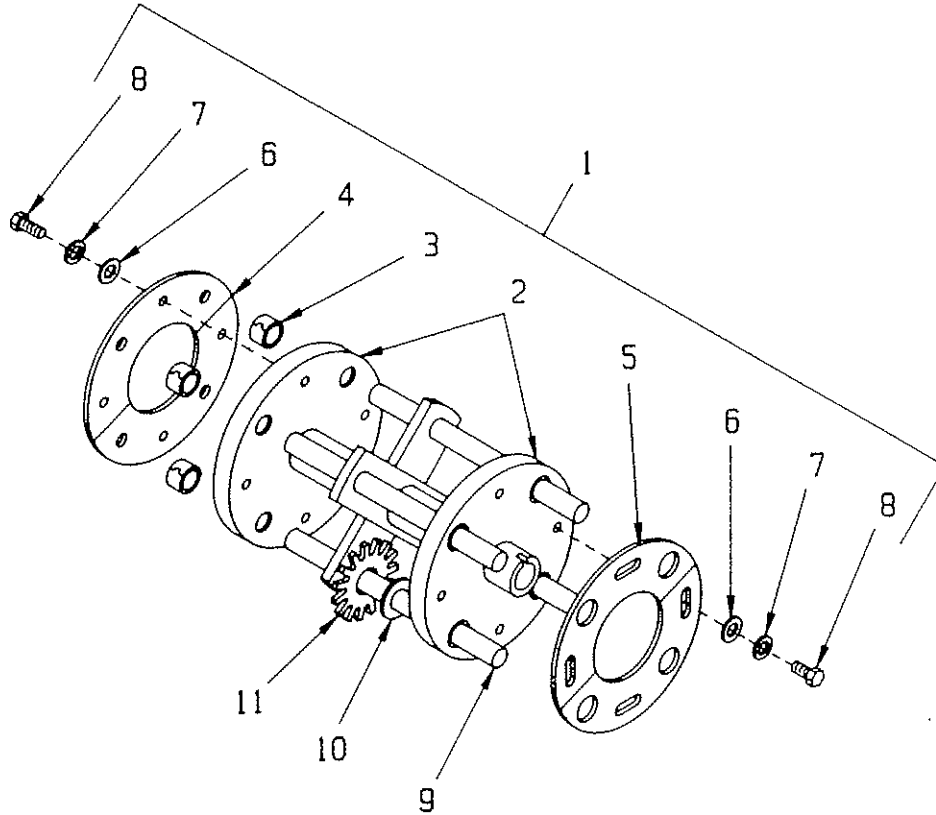
TOLL FREE 1-800-638-3326

FAX (301)663-1607

FAX FREE 1-800-447-3326

PRINTED IN U.S.A.

CUTTER WHEEL DRUM ASSEMBLY

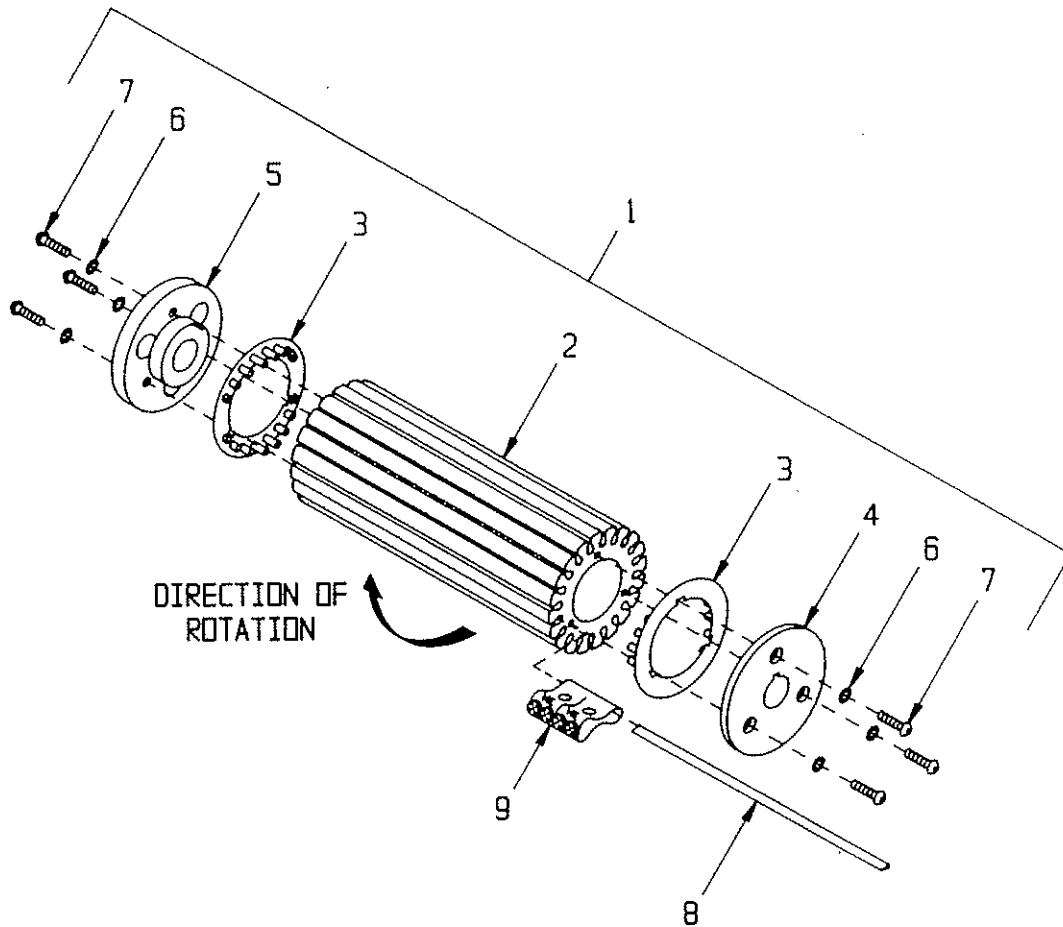


Item #	Part #	Description	Qty.
1	64201	Drum Assembly Complete, Cutter (Includes Items 2 thru 8)	
2	64202	Drum Only, Cutter	1
3	84063	Bushing, Hardened Steel, 3/4"ID	8
4	84065	Retaining Plate (2-Halves)	1
5	84064	Locking Plate (2-Halves)	1
6	10025	Washer, Flat 3/8	8
7	10811	Washer, Lock 3/8	8
8	10912	Screw, Cap 3/8-16 x 7/8	8
9	20140	CP408 Shaft 9-7/8"L	4
10	20060	CP403 Spacer 1-1/2"OD x 3/4"ID	*
11		Cutter Wheel	*
	20076	CP404 2-3/8" Flat Tooth	
	20046	CP404P 2-3/8" Pointed Tooth	
	20086	CP405 3" Flat Tooth	
	20056	CP405P 3" Pointed Tooth	
	20066	CP405T 3" Carbide	
	20096	CP415T 3-1/4" x 3/4 Carbide	

*** NOTE:**

Cutter Wheels, Spacers, and Shafts are not included with Drum Assembly.
The number of Cutter Wheels and Spacers vary with type of set-up used.
Refer to Assembly Instructions for suggested set-ups and quantities.

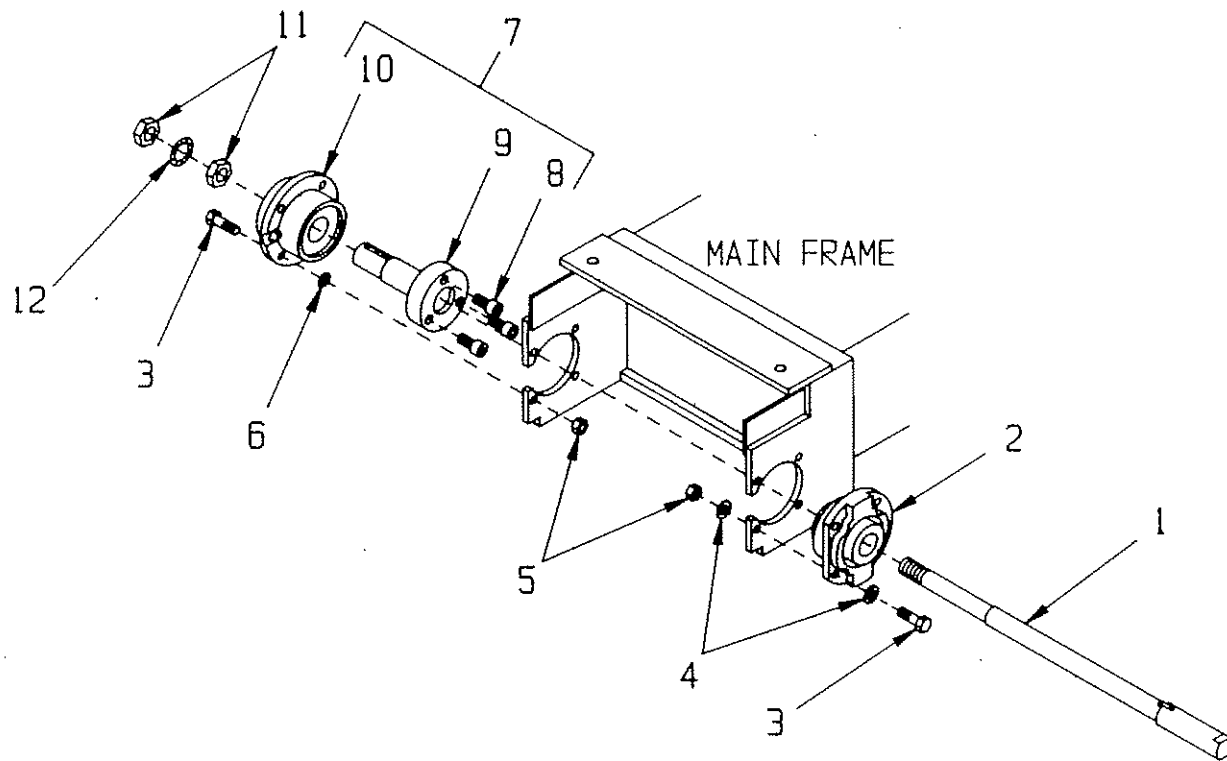
ROTO-PEEN FLAP HUB ASSEMBLY



Item	Part #	Description	Qty.
1	64101	Hub Assembly Complete, Roto-Peen (Includes Items 2 thru 8)	1
2	64105	Hub Only 10-1/2"	2/SET
3	25060	Spacer Ring	1
4	64107	Flange, End Cap	1
5	64106	Flange, Driver	6
6	10451	Washer, Internal Tooth 1/4	6
7	10871	Screw, Skt. Button Hd. 1/4-20 x 1	20/SET
8	25040	Keeper Strip 10"	*
9		Roto-Peen Flap (2" Shown)	
	25020	2" Type B	
	25021	2" Type C	
	25022	2" Type D	
	25010	1" Type B	
	25011	1" Type C	
	25012	1" Type D	

* NOTE:
Flaps are not included with Hub Assembly.
Number of flaps vary with type of set-up used.
Refer to Assembly Instructions for suggested
flap types and quantities.

DRUM AXLE AND BEARINGS ASSEMBLY



Item #	Part #	Description	Qty.
1	64157B	Axle Shaft, Drum 22-3/8"L	1
2	84082R	Bearing, Roller 1-1/4 Pilot	1
3	10816	Screw, Cap 3/8-24 x 1-1/2	8
4	10025	Washer, Flat 3/8	8
5	10152	Nut, Hex Nylon Lock 3/8-24	8
6	64159	Shim 3/8"ID x 5/8"OD x .031"Thk. (Note: Used when required.)	2
7	64160	Bearing & Driver Assembly (Includes Items 8, 9, & 10)	
8	10490	Screw, Skt. Hd. 1/2-13 x 1	3
9	64155B	Hub W/ Shaft, Driver (Note: Pressed fit in Bearing Assy.)	1
10	64150	Bearing Assembly (Includes the following parts.)	1
	64151	Housing, Bearing	1
	64152	Bearing, Roller 35mm x 72mm x 23mm	2
	64153	Spacer, Bearing Center	1
	64154	Retaining Ring, Internal 2-13/16"	2
	10953	Fitting, Grease, 1/8 NPT Straight	1
11	10445	Nut, Jam 7/8-9 Left Hand Thread	2
12	64158	Washer, Int. Tooth 7/8	1