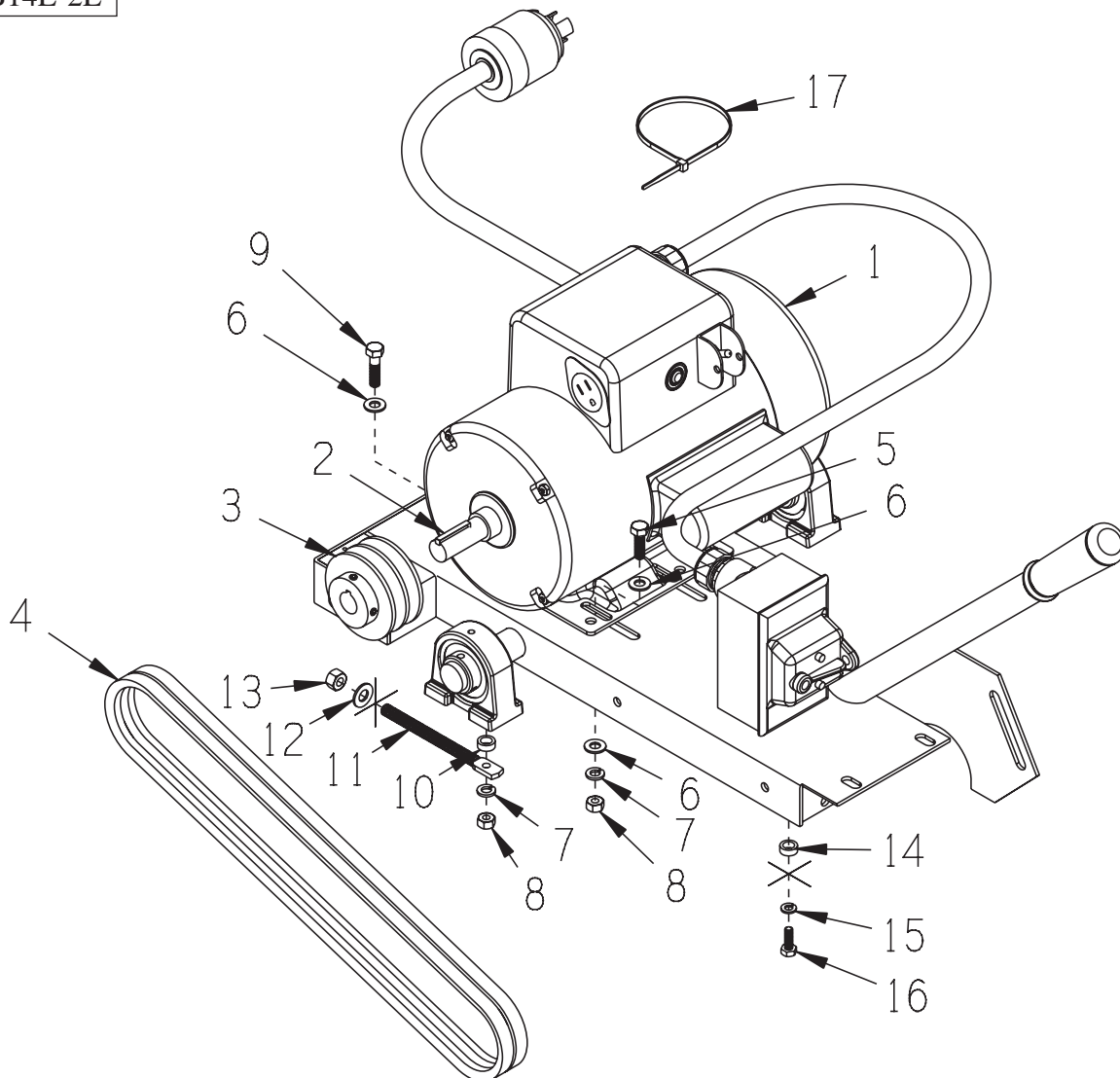


SKU# 22400  
MODEL BB14E-2L

2HP MOTOR GROUPING

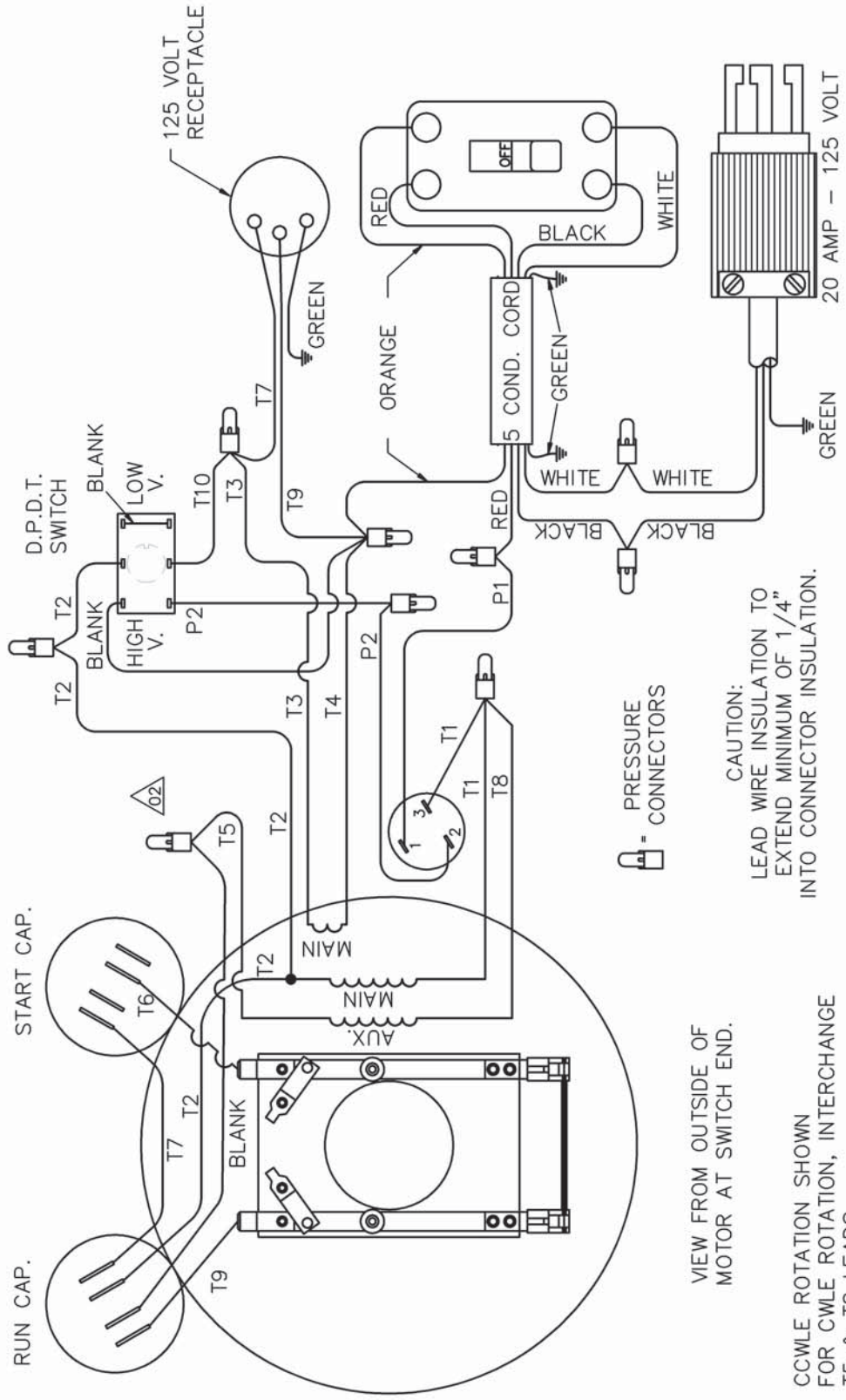


ITEM#	PART#	DESCRIPTION	QTY.
1	16007	MOTOR, LEESON 2HP-1PH-60HZ-3450RPM	1
		<i>REPLACEMENT PARTS:</i>	
	16170	SWITCH BOX W/ CORD, LEESON	
	77018	SWITCH ONLY, MOTOR STARTING DP 1PH	
	77027C	SWITCH BOX COVER ONLY W/ GASKET	
2	10060	KEY 3/16 SQ X 1-1/4	1
3	40005	SHEAVE 3"OD X 2 GR.A X 3/4"BORE	1
4	50018	BELT AX-38	2
5	10806	SCREW, CAP 5/16-18 X 1	3
6	10213	WASHER, FLAT 5/16 SAE	7
7	10801	WASHER, LOCK 5/16	4
8	10054	NUT 5/16-18	4
9	10606	SCREW, CAP 5/16-18 X 1-1/4	1
10	10113	SPACER, STEEL 9/16OD X 3/8ID X 7/32	1
11	10845	BOLT, SPADE 3/8-16 X 4-1/8	1
12	10025	WASHER, FLAT 3/8 SAE	1
13	10404	NUT 3/8-16	1
14	10113	SPACER, STEEL 9/16OD X 3/8ID X 7/32	2
15	10038	WASHER, LOCK 1/4	2
16	10031	SCREW, CAP 1/4-20 X 1	2
17	10982	TIE, CABLE, BLACK NYLON 11-1/4"	2



100 Thomas Johnson Drive, Frederick, MD 21702-4600 USA  
Phone (301) 663-1600 • 1-800-638-3326  
Fax (301) 663-1607 • 1-800-447-3326  
Website: www.edcoinc.com • Email: sales@edcoinc.com

Printed in USA  
©2007



**LEESON ELECTRIC CORPORATION**

DRAWN	KMM 01/17/95	TITLE	EXTERNAL WIRING DIAGRAM
CHK'D.	KAZ 1/18/95	MAT'L.	RECEPTACLE & VOLT. CHG. SW.
APPR.	KH 1/18/95	SCALE	1=2
REF.	PAGE 7	FINISH	EDCO
FMF	114593	SIZE	A
		DRAWING NO.	005225 PG.8

TOLERANCES UNLESS OTHERWISE SPECIFIED	
DECIMALS	.00 ± .01
FRACTIONS	± 1/64
ANGLES	± 1/2°
INCH/MM	

NO.	REVISION	BY	DATE
02	MOVED T5 CONN FROM RUN CAP TO INSIDE OF CONDUIT BOX AS PER C.N. 114593	SAW	04/17/96
01	BLANK LEADS WERE BLACK, T9 LEAD ON OUTLET WAS T8 PER C.N. EFF. IMMED.	PTZ	5/9/95

THIS DRAWING IN DESIGN AND DETAIL IS OUR PROPERTY AND MUST NOT BE USED EXCEPT IN CONNECTION WITH OUR WORK ALL RIGHTS OF DESIGN AND INVENTION ARE RESERVED

VIEW FROM OUTSIDE OF MOTOR AT SWITCH END.  
 CCWLE ROTATION SHOWN FOR CWLE ROTATION, INTERCHANGE T5 & T8 LEADS.

CAUTION:  
 LEAD WIRE INSULATION TO EXTEND MINIMUM OF 1/4" INTO CONNECTOR INSULATION.

⏏ - PRESSURE CONNECTORS

