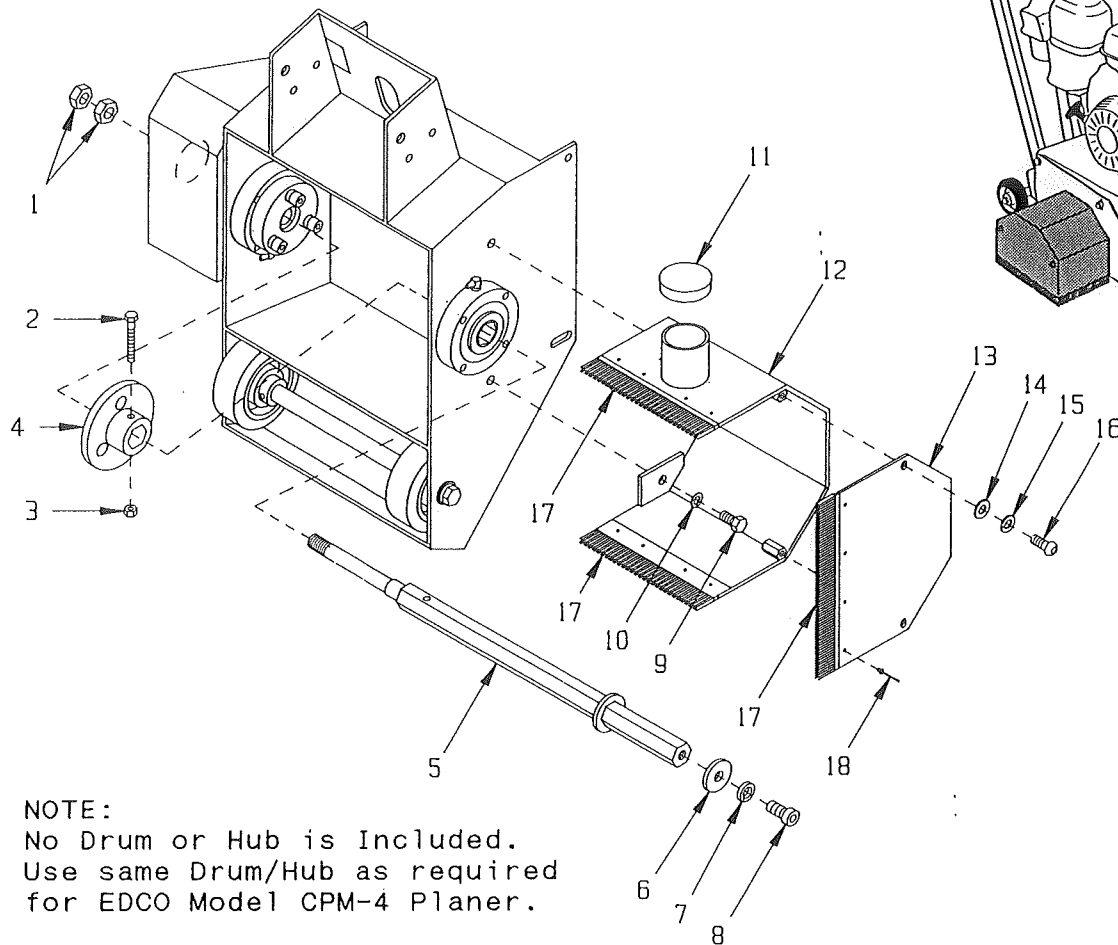


# Model CPM-8 OPTIONAL EDGER ASSEMBLY

(ORDER PART NO. 65027)

FEB. '94



**NOTE:**  
No Drum or Hub is Included.  
Use same Drum/Hub as required  
for EDCO Model CPM-4 Planer.

Item #	Part #	Description	Qty.
1	65039	Nut, Jam 5/8-11 Left-Hand Thread	2
2	11517	Screw, Cap 5/16-18 x 2-1/8	1
3	10807	Nut, Lock 5/16-18	1
4	65026	Flange, Driver	1
5	65025	Shaft, Edger Drum/Hub	1
6	C66011	Washer, Drum Retaining	1
7	10420	Washer, Lock 1/2 Heavy-Duty	1
8	10419	Screw, Skt. Hd. Cap 1/2-13 x 1	1
9	10907	Screw, Cap 3/8-16 x 3/4	2
10	10811	Washer, Lock 3/8	2
11	65021	Plug, Cap 2"	1
12	65023	Cover Assembly with Brushes	1
13	65024	Cover Side Access Panel with Brush	1
14	10213	Washer, Flat 5/16	2
15	10801	Washer, Lock 5/16	2
16	10627	Screw, Skt. Button Hd. 5/16-18 x 3/4	2
17	65029	Brushes (Set of 3)	1
18	10128	Rivet, Pop 1/8 x 1/4	12

## EQUIPMENT DEVELOPMENT COMPANY, INC.

100 THOMAS JOHNSON DRIVE, FREDERICK, MARYLAND 21702-4305 USA  
 PHONE (301)663-1600 TOLL FREE 1-800-638-3326  
 FAX (301)663-1607 FAX FREE 1-800-447-3326