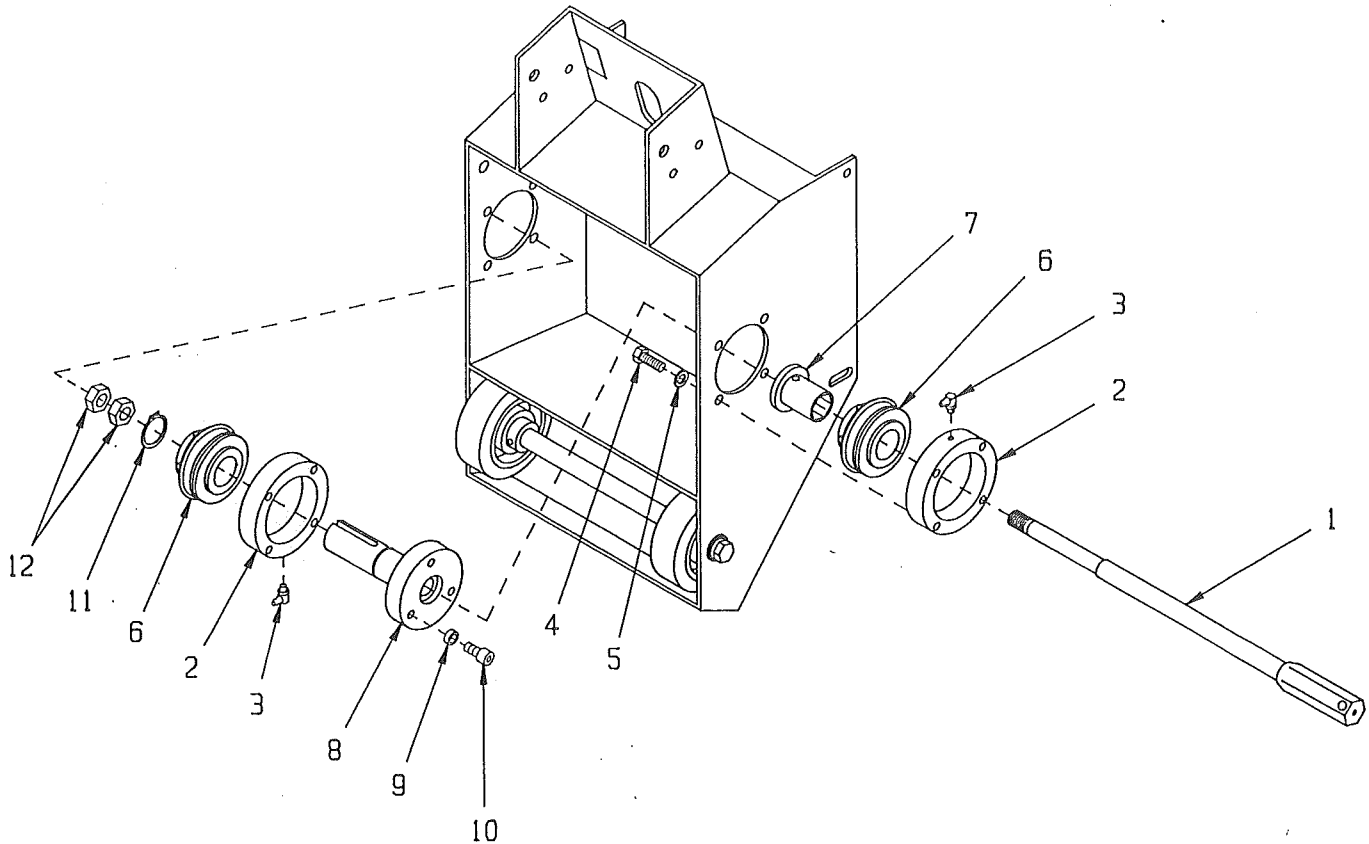


PARTS LIST REVISION

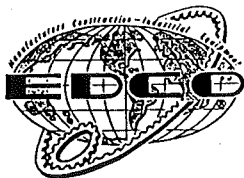
NOV. 1993

ILLUSTRATION 4: DRUM AXLE AND BEARINGS

(EFFECTIVE SERIAL NUMBER 9353 AND UP)



Item #	Part #	Description	Qty.
1	65037	Drum/Hub Shaft	1
2	65031	Retainer, Bearing	2
3	10961	Fitting, Grease 1/4-28 x 90°	2
4	10021	Screw, Cap 3/8-24 x 1	8
5	10811	Washer, Lock 3/8	8
6	65030	Bearing, Ball 1-1/4" W/ Snap Ring	2
7	65033	Bushing, Hex Bore 1"	2
8	65038	Shaft, Driver	1
9	10113	Spacer 9/16"OD x 3/8"ID x 7/32"W	3
10	10859	Screw, Skt. Hd. Cap 3/8-24 x 3/4	3
11	10873	Retaining Ring, Ext. 1-1/4	1
12	65039	Nut, Jam 5/8-11 Left-Hand Thread	2



EQUIPMENT DEVELOPMENT COMPANY, INC.

100 THOMAS JOHNSON DRIVE, FREDERICK, MARYLAND 21702-4305 USA
 301-663-1600 TOLL FREE 1-800-638-3326 FAX 301-663-1607