

PART # 65135 STARTER SYSTEM KIT

1-BOX TO 2-BOX CONVERSION

FOR

Model CPM8 5HP 230V 1-PHASE WALK BEHIND SCARIFIER

This Kit is for units without the Thermal Overload Reset on the Motor. It converts the 1-Box Lovato Starter with the Start and Stop Buttons to the 2-Box ACI Reset Starter and a Remote Switch Box that has a Off/On Lever Switch and a Emergency Stop Button.

PARTS LIST AND WIRING DIAGRAM

TABLE OF CONTENTS

	<u>Page</u>
Illustration for 2-Box System	2
Parts Listing	3
Wiring Diagram	4 (Back Page)



A Division of Equipment Development Company, Inc.

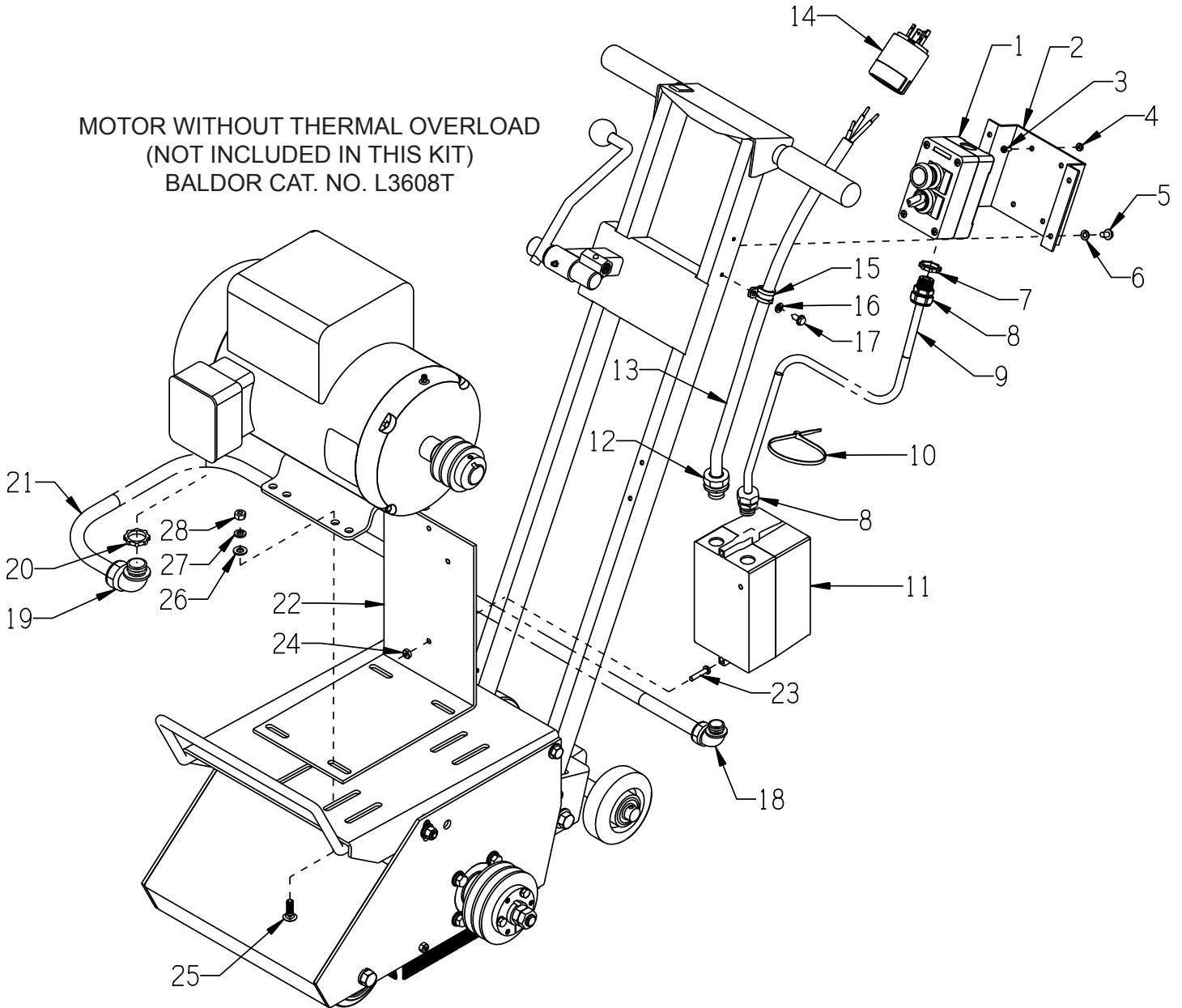
100 Thomas Johnson Drive, Frederick, MD 21702-4600 USA
 Phone (301) 663-1600 • 1-800-638-3326
 Fax (301) 663-1607 • 1-800-447-3326
 Website: www.edcoinc.com
 Email: sales@edcoinc.com

Printed in USA

JWA ©2012

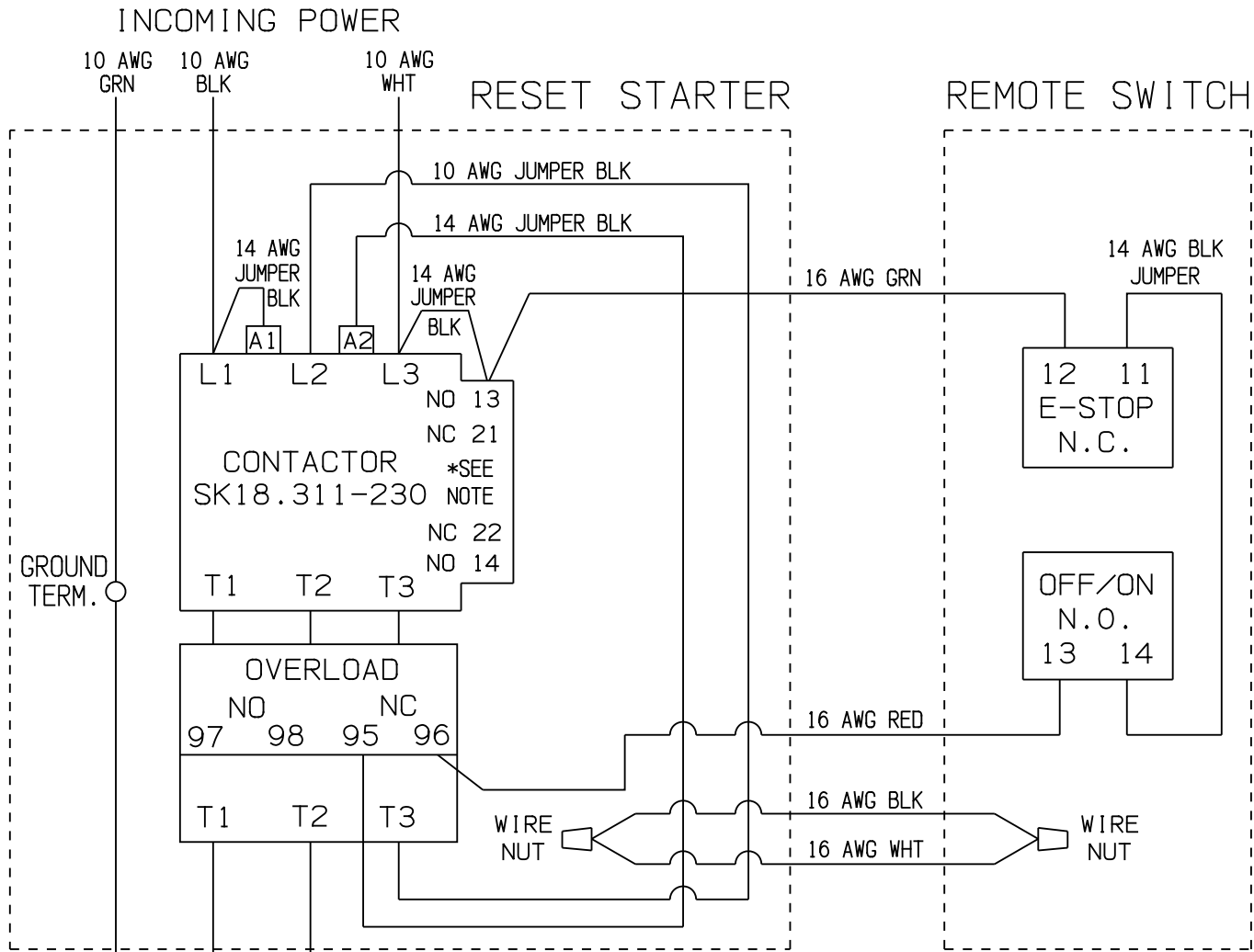
ILLUSTRATION FOR 2-BOX SYSTEM

MOTOR WITHOUT THERMAL OVERLOAD
(NOT INCLUDED IN THIS KIT)
BALDOR CAT. NO. L3608T



PARTS LISTING FOR 65135 2-BOX SYSTEM			
ITEM #	PART #	DESCRIPTION	QTY.
1	16660	SWITCH BOX COMPLETE, ON/OFF/E-STOP INCLUDES:	1
	16661	ENCLOSURE, 2 HOLE ACI PBE2	1
	16662	LEGEND PLATE, EMER.STOP - BLACK	1
	16663	LEGEND PLATE, OFF/ON	1
	16664	MUSHROOM BUTTON, RED JR22GN11R	1
	16665	KNOB TYPE SELECTOR SWITCH, BLACK	1
2	65088	BRACKET, REMOTE SWITCH, CPM-8	1
3	11663	SCREW, MACHINE 8-32 X 1/2	4
4	10462	NUT, KEPS LOCK 8-32 ZINC	4
5	10846	SCREW, CAP STSHW 1/4-20 X 1/2	4
6	10038	WASHER, LOCK 1/4 ZINC	4
7	10790	CONDUIT LOCK NUT 1/2 NP (LOC. INSIDE BOX)	1
8	40066	STRAIN RELIEF 1/2NPT X .350-.450"	2
9	65106	WIRE HARNESS 16/4 X 48"LOA	1
10	10982	TIE, CABLE, BLACK NYLON 11-1/4"	3
11	16454	STARTER ACI #128827 REPLACEMENT PARTS:	1
	16617	STARTER CONT./COIL ACI SK18.310-230	1
	16622	STARTER AC COIL 200/240V-60HZ	1
	16637	STARTER OVERLOAD RELAY 17.5-21.5A	1
12	41053	STRAIN RELIEF 1/2NPT X .625-.750"	1
13	65104	WIRE HARNESS 10/3 X 48"LOA, CPM-8	1
14	40037	PLUG, LOCKING 20A/250V L6-20P	1
15	11565	CLAMP, LOOM, 5/8" (SAE SIZE 10)	1
16	10831	WASHER, LOCK, INT. TOOTH #10	1
17	10877	SCREW, CAP STSHW 10-24 X 1/2	1
18	11621	STRAIN RELIEF 1/2"90D X .625-.750"	1
19	10984	STAIN RELIEF 90D X 3/4NPT .65-.75	1
20	10740	CONDUIT LOCK NUT 3/4 NP (LOC. INSIDE BOX)	1
21	65107	WIRE HARNESS 10/3 X 28"LOA, CPM-8	1
22	65087	MOUNT, STARTER	1
23	11732	SCREW, MACHINE 10-32 X 1-3/4 RPH	2
	10384	SCREW, MACHINE 10-32 X 1 RHP	1
24	10832	NUT, KEPS LOCK 10-32 ZINC	3
25	10820	BOLT, CARRIAGE 5/16-18 X 1-1/4 F.T.	4
26	10213	WASHER, FLAT 5/16 SAE ZINC	4
27	10801	WASHER, LOCK 5/16 ZINC	4
28	10054	NUT, HEX 5/16-18 ZINC	4

WIRING DIAGRAM FOR 2-BOX SYSTEM



***NOTE:**
 TERMINAL 21 IS LOCATED ON TOP.
 BE SURE THE WIRES ARE CONNECTED
 TO TERMINAL 13 WHICH IS BELOW 21.

COLOR CODES	
BLK	= BLACK
GRN	= GREEN
RED	= RED
WHT	= WHITE

65135 Starter System Kit 1-Box to 2-Box Conversion

Installation Instructions

1. Remove. belt cover.
2. Loosen motor mount and remove belts.
3. Unbolt motor and set aside.
4. Disconnect cord from motor.
5. Remove old switch box and wiring and discard.
6. Reinstall motor with starter mount, #22, sandwiched between motor and mount as shown in diagram.
7. Use longer bolts, #25, supplied.
8. Route wiring along handle leg to get remote switch box up into opening at top of handle.
9. Align bracket, #2, on the back legs of handle and drill 4 mounting holes. Drill size is 7/32".
10. Mount remote switch with 1/4-20 self tapping screws.
11. Secure wiring as shown in diagram.
12. Rewire motor. Use connection diagram on page 4, bottom left.
13. Install belts. Align & tighten motor and mount.
14. Install belt cover.
15. Test

Remember to disconnect machine from power source during installation.