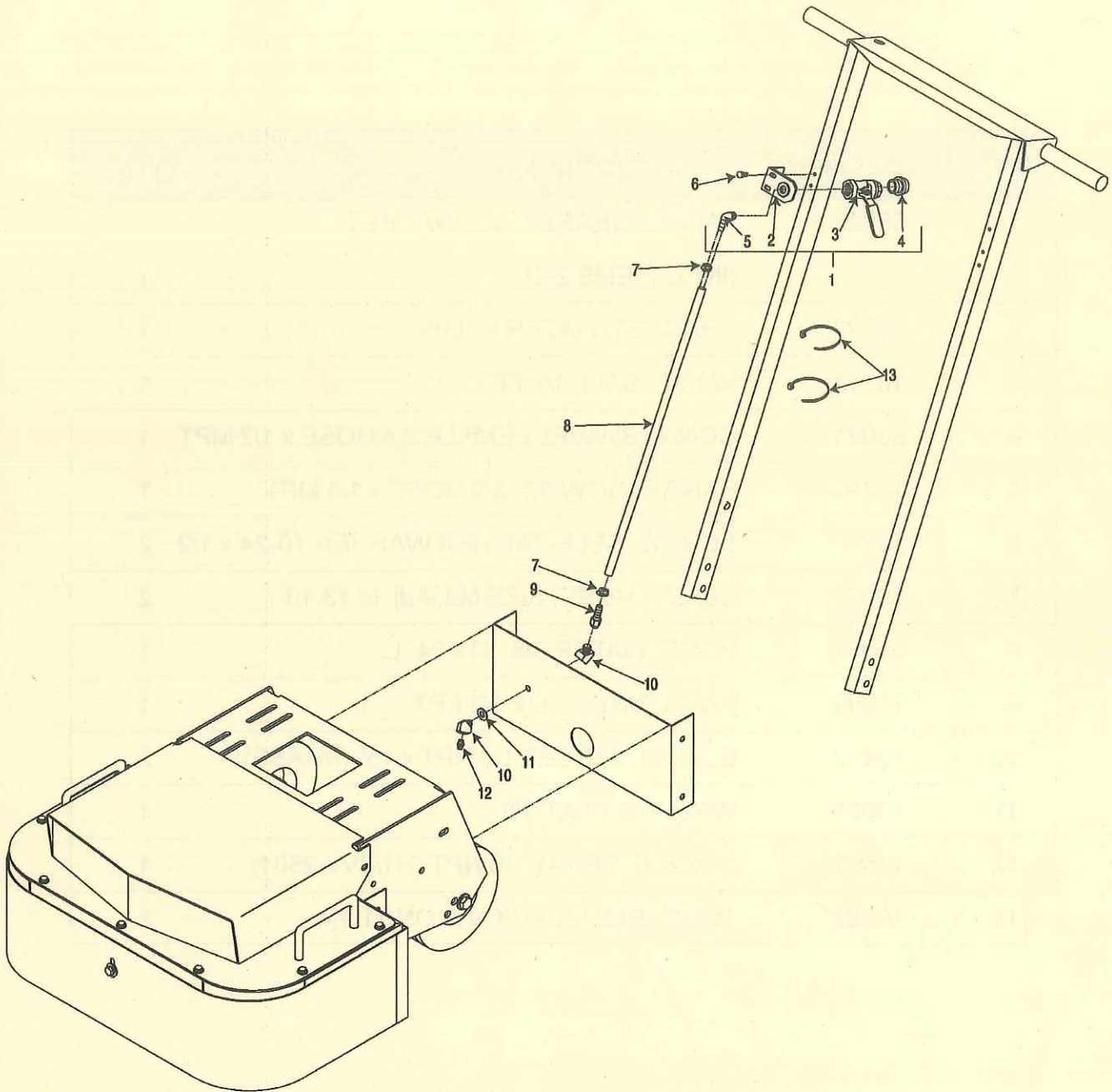


Starting Serial No. 23107

# PARTS LIST ADDENDUM



## 2-EC/GC Water Mist System Kit Part No. 77130



100 Thomas Johnson Drive, Frederick, MD 21702-4600 USA  
Phone (301) 663-1600 1-800-638-3326  
Fax (301) 663-1607 1-800-447-3326  
Website: [www.edcoinc.com](http://www.edcoinc.com) Email: [sales@edcoinc.com](mailto:sales@edcoinc.com)

Printed in USA  
©2001

ITEM#	PART#	DESCRIPTION	QTY.
1	56022A	VALVE SUBASSY., w/ BRACKET (INCL. ITEMS 2-5)	1
2	56022	BRACKET, WATER VALVE	1
3	10711	VALVE, BALL 1/2 FPT	1
4	80021	CONN., SWIVEL FEMALE 3/4 HOSE x 1/2 MPT	1
5	10799	BARB ELBOW 90° 3/8 HOSE x 1/4 MPT	1
6	10877	SCREW, SELF-TAP HEX WASHER 10-24 x 1/2	2
7	50069	CLAMP, HOSE, SIZE M6, Adj. to 13/16	2
8	65081	HOSE, WATER 3/8 ID x 34 L	1
9	11595	BARB, 3/8 HOSE x 1/8 FPT	1
10	10772	ELBOW, STREET 1/8 NPT x 45° (BRASS)	2
11	10025	WASHER, FLAT 3/8	1
12	11563	NOZZLE, SPRAY 1/8 NPT (H1/8VV 2501)	1
13	10982	TIE, CABLE, BLACK NYLON 11-1/4	2

