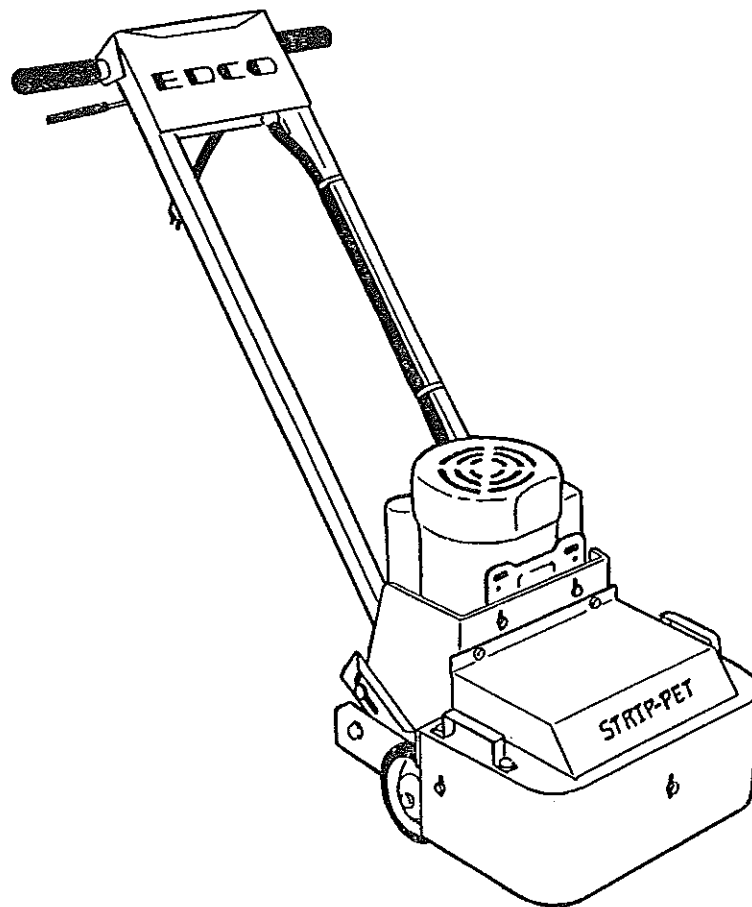


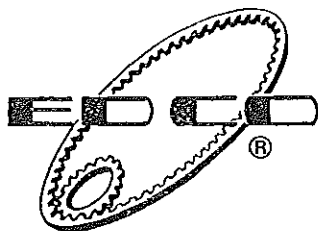
MAY 1, 1991

STRIP-PET™

INSTRUCTIONS AND PARTS LIST



Model ST-PT-2



EQUIPMENT DEVELOPMENT COMPANY, INC.

100 THOMAS JOHNSON DRIVE, FREDERICK, MARYLAND 21702-4305 USA
301-663-1600 TOLL FREE 1-800-638-3326 FAX 301-663-1607

STRIP-PET

Underlayment stripping - Preparing subfloor for installation of new covering. Save preparation time, remove excess mastics, adhesives, rubber or foam backings - strip away felt, paper, jute, etc. Use in kitchens, rec-rooms, bathrooms, patios, basements, balconies - use on wood, plastic or concrete surfaces.

OPERATING PROCEDURES

Remove old floor covering material - we suggest using the EDCO UNI-RAM - 5 foot long, air operated scaler - it eliminates bending or working on your knees - faster than a tile stripper and much more efficient.

STRIP-PET is NOT designed to strip tile, linoleum, or carpet. STRIP-PET will remove the glued-down backing material, adhesives or mastics.

Check surface for protruding nails, inserts, screws or staples - remove or set below floor surface.

USING THE STRIP-PET

The STRIP-PET is built to operate on standard 115 volt AC power. Note - check motor plate for specific electrical specifications and information. STRIP-PET models for use in foreign countries will have electrical motors designed for the country in which they will be used. Always include model number and serial number when inquiring about your STRIP-PET.

The STRIP-PET electric motor is a special, slow speed design, 1 H.P. (13.4 amps). Use on standard 15 amp grounded circuit.

To start - position STRIP-PET on sub-floor surface. A slight pressure down - on the handle will raise cutters from direct contact with floor surface and allow motor to reach operating speed when switch lever ("A") is squeezed. Lower STRIP-PET slowly on to it's operating position and move it across the surface slowly. Always allow the motor to run at full speed - jamming cutters into backing material will cause motor to run slow or stall, overheating will cause circuit breaker to trip eventually burn out will occur.

The weight of STRIP-PET will keep it set at the proper depth. If an exceptionally hard or stubborn deposit is encountered, pushing down on the handle will tilt the cutter assembly up and away from the trouble spot. You can then gently lower the cutters on top of the problem area allowing the cutters to run at full speed cutting away the problem deposits. Releasing the switch lever will stop the motor instantly.

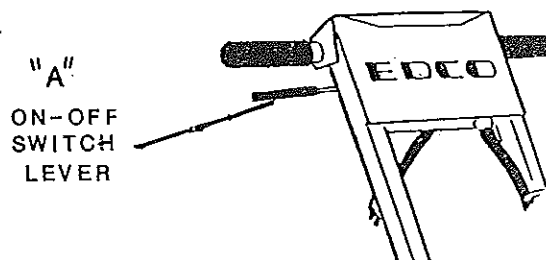
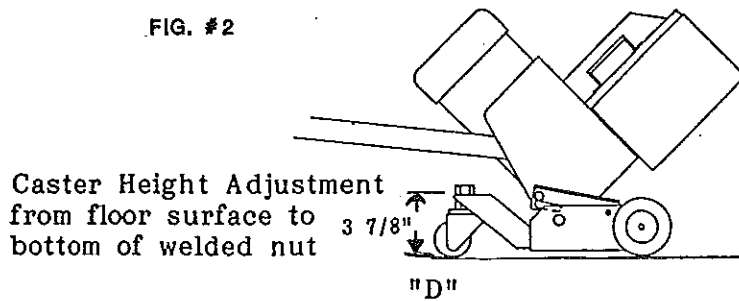


FIG. 1

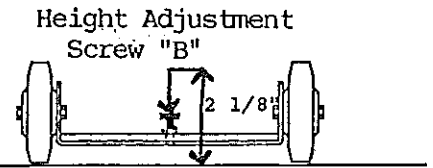
FIG. #2



Caster Height Adjustment
from floor surface to
bottom of welded nut

3 7/8"
"D"

FIG. #3



Height Adjustment
Screw "B"

2 1/8"

Figure #3

Check cutting height adjustment set-screw ("B"). Top of screw should measure (2-1/8") from floor surface. Adjust if necessary - always lock the adjustment screw with locking nut to prevent the cutting height from changing during the stripping operation.

Swivel Caster

The rear swivel caster ("D") has also been factory set. It's position (Figure #2) is important to the proper operation of the STRIP-PET. After setting the height adjustment set screw ("B") - Check the swivel caster height ("D"). Measure from floor surface to bottom of welded nut. Set and lock in position as indicated in (figure #2). DO NOT change this setting unless you specifically want to tilt the cutterhead down for more aggressive cut. Adjusting the caster may cause the front edge of the cutter assembly to penetrate into the subfloor, cutting and damaging the surface. The STRIP-PET is designed to produce an even, uniform, clean cut.

Allow the STRIP-PET to come to rest on top of the adjustment set screw ("B"). All strip-fingers should be in contact with floor surface evenly. See Fig. 6.

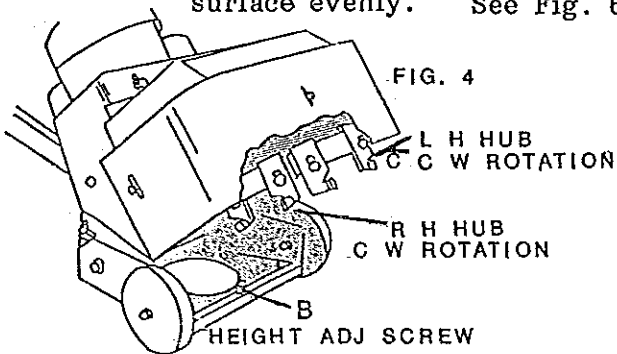


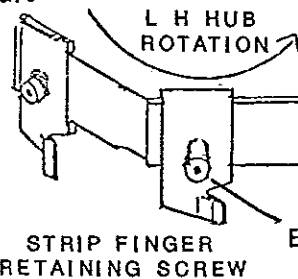
FIG. 4

L H HUB
C C W ROTATION

R H HUB
C C W ROTATION

HEIGHT ADJ SCREW

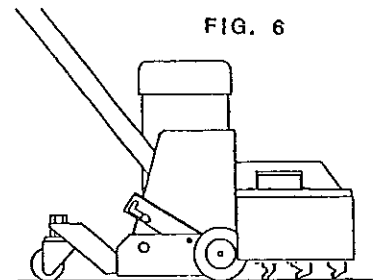
FIG. 5



L H HUB
C C W ROTATION

STRIP FINGER
RETAINING SCREW

FIG. 6



Strip-fingers may be adjusted individually if they are not in floor contact. Loosen the screw holding the strip finger ("E"), allow the finger to slide down until it rests on the surface - retighten the screw securely.

Follow the above procedure when replacing strip-fingers that are worn out or damaged.

It is important that the cutting height be set according to instructions. Cutters set too low will damage your sub-floor, cutters set too high will not remove all the backing material.

If you prefer, you may remove the strip-fingers from the cutter head for sharpening - be sure to replace and align them according to the instructions provided.

The STRIP-PET cutterhead consists of a set of counter rotating, heavy steel hubs on to which the strip-fingers are attached. Standing in the operators position - the left cutter hub turns counter-clockwise - the right hub turns clockwise. Strip-fingers are attached in six positions on each hub. When replacing strip-fingers always install finger so that the cutting edge is facing in the direction of rotation. (Figure # 4). When ordering strip-fingers - order in sets of 12 (6 left and 6 right) or when single cutter is ordered be sure to specify right or left.

For proper operation the cutting heads must be flat against the floor surface or just slightly above it. The tungsten-carbide must be kept sharp on two edges (Figure # 7). A "green" wheel is used for this purpose. Fingers can be removed from the machine for sharpening or a hand-held grinder used to touch up (hone) the edges without removing cutters from the machine.

Sharpen the bottom of the carbide at approximately 6° angle. This angle will change as the finger wears - the object is to keep the carbide flat against the floor. The outside edge of the carbide should also be kept sharp - this edge cuts and "peels" the surface material away. (Figure # 8).

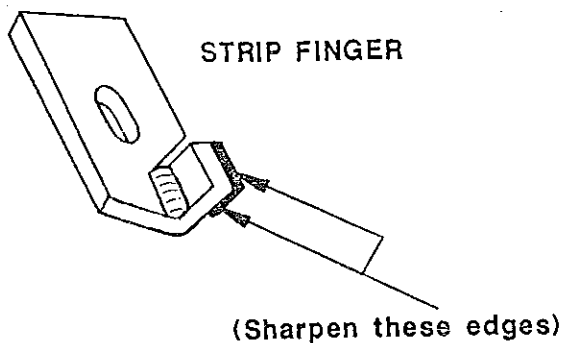


FIG.7

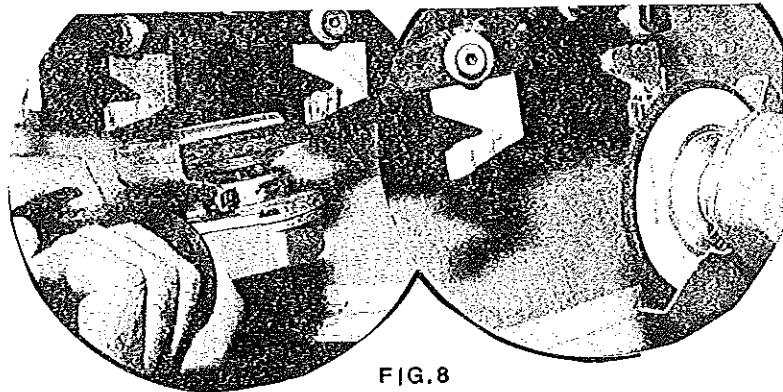


FIG.8

TRANSPORT

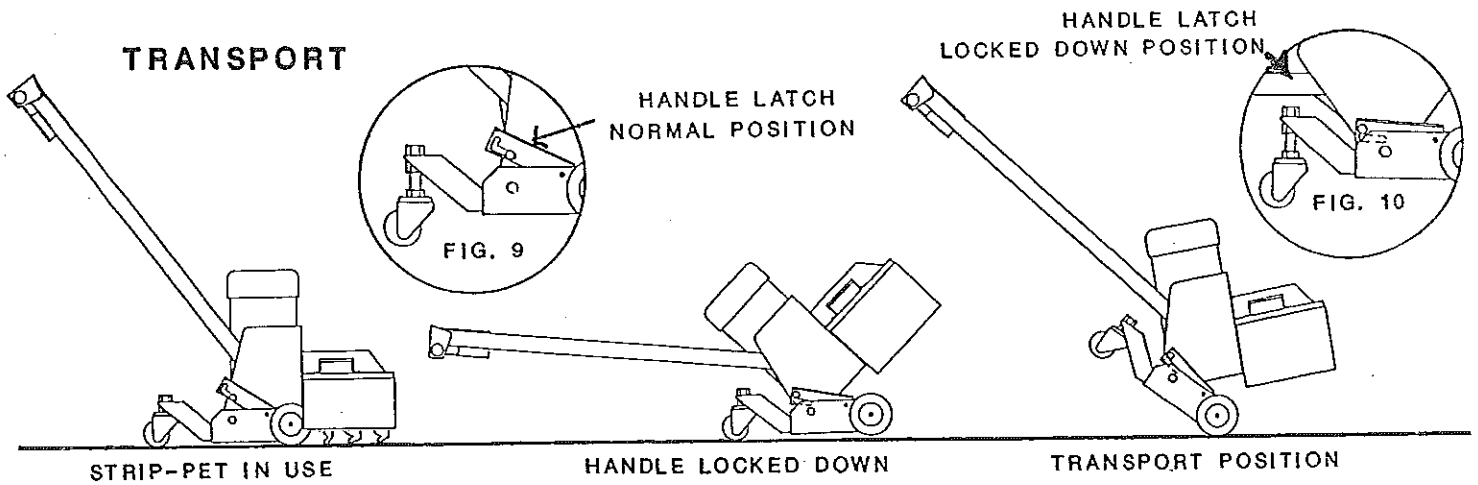
The STRIP-PET can be moved easily to and from and around the job-site.

A handle latch lever, (Figure #10) located on the lower right side of the gear case, positioned just behind the right wheel will lock the handle into the transport position. To activate - push the handle down until it reaches a position parallel with the floor. The latch will automatically lock the handle in the horizontal position. Lift handle and the STRIP-PET will be raised on to the rolling wheels - similar to using a hand truck.

To release - lower handle to the horizontal position again - lift latch to unlock - the handle can now be raised and the STRIP-PET will be ready for use - refer to (Figure # 9).

Handles are attached to the gear case to aid in loading and unloading from vehicles or on to work sites.

Since mastics and adhesives tend to heat up when being removed - we suggest wrapping the wheels with duct tape and removing the tape at the end of the job to keep the wheels clean and free rolling.



READ AND FOLLOW OPERATING INSTRUCTIONS

1. Use only on a grounded three wire circuit.
2. Check electric motor specification plate.
3. Match incoming power to motor specifications - do not exceed motor specifications.
4. Use only three wire approved cord - refer to diagram for length and wire size.
5. Do not use frayed or damaged electrical extension cords.
6. Keep electrical cord from contact with cutters - it can cut through the insulation and cause injury or death.
7. Always unplug STRIP-PET when sharpening cutters or performing other repairs.
8. Keep all protective guards in place when unit is in use.
9. Keep feet and fingers away from all moving or rotating parts.
10. Keep loose material off floor and away from rotating cutter assembly to prevent accidental contact, (plastic sheeting, cords, etc.).
11. Keep unauthorized, untrained subjects away from operating equipment.
12. Be sure to tag damaged or improperly operating equipment and DO NOT use until repaired.

MOTOR SPECIFICATIONS

1 H.P. - TEFC - 1140 R.P.M. 1 ϕ 60 hz.

115 vac - 13.4 amps, 208/230 vac - 6.7 amps.

C.C.W. Rotation - Fr. 145 T

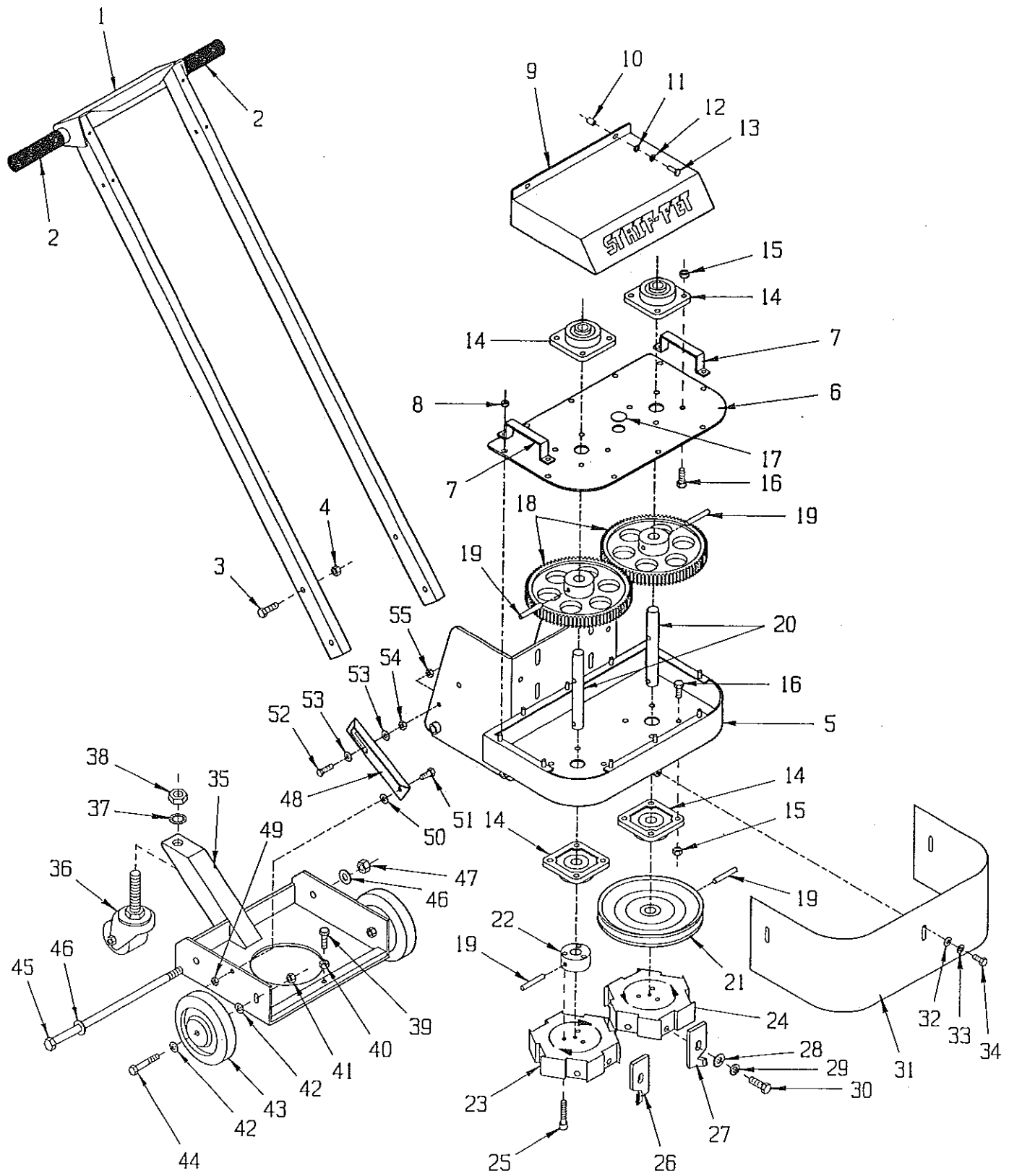
WIRING INFORMATION

USE ONLY 3 Wire grounded, extension cord.

H.P.	Voltage	Wire Size	Cord Length
1	115 vac	14-3	25 feet
1	115 vac	12-3	50 feet

Distance measured from permanently mounted receptacle.

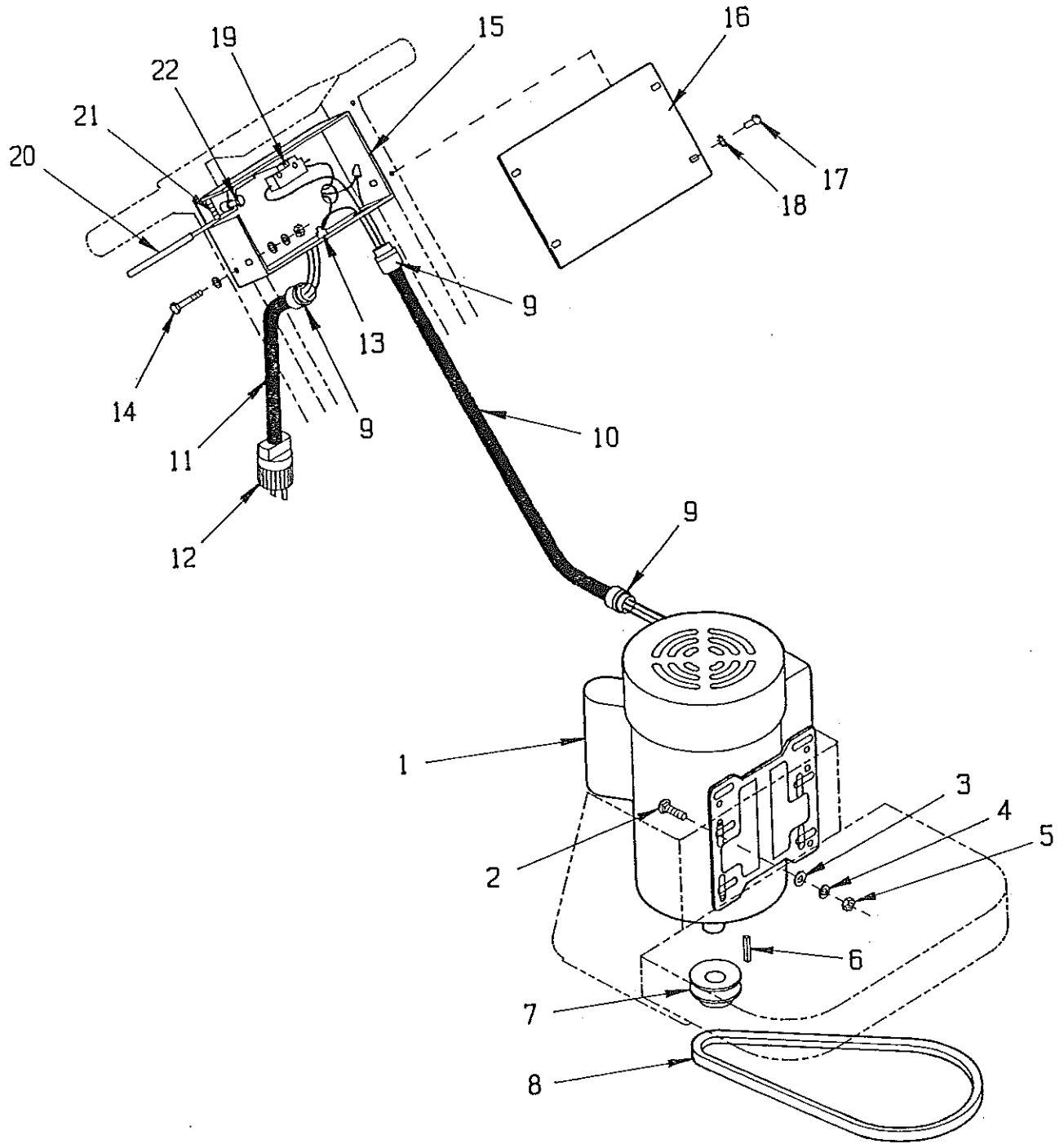
ILLUSTRATION 1: MAIN ASSEMBLY



PARTS LISTING - ILLUSTRATION 1: MAIN ASSEMBLY

Item #	Part #	Description	Qty.
1.	78101	Handle Bar	1
2.	79022	Hand Grip 1"	2
3.	10309	Screw, Cap 3/8-24 x 1-1/4	4
4.	10004	Nut, Lock 3/8-24	4
5.	78102	Gear Case & Frame Assy.	1
6.	78004	Gear Case Cover	1
7.	78103	Handle, Gear Case	2
8.	10013	Nut 1/4-20	10
	10038	Washer, Lock 1/4 (Not Shown)	6
9.	78104	Hood	1
10.	10439	Nutsert 1/4-20	2
11.	10602	Washer, Flat 1/4	2
12.	10038	Washer, Lock 1/4	2
13.	10018	Screw, Cap 1/4-20 x 3/4	2
14.	77009	Bearing, Ball 3/4" 4-Hole	4
15.	10004	Nut, Lock 3/8-24	16
16.	10021	Screw, Cap 3/8-24 x 1	16
17.	10005	Plug, Hole 7/8"	1
18.	78005	Gear, Spur 84 Tooth	2
19.	10211	Pin, Roll 5/16 x 2	4
20.	78011	Shaft, Driven 3/4 x 6	2
21.	78013	Sheave 7" W/ Hub	1
22.	78026	Hub	1
23.	78066	Strip-Disc, Right Hand	1
24.	78077	Strip-Disc, Left Hand	1
25.	10354	Screw, Skt.Hd. 3/8-24 x 1-3/4	6
26.	76068A	Strip-Finger, Right Hand	6
27.	76079A	Strip-Finger, Left Hand	6
28.	10062	Washer, Flat 7/16	12
29.	10450	Washer, Lock 7/16	12
30.	10003	Screw, Cap 7/16-20 x 1-1/4	12
31.	78105	Skirt	1
32.	10213	Washer, Flat 5/16	3
33.	10801	Washer, Lock 5/16	3
34.	10053	Screw, Cap 5/16-18 x 3/4	3
35.	78106	Carriage, Wheel	1
36.	78107	Caster, Swivel 2-1/2"	1
37.	10609	Washer, Int. Tooth 3/4	1
38.	10403	Nut, Jam 3/4-10	1
39.	78121	Screw, Height Adj. 3/8-24	1
40.	10014	Nut 3/8-24	1
41.	10004	Nut, Lock 3/8-24	1
42.	10025	Washer, Flat 3/8	1
43.	78108	Wheel 5 x 1-1/4 x 3/8"Brg.	2
44.	10336	Screw, Cap 3/8-24 x 2-1/4	2
45.	78109	Screw, Cap 1/2-13 x 12	1
46.	10312	Washer, Flat 1/2	2
47.	10417	Nut, Lock 1/2-13	1
48.	78110	Latch, Handle	1
49.	10807	Nut, Lock 5/16-18	1
50.	10213	Washer, Flat 5/16	1
51.	10053	Screw, Cap 5/16-18 x 3/4	1
52.	10806	Screw, Cap 5/16-18 x 1	1
53.	10213	Washer, Flat 5/16	2
54.	10491	Nut, Jam 5/16-18	1
55.	10054	Nut 5/16-18	1

ILLUSTRATION 2: MOTOR & SWITCH ASSEMBLY

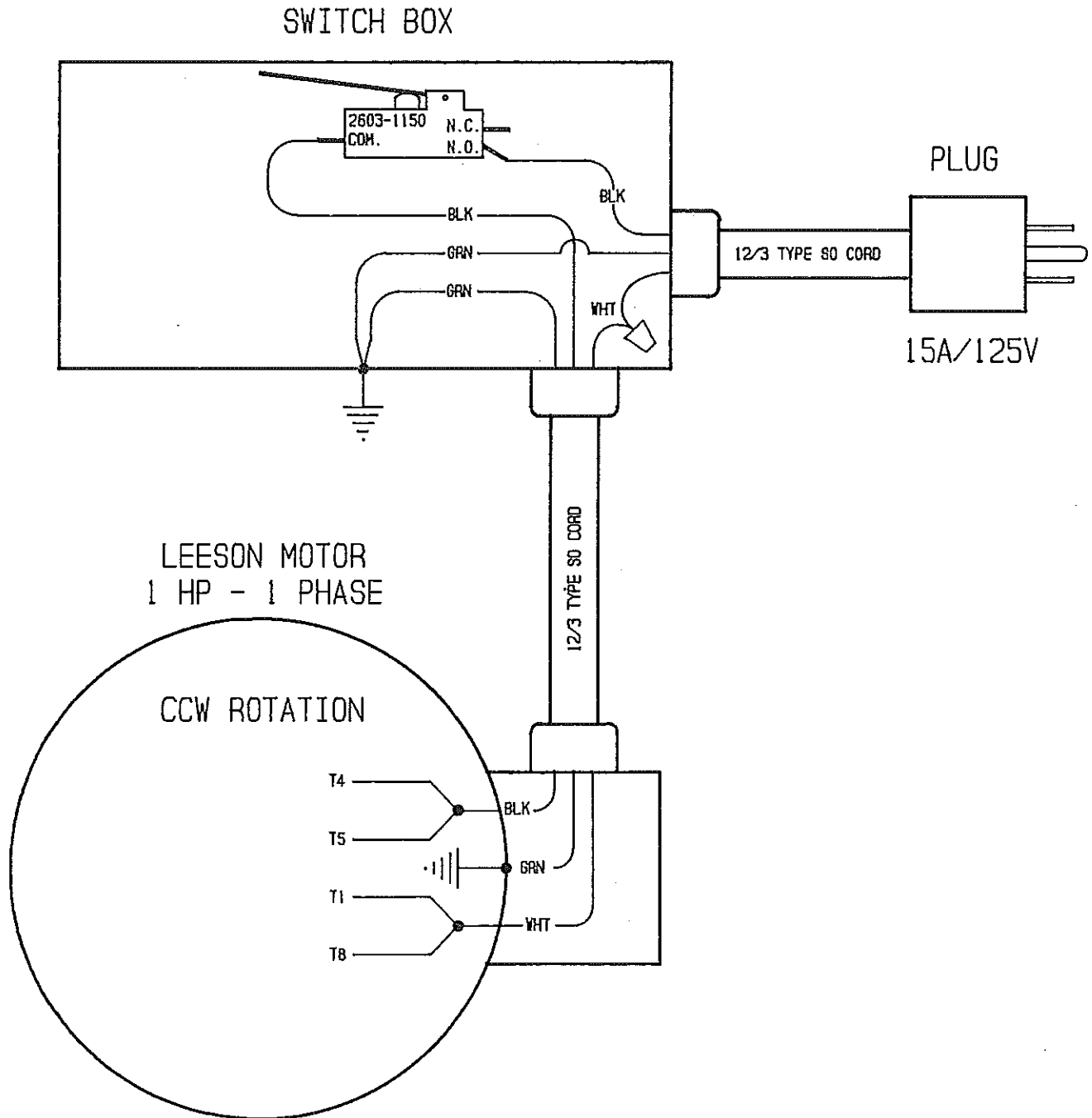


PARTS LISTING - ILLUSTRATION 2: MOTOR & SWITCH ASSEMBLY

Item #	Part #	Description	Qty.
1.	16016	Motor, Leeson 1 HP - 1140 RPM	1
2.	10819	Bolt, Carr. 5/16-18 x 1	4
3.	10213	Washer, Flat 5/16	4
4.	10801	Washer, Lock 5/16	4
5.	10054	Nut 5/16-18	4
6.	10060	Key 3/16" Sq. x 1-1/4	1
7.	78111	Sheave 2.25" OD x 1 Gr. A x 7/8" B	1
8.	78014	Belt A-31	1
9.	41130	Conn., Strain Relief 1/2 NPT	3
10.	78112	Wire Harness 12/3 x 42"	1
11.	78113	Wire Harness 12/3 x 18"	1
12.	78114	Plug 15A/125V	1
13.	10830	Screw, Mach. 10-32 x 1/2	1
&	10455	Washer, Ext. Tooth #10	2
&	10832	Nut 10-32	1
14.	10315	Screw, Cap 1/4-20 x 1-1/2	2
&	10602	Washer, Flat 1/4	4
&	10038	Washer, Lock 1/4	2
&	10013	Nut 1/4-20	2
15.	78115	Switch Box	1
16.	78116	Switch Box Cover	1
17.	10828	Screw, Self-Tap 10-24 x 1/2	4
18.	10455	Washer, Ext. Tooth #10	4
19.	78117	Switch, Micro 20A/125-250V	1
&	10389	Screw, Mach. 6-32 x 1	2
&	10839	Washer, Ext. Tooth #6	2
&	10465	Nut 6-32	2
20.	78118	Lever, Switch	1
&	10988	Grip, Flat Red 1/2 x 3-1/2	1
21.	78119	Spring, Comp. 1/4" OD x 1-1/8"	1
&	78120	Screw, Mach. 10-32 x 7/8	1
&	10455	Washer, Ext. Tooth #10	1
&	10832	Nut 10-32	2
22.	10497	Screw, Cap 1/4-20 x 1-1/2 Full	1
&	10602	Washer, Flat 1/4	1
&	10015	Nut, Lock 1/4-20	1

STRIP-PET

WIRING DIAGRAM FOR 115 VOLTS



LIMITED EQUIPMENT WARRANTY

Equipment Development Company, Inc. herein referred to as EDCO warrants that each new unit manufactured by EDCO to be free from defects in material and workmanship in normal use and service for a period of (1) one year (except in the case of the cutter drum assembly on all model concrete asphalt planes, in which case the warranty period shall be 90 days) from date of shipment to the original retail or equipment rental center owner.

EDCO will, at its option, repair or replace, at the EDCO factory or at a point designated by EDCO any part, parts which shall appear to the satisfaction of EDCO inspection at such point, to have been defective in material or workmanship.

This warranty, does not apply to failure occurring as a result of abuse, misuse, negligent repairs, corrosion, erosion, normal wear and tear, alterations or modifications made to the product without express written consent of EDCO; or failure to follow the recommended operating practices and maintenance procedures as provided in the products operating and maintenance manuals.

This warranty does not obligate EDCO to bear any transportation charges in connection with the replacement or repair of defective parts. This warranty does not obligate EDCO to bear any expenses for travel time or of personnel in connection with any service calls.

Accessories or equipment furnished and installed on the product by EDCO but manufactured by others, including but not limited to engines, motors, electrical equipment, transmissions, etc., shall carry the accessory manufacturers' own warranty.

THIS WARRANTY IS IN LIEU OF ALL OTHER WARRANTIES, EXPRESSED OR IMPLIED, OR STATUTORY, INCLUDING ANY WARRANTIES OF MERCHANTABILITY OR OF FITNESS FOR A PARTICULAR PURPOSE.

LIABILITY LIMITATIONS

The remedies of the user set forth under provisions of warranty outlined above are exclusive and the total liability of EDCO with respect to their sale or the equipment and service furnished hereunder, in connection with the performance or breach thereof, or from the sale, delivery, installation, repair or technical direction covered by or furnished under the sale. Whether based on contract, warranty, negligence, indemnity, strict liability, or otherwise shall not exceed the purchase price of the unit of equipment upon which such liability is based.

EDCO will not in any event be liable to the user, any successors in interest or any beneficiary or assignee relating to this sale/or any consequential, incidental, indirect, special or punitive damages arising out of this sale or any breach thereof, or any defects on, or failure of, or malfunction of the equipment under this sale whether based upon loss of use, lost profits or revenue, interest, lost goodwill, work stoppage, impairment of other goods, loss by reason of shutdown or non-operation, increased expenses of operation of the equipment, cost of purchase or replacement power or claims of users or customers of the user for service interruption whether or not such loss or damage is based on contract, warranty, negligence, indemnity, strict liability, or otherwise.

EDCO reserves the right to modify, alter and improve any part or parts without incurring any obligation to replace any part or parts previously sold without such modified, altered or improved part or parts.

No person is authorized to give any other warranty or to assume any additional obligation on EDCO's behalf unless made in writing and signed by an officer of EDCO.

Equipment Development Company, Inc.