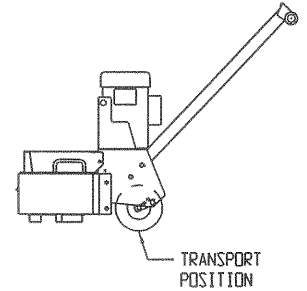
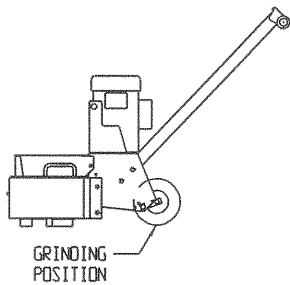


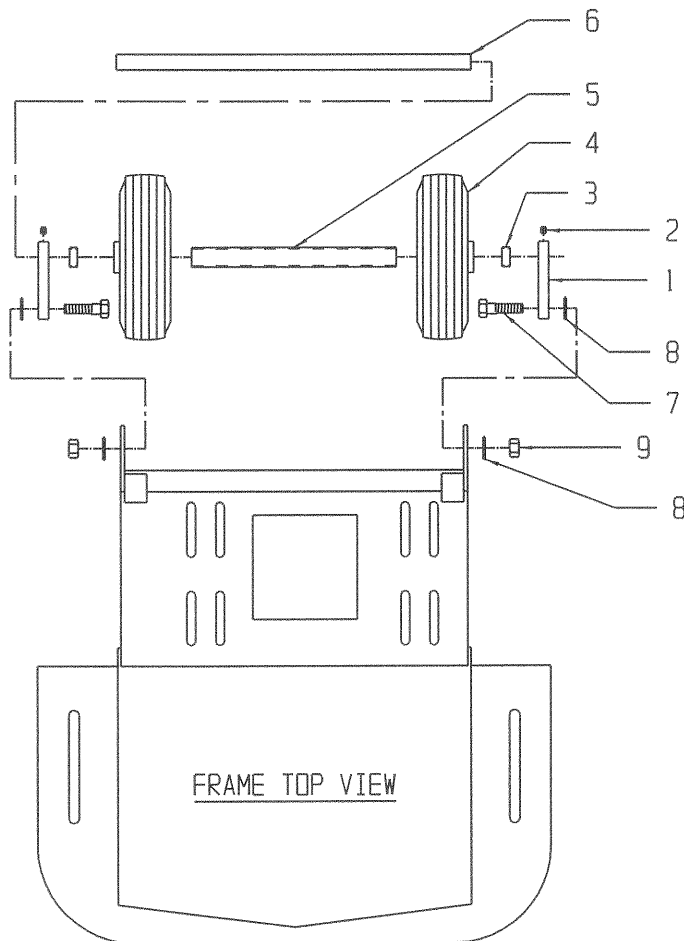
WHEEL AXLE FLIP-HOLDER CHANGE

for Models 2-EC and 2-GC

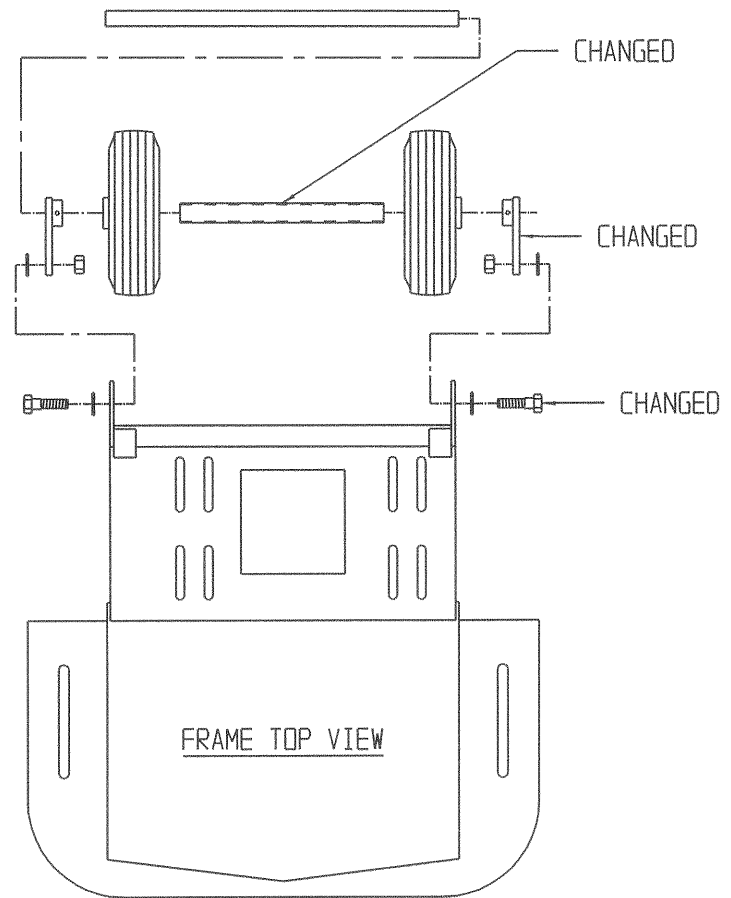
REVISED AUG. 2002 - STARTING SERIAL # 23393



"NEW STYLE"



"OLD STYLE"



ITEM #	PART #	DESCRIPTION	QTY.
* 1	86305	FLIP-HOLDER, WHEEL AXLE (NEW STYLE)	2
* 2	10139	SCREW, SET 1/4-20 X 5/16	2
* 3	77214	SPACER, WHEEL 3/8"L	2
4	79013	WHEEL 8 X 2-1/2 X 3/4"BRG	2
* 5	77215	AXLE SPACER 9-13/16"L	1
6	77209	AXLE SHAFT 3/4"DIA. X 17"L	2
* 7	10308	SCREW, CAP 1/2-20 X 1-1/2	2
8	10312	WASHER, FLAT 1/2	2
9	10205	NUT, LOCK 1/2-20	2

* NOTE: ITEMS 1, 5, & 7 WERE CHANGED & ITEMS 2 & 3 WERE ADDED



100 Thomas Johnson Drive, Frederick, MD 21702-4600 USA

Phone (301) 663-1600 • 1-800-638-3326

Fax (301) 663-1607 • 1-800-447-3326

Website: www.edcoinc.com • Email: sales@edcoinc.com

Printed in USA

©2002