

REVISED STARTING SERIAL # 8250

PARTS LIST MANUAL MODEL 411



Four-Disc Concrete Floor Grinder



100 Thomas Johnson Drive, Frederick, MD 21702-4600 USA
Phone (301) 663-1600 • 1-800-638-3326
Fax (301) 663-1607 • 1-800-447-3326
Website: www.edcoinc.com • Email: sales@edcoinc.com

Printed in USA
©2004

READ AND UNDERSTAND THE OPERATORS INSTRUCTION MANUAL THOROUGHLY BEFORE ATTEMPTING TO OPERATE THIS EQUIPMENT. Death or serious injury could occur if this machine is used improperly.



SAFETY MESSAGES



The safety instructions are preceded by a graphic alert message of DANGER, WARNING, or CAUTION.



Indicates an imminent hazard which, if not avoided, will result in death or serious injury.



Indicates an imminent hazard which, if not avoided, can result in death or serious injury.



Indicates hazards which, if not avoided, could result in serious injury and or damage to the equipment.

GASOLINE

Powered Equipment



- Do not operate gasoline powered equipment without adequate ventilation. Carbon monoxide is an invisible, odorless gas that can kill.

ELECTRICAL

Powered Equipment



- ELECTRICAL HAZARD** - Be sure equipment is properly grounded. Failure to comply could kill or result in serious injury.



The engine exhaust from this product contains chemicals known to the State of California to cause cancer, birth defects or other reproductive harm.

GENERAL INSTRUCTIONS



- You must read and understand the operators instruction manual and all other manuals associated with this machine. For your safety and the safety of others around you, it is extremely important to fully understand how to operate this machine in the way it was intended. Different model machines or older/newer versions of the same model may have different parts and controls that you need to understand. If instructions are not readable or available DO NOT USE this machine and contact the factory for a replacement Manual.
- You must be able to physically handle the bulk weight and power of this machine. If not properly controlled this machine can cause death or serious injury.
- Do not operate this machine in an impaired mental state. You must be able to exercise good judgement and reactions to maintain a safe working environment.
- This is a "one person" machine which means only one operator can be operating the machine at any one time. For the safety of others, maintain a safe operating distance to other personnel. Your work area should be defined and appropriately marked so bystanders and coworkers do not stand or walk near this machine and end up seriously injured by flying debris or exposing them to harmful noise or dust.
- This equipment is for Commercial use. Although this is a "one person" machine your work team should understand how to shut this machine off and quickly get medical help if an accident strikes the operator.
- Keep all guards in place during operation. The guards are to provide protection from inadvertent contact with dangerous moving parts, pinch points, or hot surfaces.
- Wear appropriate Personal Protective Equipment (PPE) including safety glasses, safety boots, work gloves, respiratory protection, hearing protection, and head protection. Do not wear loose clothing that can get tangled in moving parts. Failure to do so could result in dismemberment or death. **Wear an approved respirator when removing hazardous materials or when grinding/cutting dry materials. Some dust particles such as concrete dust can contain silicate particles which can cause silicosis (a very serious lung disease). Contact NIOSH or OSHA for further details. When wet grinding/cutting, avoid contact with the concrete/asphalt slurry which can cause serious skin irritations.**
- You must maintain this machine per the maintenance schedule in the operator manual. Remember before adjusting, servicing, or fueling this machine, disconnect the source of power to the machine by disconnecting the spark plug (Gas models), or by unplugging the electrical power cord (electric models) or air hose (Pneumatic models) AT THE MACHINE so you can assure yourself it remains unplugged while you are working on it. Do not modify this machine. Use only genuine EDCO parts and accessories. Repairs and service should be performed by approved EDCO dealers or authorized technicians.
- You should look carefully around the area before you begin work so you can identify potential hazards such as deck inserts, pipes, columns, openings, electrical cords or outlets, or any other objects protruding from the slab surface.
- This machine has no brain so you must use your own. There is no substitute for safety. The safety decals on the machine are to serve as a reminder for information you must already know before you begin using this machine. Take a moment to reread the safety decals each time you use the machine. If your machine is missing any decals, contact the factory for a replacement (EDCO 1-800-638-3326).

PARTS LIST MANUAL

EDCO MODEL 411

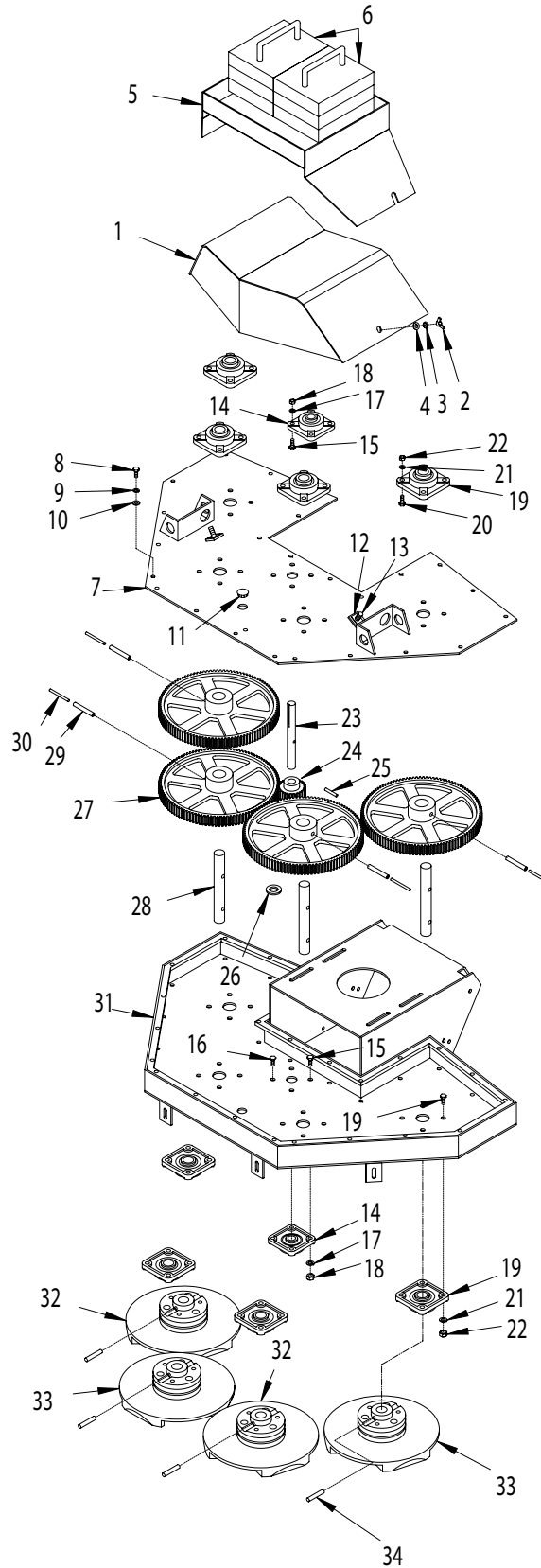
Section	Page Number
Safety Messages & General Instructions	2
How To Order Replacement Parts	3
Illustration 1: Main Grouping	4,5
Illustration 2: Fork Grouping	6,7
Illustration 3: Skirt & Vacuum Port Grouping	8,9
Illustration 4: Multi-Accessory Disc Grouping	10
Illustration 5: Optional Pad Driver Disc Grouping	11
Illustration 6: Optional Surface Disc Grouping	12,13
Illustration 7: Engine & Belt Drive Grouping	14,15
Illustration 8: Propane Option	16,17
Illustration 9: Motor & Belt Drive Grouping	18,19
Limited Equipment Warranty	back cover

4-DISC CONCRETE FLOOR GRINDERS		
PART NO.	MODEL	POWER OPTION
51500	411-11H	HONDA 11.0 HP, GASOLINE
54400	411-11P	HONDA 11.0 HP, PROPANE
52800-230	411-5B/230/3	BALDOR 5.0 HP-3 PHASE-60HZ-230V
52800-460	411-5B/460/3	BALDOR 5.0 HP-3 PHASE-60HZ-460V
53600	411-5B/230/1	BALDOR 5.0 HP-1 PHASE-60HZ-230V

<p>HOW TO ORDER REPLACEMENT PARTS</p> <p><input type="checkbox"/> To insure product safety and reliability, always use genuine EDCO replacement parts when making repairs to the equipment.</p> <p><input type="checkbox"/> When calling for parts, specify the MODEL and SERIAL NUMBER of the machine which can be found on the NAME PLATE. Keep that information in the space provided. In addition to this information, give part number, description and quantity as listed on the parts list to your parts representative.</p> <p><input type="checkbox"/> Please note: Due to improvements and changes in the equipment, the illustrations shown may be different than the actual machine.</p>	<p style="text-align: center;">FILL IN INFORMATION BELOW</p> <p>Date of Purchase _____</p> <p>Name of Machine _____</p> <p>Model # _____</p> <p>Serial # _____</p> <p>Belt Size(s) _____</p> <p style="text-align: center;">Toll Free: 1-800-638-3326 FAX: 1-800-447-3326 email: sales@edcoinc.com www.edcoinc.com</p>
---	--



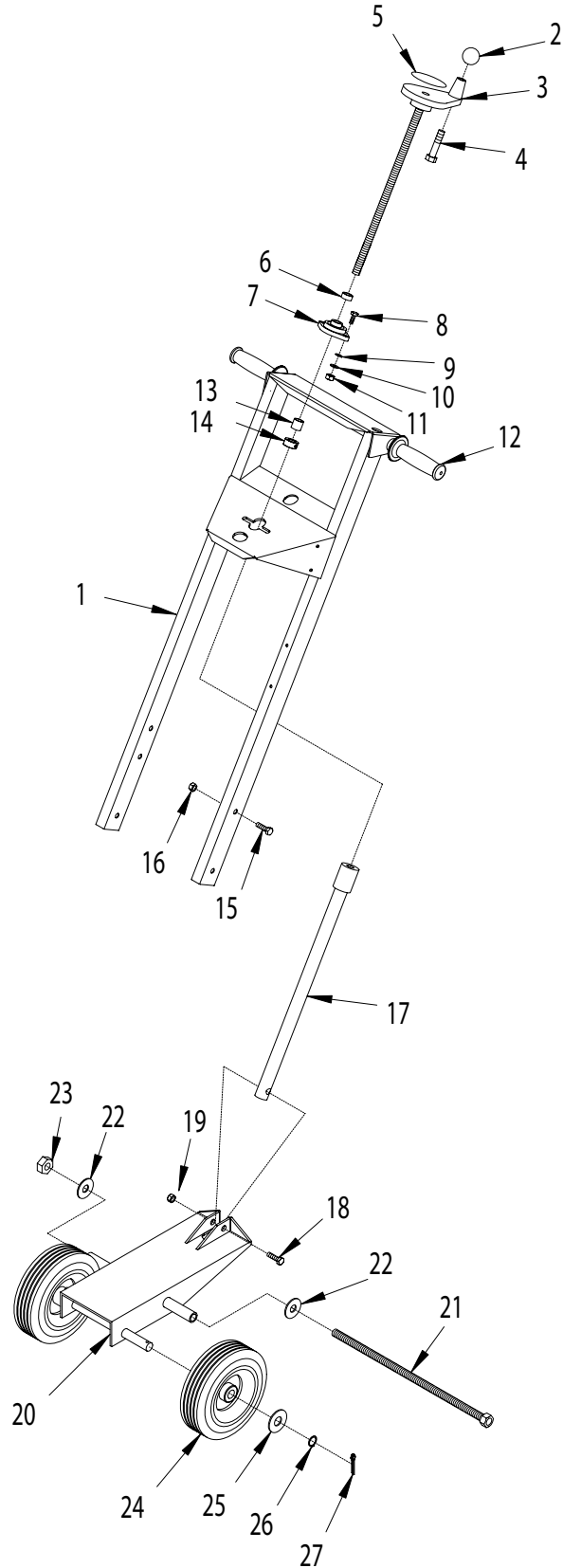
ILLUSTRATION 1 : MAIN GROUPING



PARTS LISTING - ILLUSTRATION 1 : MAIN GROUPING			
ITEM#	PART#	DESCRIPTION	QTY.
1	75001	HOOD	1
2	10903	NUT, WING 3/8-16	2
3	10811	WASHER, LOCK 3/8	2
4	10025	WASHER, FLAT 3/8	2
5	75050	WT-2 WEIGHT HOLDING TRAY FOR 411 (OPTIONAL)	1
6	77049	WT-55 WEIGHT 55 LBS/25KG (OPTIONAL)	2
7	75002	COVER, GEAR CASE	1
8	10053	SCREW, CAP 5/16-18 X 3/4	24
9	10801	WASHER, LOCK 5/16	24
10	10213	WASHER, FLAT 5/16	24
11	10005	PLUG, HOLE 7/8" (CHROME)	1
12	10802	BOLT, CARRIAGE 3/8-16 X 1	2
13	10089	CLIP, SPEED NUT 3/8"	2
14	77009	BEARING, BALL 3/4" 4-HOLE FLANGE	2
15	10309	SCREW, CAP 3/8-24 X 1-1/4	6
16	10477M	SCREW, CAP 3/8-24 X 1-1/4 LOW HEAD	2
17	10811	WASHER, LOCK 3/8	8
18	10014	NUT 3/8-24	8
19	77008	BEARING, BALL 1" 4-HOLE FLANGE, ND	8
20	10003	SCREW, CAP 7/16-20 X 1-1/4	32
21	10450	WASHER, LOCK 7/16	32
22	10481	NUT 7/16-20	32
23	77011	SHAFT, PINION GEAR 3/4DIA X 7-3/8"L	1
24	77053	GEAR, SPUR 25 TOOTH (PINION)	1
25	10037	PIN, ROLL 1/4 X 1-1/2	1
26	10009	WASHER, FLAT 3/4	1
27	77012	GEAR, SPUR 112 TOOTH (DRIVEN)	4
28	77013	SHAFT, LARGE GEAR 1"DIA X 7-13/16"L	4
29	10007	PIN, ROLL 3/8 X 2-1/2	4
30	63055	PIN, ROLL 7/32 X 2-1/2	4
31	75003	MAIN FRAME & GEAR CASE	1
32	8888	DISCASSY. COMPLETE, MULTI-ACCY. RH (REFER TO ILLUSTRATION 4 FOR BREAKDOWN)	2
33	9999	DISCASSY. COMPLETE, MULTI-ACCY. LH (REFER TO ILLUSTRATION 4 FOR BREAKDOWN)	2
34	10063	PIN, ROLL 3/8 X 2	4



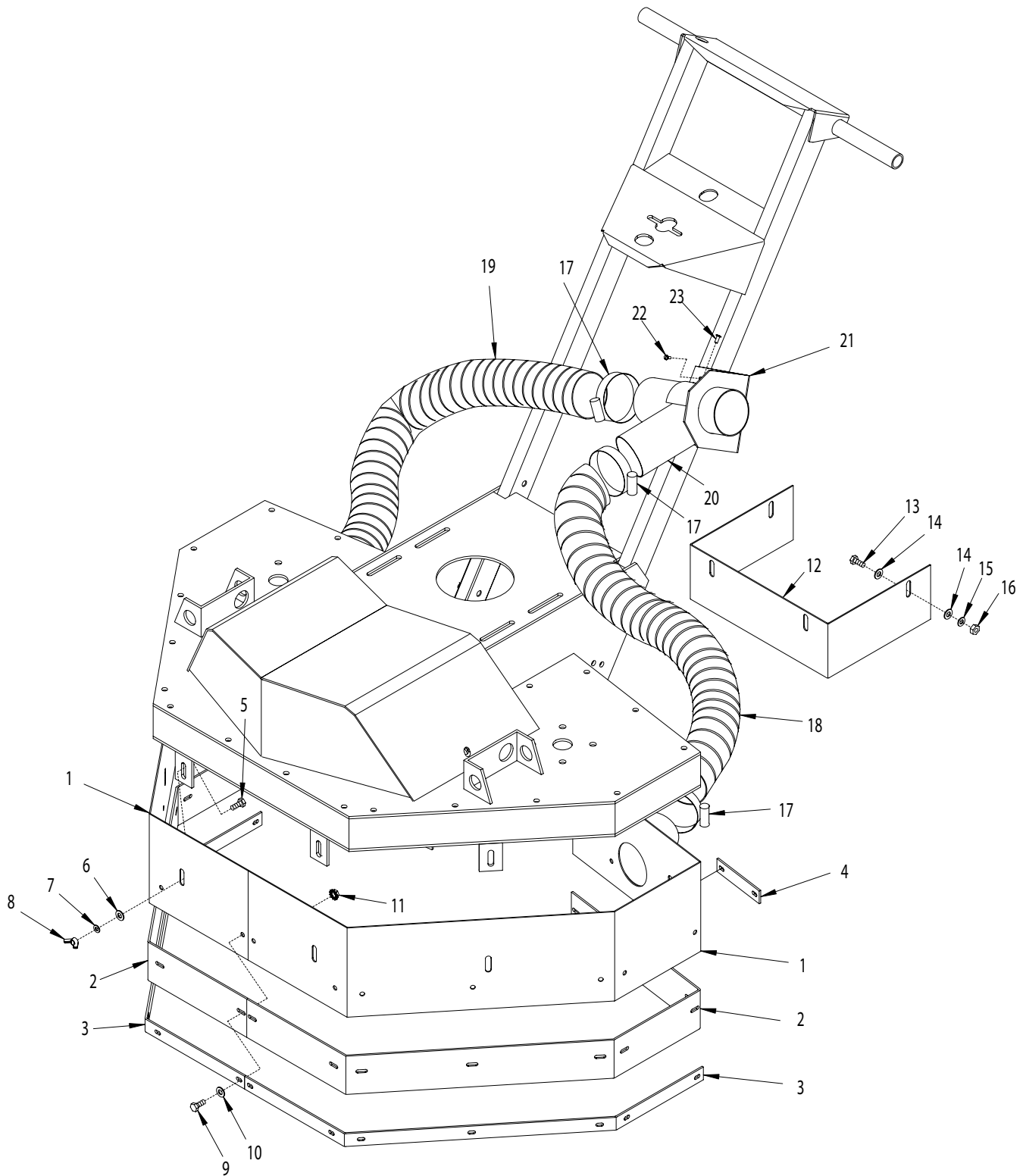
ILLUSTRATION 2 : HANDLE & FORK GROUPING



PARTS LISTING - ILLUSTRATION 2 : HANDLE & FORK GROUPING			
ITEM#	PART#	DESCRIPTION	QTY.
1	75005	HANDLE BAR	1
2	10104	KNOB, BALL 1-7/8 W/ 1/2-13THD, BLK.	1
3	75004	HANDWHEEL, LARGE W/ 5/8-8 X 16"ROD	1
4	10346	SCREW, SKT. HD. CAP 1/2-13 X 4-1/2	1
5	61106	DECAL, CUT CONTROL - DN/UP (LARGE)	1
6	75012	SPACER, HANDWHEEL 5/8"ID X 3/8"L	1
7	80009	BEARING, BALL 5/8" 2-HOLE FLANGE	2
8	10412	BOLT, CARRIAGE 1/4-20 X 1	2
9	10602	WASHER, FLAT 1/4	2
10	10038	WASHER, LOCK 1/4	2
11	10013	NUT 1/4-20	2
12	61108	GRIP, HAND 1" MODEL SX	2
13	55010	SPACER, HANDWHEEL 5/8"ID X 3/4"L	1
14	10096	COLLAR, LOCKING 5/8"ID	1
15	10029	SCREW, CAP 3/8-24 X 1-3/4	4
16	10004	NUT, LOCK 3/8-24	4
17	75006	LINKAGE, CUT CONTROL LOWER	1
18	10322	SCREW, CAP 1/2-20 X 2	1
19	10205	NUT, LOCK 1/2-20	1
20	75007	FORK	1
21	75008	BOLT, ALLTHREAD ROD 5/8-11 X 13-1/2	1
22	10073	WASHER, FLAT 5/8	2
23	10809	NUT, LOCK 5/8-11	1
24	79013	WHEEL 8 X 2-1/2 X 3/4"BRG.	2
25	10009	WASHER, FLAT 3/4	2
26	20050	CLIP, RETAINING 3/4" (CP402)	2
27	10306	PIN, COTTER 3/16 X 1-1/4	2



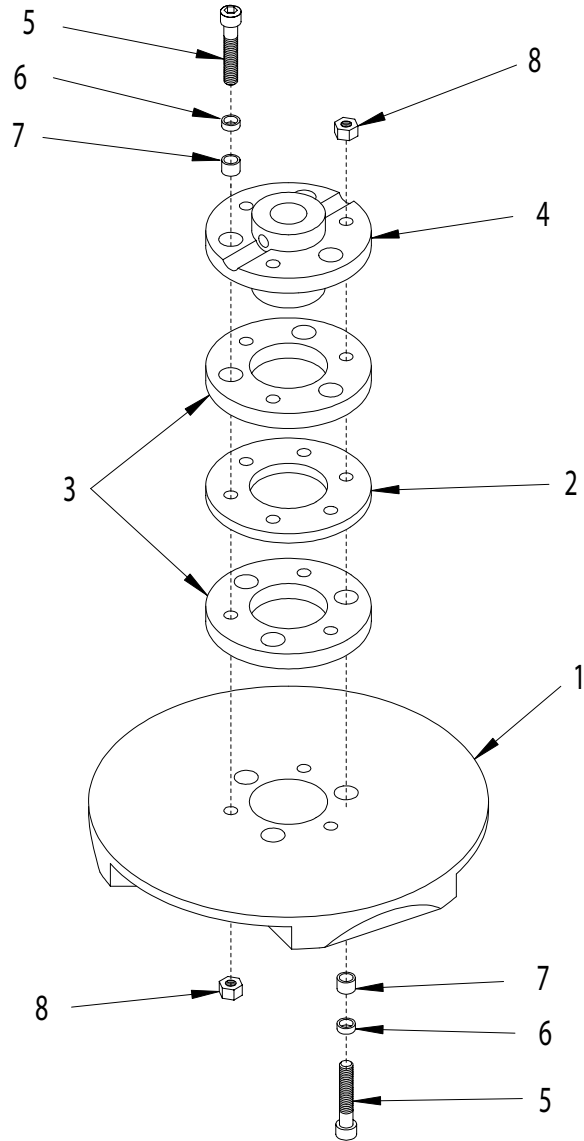
ILLUSTRATION 3 : SKIRT & VACUUM PORT GROUPING



PARTS LISTING - ILLUSTRATION 3 : SKIRT & VACUUM PORT GROUPING			
ITEM#	PART#	DESCRIPTION	QTY.
1	75009	SKIRT GUARD	2
2	75014	RUBBER SKIRT 3 X 94-3/4	2
3	75015	RETAINER, RUBBER SKIRT 34-1/4"LOA	2
4	75016	RETAINER, RUBBER SKIRT 4-1/2"L	4
5	10819	BOLT, CARRIAGE 5/16-18 X 1	8
6	10213	WASHER, FLAT 5/16	8
7	10801	WASHER, LOCK 5/16	8
8	10902	NUT, WING 5/16-18	8
9	10018	SCREW, CAP 1/4-20 X 3/4	22
10	10602	WASHER, FLAT 1/4	22
11	10861	NUT, KEPS 1/4-20	22
12	75011	PANEL, CENTER SKIRT	1
13	10053	SCREW, CAP 5/16-18 X 3/4	4
14	10213	WASHER, FLAT 5/16	8
15	10801	WASHER, LOCK 5/16	4
16	10054	NUT 5/16-18	4
17	10849	CLAMP, HOSE, SAE #52, ADJ. TO 3-3/4	4
18	75022	HOSE, FLEX 3"ID X 36"L, ANTI-STATIC	1
19	75023	HOSE, FLEX 3"ID X 24"L, ANTI-STATIC	1
20	75018	FITTING, 3" Y	1
21	75017	MOUNT BRKT., Y-FITTING	1
22	10877	SCREW, CAP STSHW 10-24 X 1/2	2
23	12113	RIVET, BLIND 3/16 X .440"L X .375HD	2



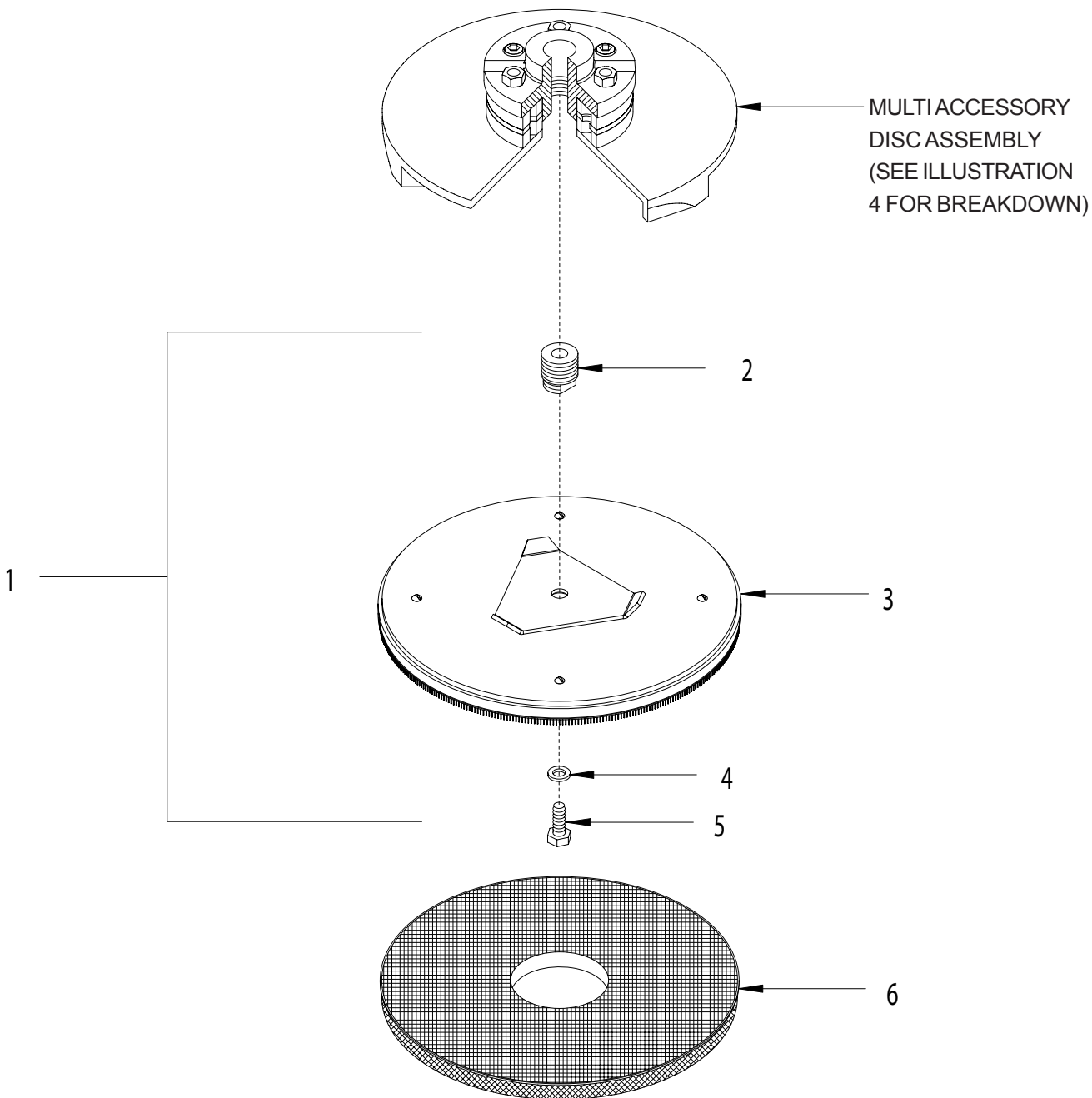
ILLUSTRATION 4 : MULTI-ACCESSORY DISC GROUPING



#8888 DISC ASSEMBLY COMPLETE, RIGHT HAND (2 REQ'D.)			
#9999 DISC ASSEMBLY COMPLETE, LEFT HAND (2 REQ'D.)			
ITEM #	PART#	DESCRIPTION	QTY.
1		DISC, MULTI-ACCESSORY	
	77088	R.H. FOR #8888 ASSY.	1
	77099	L.H. FOR #9999 ASSY.	1
2	77020	RING, HUB CARRIER, 6-HOLE	1
3	10112	RING, NEOPRENE, 4-1/2"ODx1/2"THK	2
4	77010	HUB, ALUMINUM 6-HOLE (GRINDER)	1
5	10114	SCREW, SKT. HD. CAP 3/8-24 X 2-1/4	6
6	10113	SPACER, STEEL 9/16OD X 3/8ID X 7/32"	6
7	10011	SPACER, STEEL 5/8OD X 3/8ID X 3/8"	6
8	10004	NUT, LOCK 3/8-24	6



ILLUSTRATION 5 : OPTIONAL PAD DRIVER DISC GROUPING



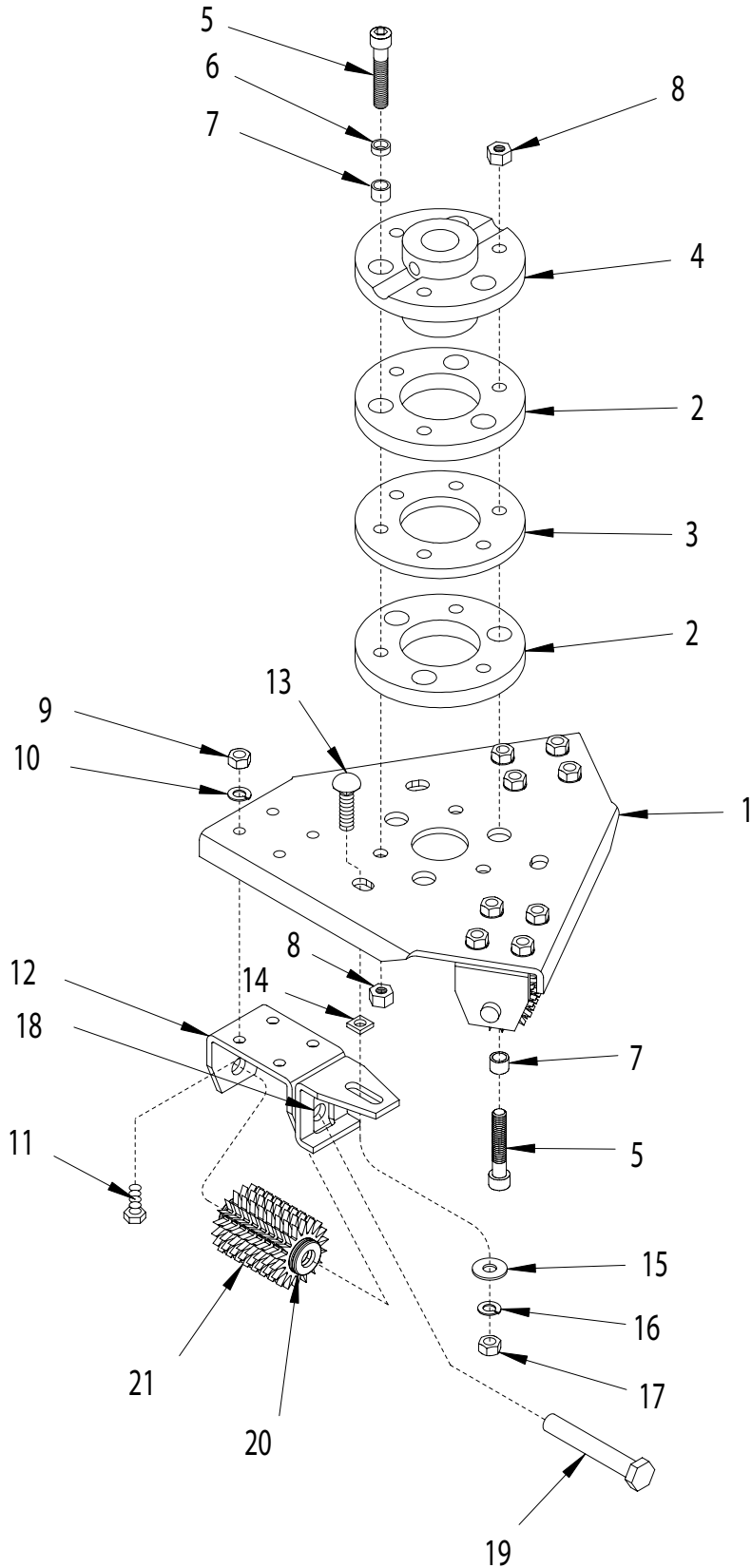
ITEM #	PART#	DESCRIPTION	QTY.
1	76040	PAD DRIVER DISC ASSEMBLY (INCLUDES ITEMS 2-5)	2
2	76042	HUB STUD, PAD DRIVER	1
3	76041	DISC ONLY 11", PAD DRIVER	1
4	10312	WASHER, FLAT 1/2	1
5	10304	SCREW, CAP 1/2-20 X 1	1
6	13013	SILABIDE PAD, 11" MEDIUM	2



100 Thomas Johnson Drive, Frederick, MD 21702-4600 USA
 Phone (301) 663-1600 • 1-800-638-3326
 Fax (301) 663-1607 • 1-800-447-3326
 Website: www.edcoinc.com • Email: sales@edcoinc.com

Printed in USA
 ©2004

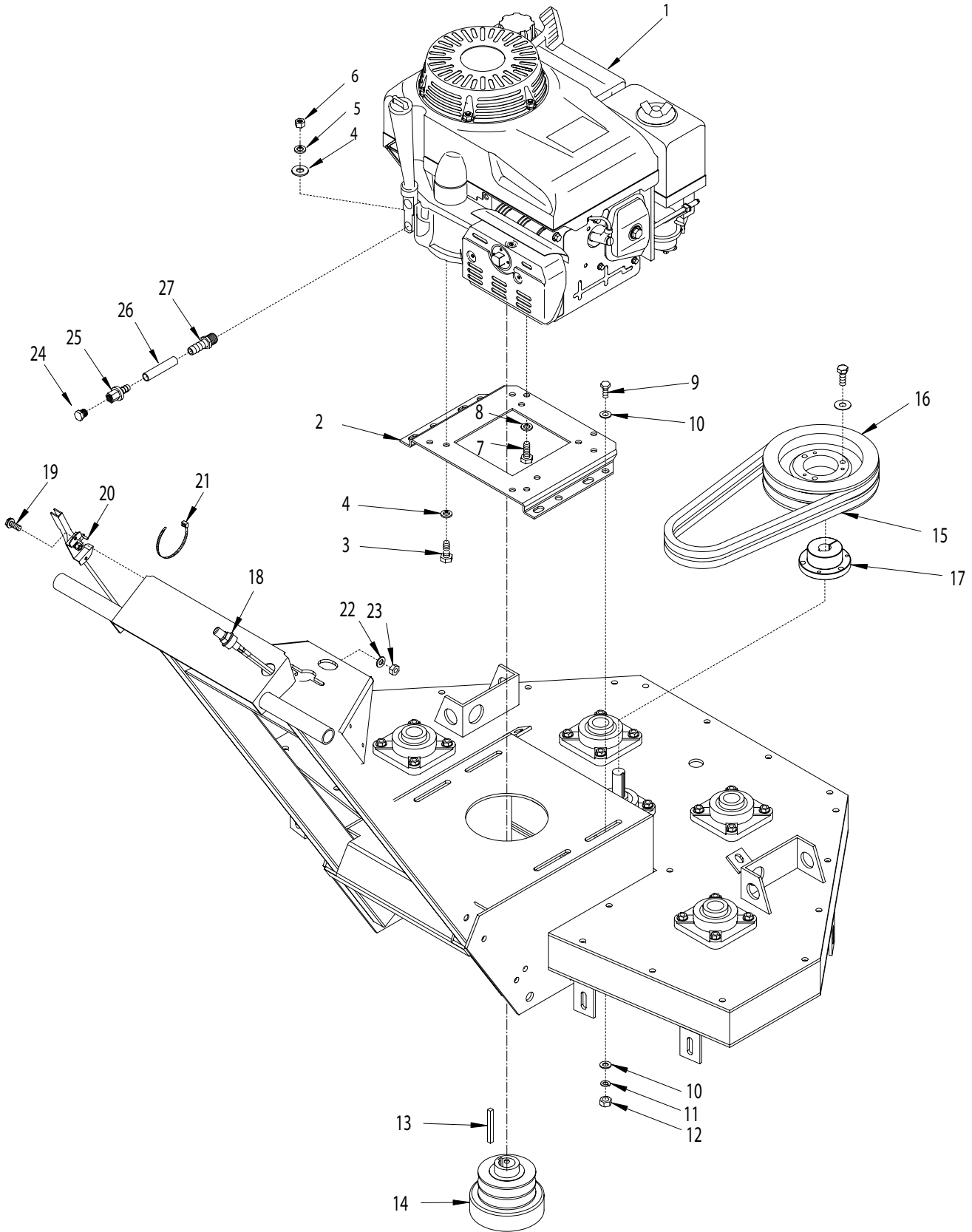
ILLUSTRATION 6 : OPTIONAL SURFACER DISC GROUPING



PARTS LISTING - ILLUSTRATION 6 : OPTIONAL SURFACER DISC GROUPING			
ITEM#	PART#	DESCRIPTION	QTY.
	#2222	SURFACER DISC ASSEMBLY, RIGHT HAND (2 REQ'D)	
	#3333	SURFACER DISC ASSEMBLY, LEFT HAND (2 REQ'D)	
1		DISC, SURFACER	
	77122	R.H. FOR #2222 ASSY.	1
	77133	L.H. FOR #3333 ASSY.	1
2	10112	RING, NEOPRENE, 4-1/2"ODx1/2"THK	2
3	77020	RING, HUB CARRIER, 6-HOLE	1
4	77010T	HUB, CAST IRON 6-HOLE	1
5	10114	SCREW, SKT. HD. CAP 3/8-24 X 2-1/4	6
6	10113	SPACER, STEEL 9/16OD X 3/8ID X 7/32"	3
7	10011	SPACER, STEEL 5/8OD X 3/8ID X 3/8THK	6
8	10004	NUT, LOCK 3/8-24	6
9	10054	NUT 5/16-18	12
10	10801	WASHER, LOCK 5/16	12
11	10806	SCREW, CAP 5/16-18 X 1	12
12	77074	HOLDER, CUTTER SHAFT, SURFACER DISC	3
13	10802	BOLT, CARRIAGE 3/8-16 X 1	3
14	10089	CLIP, SPEED NUT 3/8"	3
15	10025	WASHER, FLAT 3/8	3
16	10811	WASHER, LOCK 3/8	3
17	10404	NUT 3/8-16	3
18	77075	RETAINER, CUTTER SHAFT, SURF. DISC	3
19	77048	CG226 CUTTER SHAFT, 1/2 X 3-1/4	3
20	12230	CG227 SPACER 1/2"ID	33
21		CUTTER WHEEL	
	12206	JRS501-P, POINTED (STANDARD)	24
	20156	CP206T, 1-3/4" CARBIDE (OPTIONAL)	18



ILLUSTRATION 7 : ENGINE & BELT DRIVE GROUPING

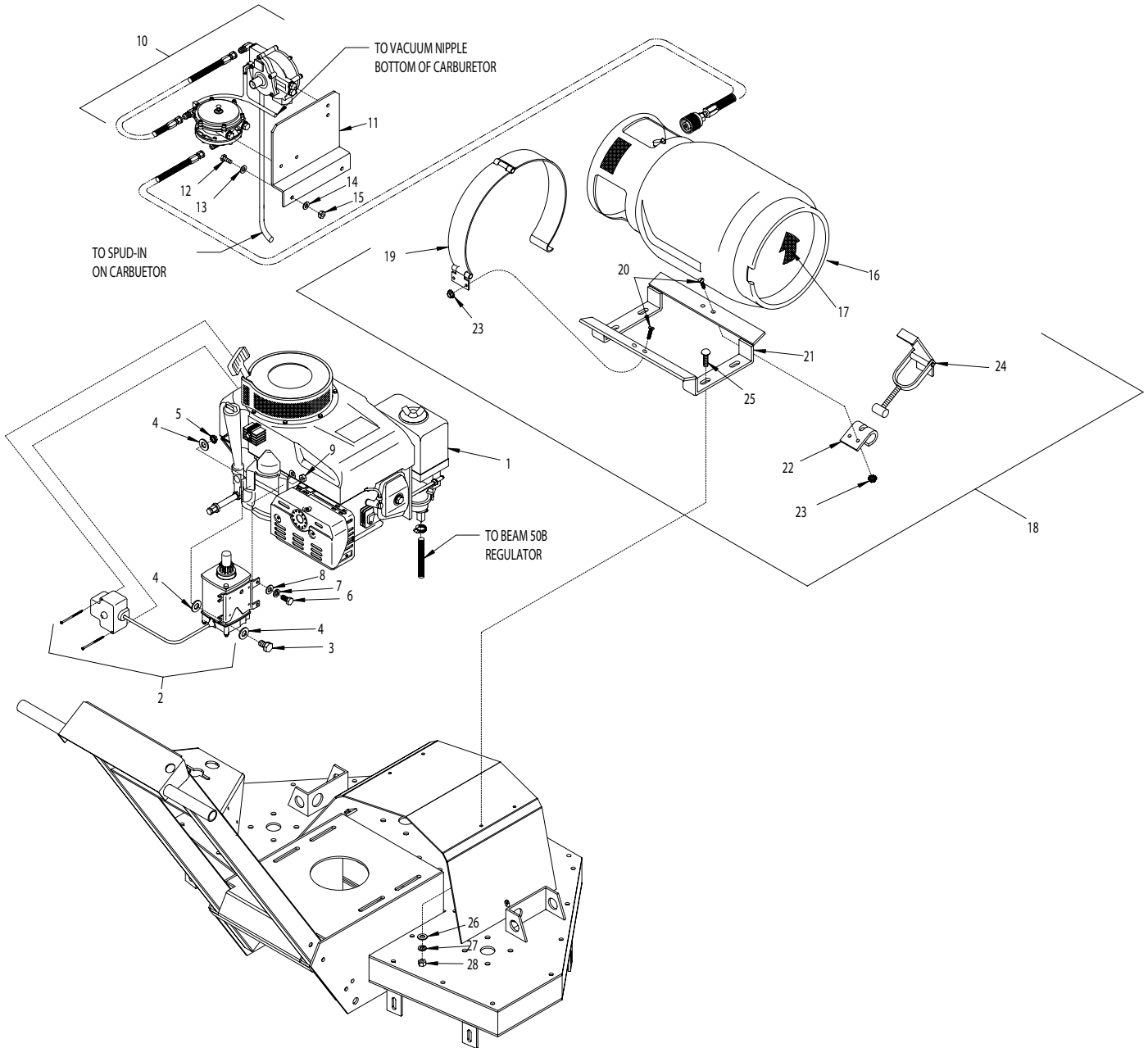


PARTS LISTING - ILLUSTRATION 7 : ENGINE & BELT DRIVE GROUPING

ITEM#	PART#	DESCRIPTION	QTY.
1	76004	ENGINE, HONDA 11 HP GXV340K2-DX3	1
2	76023A	MOUNT, ENGINE	1
3	10342	SCREW, CAP 5/16-18 X 1-1/2	2
4	10213	WASHER, FLAT 5/16	2
5	10801	WASHER, LOCK 5/16	2
6	10054	NUT 5/16-18	2
7	10048	SCREW, CAP 5/16-24 X 3/4	2
8	10801	WASHER, LOCK 5/16	2
9	10021	SCREW, CAP 3/8-24 X 1	4
10	10025	WASHER, FLAT 3/8	8
11	10811	WASHER, LOCK 3/8	4
12	10014	NUT 3/8-24	4
13	-----	KEY 1/4 SQ. (INCLUDED W/ ENGINE)	1
14	76024	CLUTCH, CENTRIFUGAL 3.5 X 2GR X 1	1
15	80025	BELT BX-32 COG	2
16	75010	SHEAVE 6.9"OD X 2GR.B X SDS	1
17	10036	BUSHING, SHEAVE SDS X 3/4"BORE	1
18	50010	SWITCH KIT, STOP BUTTON, 7/8" HOLE	1
19	10830	SCREW, MACHINE 10-32 X 1/2	2
20	3611	CABLE, THROTTLE, LEVER-TYPE 54"	1
21	10982	TIE, CABLE, BLACK NYLON 11-1/4"	1
22	10831	WASHER, LOCK, INT. TOOTH #10	1
23	10832	NUT 10-32	1
24	10776	PIPE PLUG 1/4 NPT (BRASS)	1
25	11544	BARB, PUSH-ON 3/8HOSE X 1/4FPT	1
26	56116	HOSE, PUSH-ON 3/8"ID X 3"L	1
27	11543	BARB, PUSH-ON 3/8HOSEX20MMX1.50	1



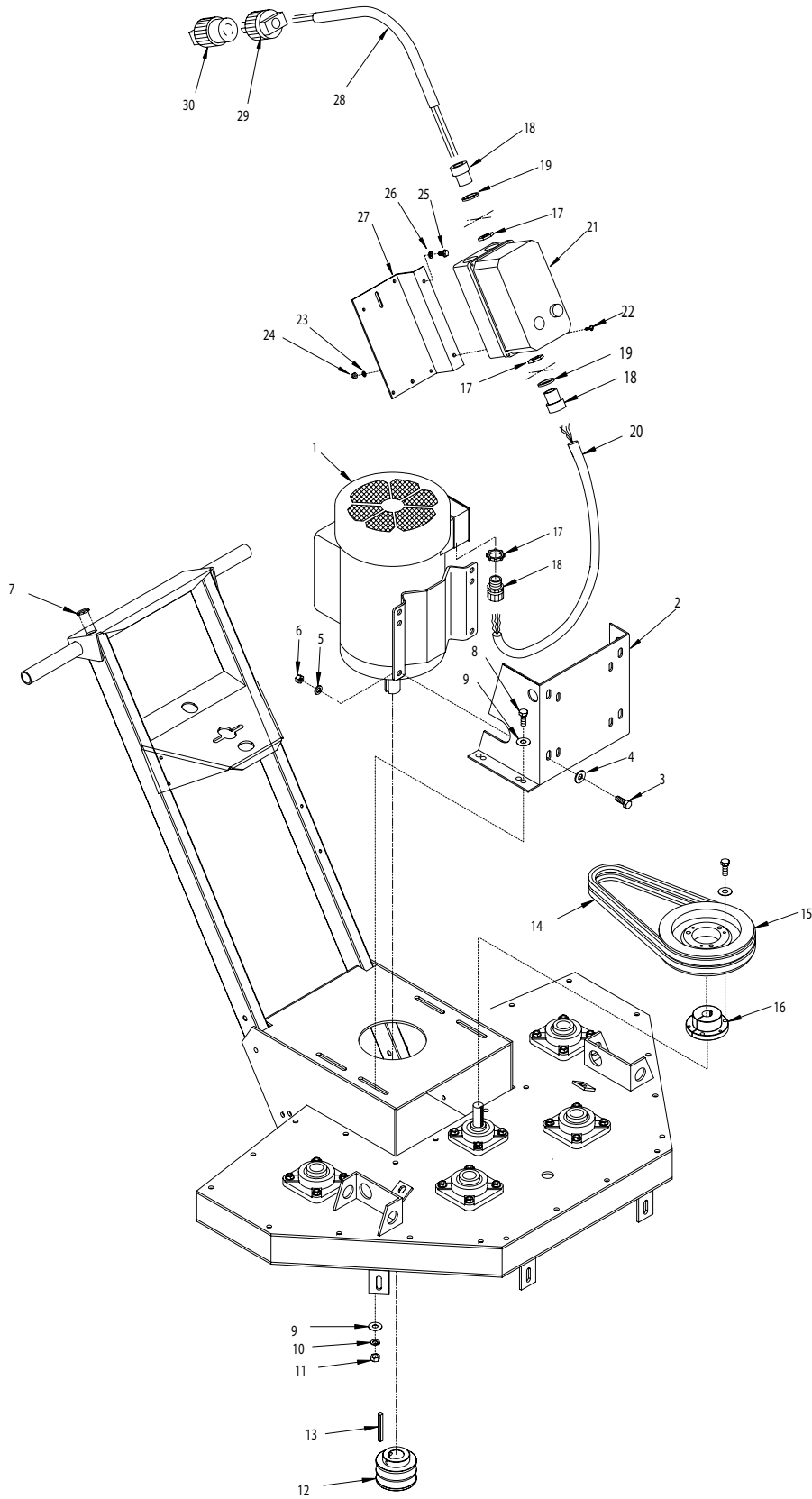
ILLUSTRATION 8 : PROPANE OPTION



PARTS LISTING - ILLUSTRATION 8 : PROPANE OPTION			
ITEM#	PART#	DESCRIPTION	QTY.
1	15012	ENGINE, HONDA 11. HP GXV340-DAP2	1
2	15126	STARTER KIT, ELECTRIC 120 VOLT AC	1
3	10031	SCREW, CAP 1/4-20 X 1	2
4	10602	WASHER, FLAT 1/4	6
5	10861	NUT, KEPS 1/4-20	2
6	77262	SCREW, CAP M6 X 1.0P X 18MM	2
7	10038	WASHER, LOCK 1/4	2
8	10602	WASHER, FLAT 1/4	2
9	77251	NUT M6x1.0MM PITCH	2
10	15102	VAPOR KIT FOR HONDA GXV340-DAP2 <i>KIT INCLUDES : FITTINGS, HOSES, CLAMPS, AND PLASTIC TIE WRAPS</i>	1
11	75021	BRKT., PROP. REG./FUEL-LOCK FILTER	1
12	10806	SCREW, CAP 5/16-18 X 1	2
13	10213	WASHER, FLAT 5/16	2
14	10801	WASHER, LOCK 5/16	2
15	10054	NUT 5/16-18	2
16	15130	PROPANE TANK 20LB. HORZ.	1
17	91122	DECAL, ARROW, RED, 3 X 3	1
18	77061	PROPANE TANK MOUNT COMPLETE INCLUDES ITEMS 19-24	1
19	77061-2	PROPANE TANK STRAP W/ HINGE	1
20	11661	SCREW, FLAT HD SLOTTED 1/4-20 X 1	2
21	77061-1	PROPANE TANK CRADLE BRACKET	1
22	77061-3	PROPANE TANK CLAW BRACKET	1
23	10861	NUT, KEPS 1/4-20	2
24	77061-4	PROPANE TANK TOGGLE CLAMP	1
25	10802	BOLT, CARRIAGE 3/8-16 X 1	4
26	10025	WASHER, FLAT 3/8	4
27	10811	WASHER, LOCK 3/8	4
28	10404	NUT 3/8-16	4



ILLUSTRATION 9 : MOTOR & BELT DRIVE GROUPING



PARTS LISTING - ILLUSTRATION 9 : MOTOR & BELT DRIVE GROUPING			
ITEM#	PART#	DESCRIPTION	QTY.
1		MOTOR, BALDOR	1
	81026	5 HP-1PH 60HZ 230V 3450RPM	
	81022	5 HP-3PH 60HZ 230/460V 3450RPM	
2	77037	MOUNT, MOTOR	1
3	10021	SCREW, CAP 3/8-24 X 1	4
4	10025	WASHER, FLAT 3/8	8
5	10811	WASHER, LOCK 3/8	4
6	10014	NUT 3/8-24	4
7	10005	PLUG, HOLE 7/8" (CHROME)	1
8	10021	SCREW, CAP 3/8-24 X 1	4
9	10025	WASHER, FLAT 3/8	8
10	10811	WASHER, LOCK 3/8	4
11	10014	NUT 3/8-24	4
12	79023	SHEAVE 3"OD X 2GR.B X 1-1/8"BORE	1
13	-----	KEY 1/4 SQ. (INCLUDED W/ MOTOR)	
14	10035	BELT 5L-330	2
15	75010	SHEAVE 6.9"OD X 2GR.B X SDS	1
16	10036	BUSHING, SHEAVE SDS X 3/4"BORE	1
17	10740	CONDUIT LOCK NUT 3/4 NP	3
18	10959	STRAIN RELIEF 3/4NPT X .550-.650"	3
19	77081	WASHER, FLAT 1-9/16 X 1-1/16 X .06	2
20		WIRE HARNESS	1
	86024	10/3 X 42"LOA (1-PHASE UNITS)	
	86023	12/4 X 42"LOA (3-PHASE UNITS)	
21		STARTER	1
	16410	11-M1-BRF-P30-26-23060 (1-PHASE, 230V UNITS)	
	16405	11-M1-BRF-P23-23-23060 (3-PHASE, 230V UNITS)	
	16406	11-M1-BRF-P14-10-46060 (3-PHASE, 460V UNITS)	
22	10362	SCREW, MACHINE 8-32 X 3/4	2
23	10461	WASHER, LOCK, INT. TOOTH #8	2
24	10462	NUT 8-32	2
25	10846	SCREW, CAP STSHW 1/4-20 X 1/2	2
26	10038	WASHER, LOCK 1/4	2
27	86027	MOUNTING BRKT., LOVATO STARTER	1
28		WIRE HARNESS	1
	86026	10/3 X 24"LOA (1-PHASE UNITS)	
	86022	12/4 X 24"LOA (3-PHASE UNITS)	
*29	40037	PLUG, LOCKING 20A/250V	1
*30	40000	PLUG CONNECTOR, LOCKING 20A/250V	1
	*NOTE:	PLUG AND CONNECTOR (ITEMS 29&30) ARE NOT INCLUDED WITH THREE PHASE UNITS.	



LIMITED EQUIPMENT WARRANTY

Equipment Development Company, Inc. herein referred to as EDCO warrants that each new unit manufactured by EDCO to be free from defects in material and workmanship in normal use and service for a period of (1) one year (except in the case of the cutter drum assembly on all model concrete asphalt planes, in which case the warranty period shall be 90 days) from date of shipment to the original retail or equipment rental center owner.

EDCO will, at its option, repair or replace, at the EDCO factory or at a point designated by EDCO any part, which shall appear to the satisfaction of EDCO inspection to have been defective in material or workmanship.

This warranty, does not apply to failure occurring as a result of abuse, misuse, negligent repairs, corrosion, erosion, normal wear and tear, alterations or modifications made to the product without express written consent of EDCO: or failure to follow the recommended operating practices and maintenance procedures as provided in the products operating and maintenance manuals.

This warranty does not obligate EDCO to bear any transportation charges in connection with the replacement or repair of defective parts. This warranty does not obligate EDCO to bear any expense for travel time or of personnel in connection with any service calls.

Accessories or equipment furnished and installed on the product by EDCO but manufactured by others, including but not limited to engines, motors, electrical equipment, transmissions, etc., shall carry the accessory manufacturers' own warranty.

THIS WARRANTY IS IN LIEU OF ALL OTHER WARRANTIES, EXPRESSED OR IMPLIED, OR STATUTORY, INCLUDING ANY WARRANTIES OF MERCHANTABILITY OR OF FITNESS FOR A PARTICULAR PURPOSE.

LIABILITY LIMITATIONS

The remedies of the user set forth under provisions of warranty outlined above are the exclusive and total liability of EDCO with the respect to their sale or the equipment and service furnished hereunder, in connection with the performance or breach thereof, or from the sale, delivery, installation, repair or technical direction covered by or furnished under the sale, whether based on contract, warranty, negligence, indemnity, strict liability, or otherwise shall not exceed the purchase price of the unit of equipment upon which such liability is based.

EDCO will not in any event be liable to the user, any successors in interest or any beneficiary or assignee relating to this sale for any consequential, incidental, indirect, special or punitive damages arising out of this sale or any breach thereof, or any defects on, or failure of, or malfunction of the equipment under this sale based upon loss of use, lost profits or revenue, interest, lost goodwill, work stoppage, impairment of other goods, loss by reason of shutdown or non-operation, increased expenses of operation of the equipment, cost of purchase or replacement power of claims of users or customers of the user for service interruption whether or not such loss or damage is based on contract, warranty, negligence, indemnity, strict liability, or otherwise.

EDCO reserves the right to modify, alter and improve any part or parts without incurring any obligation to replace any part or parts previously sold without such modified, altered or improved part or parts.

No person is authorized to give any other warranty or to assume any additional obligation on EDCO's behalf unless made in writing and signed by an officer of EDCO.

Equipment Development Company, Inc.

USE ONLY GENUINE EDCO PARTS AND ACCESSORIES

For your own safety, the safety of others and the life of your machine

