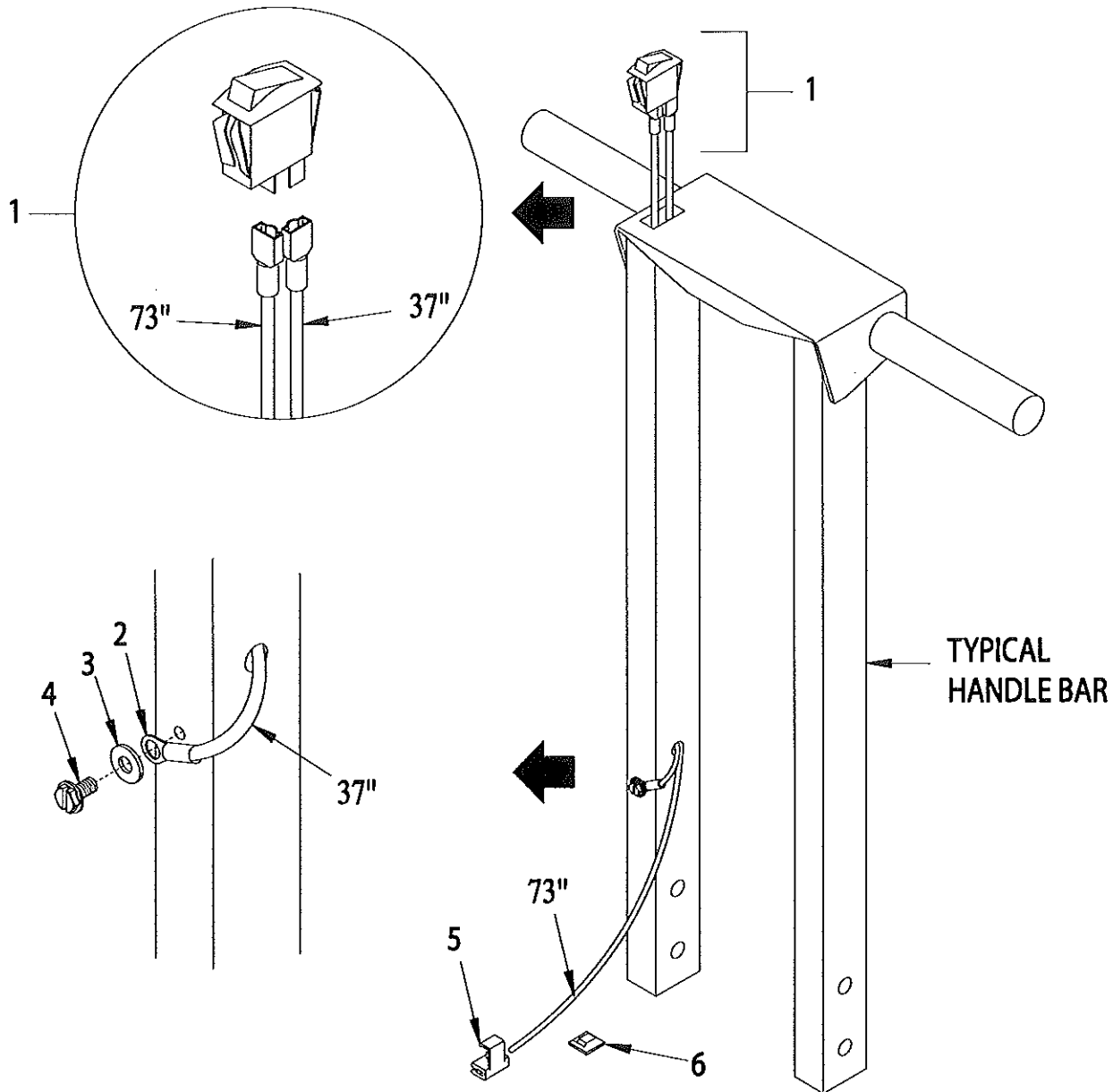


NEW STYLE ENGINE ON/OFF SWITCH ASSEMBLY



ITEM#	PART#	DESCRIPTION	QTY.
1	15201A	SWITCH SUBASSY., ROCKER ON-OFF (AVAILABLE ONLY AS COMPLETE ASSY.)	1
2	50084	TERM., RING #10 16-14GA. INSULATED (CONNECT TO ITEM 4)	1
3	10831	WASHER, LOCK, INT. TOOTH #10	1
4	10877	SCREW, CAP STSHW 10-24 X 1/2	1
5	10970	CONN., WIRE QUICK-SPLICE 18-14 GA. (SPLICE ITEM 5 WITH ENGINE STOP WIRE)	1
6	36042	CLIP, ADHESIVE BACK CORD 5/8x5/8	AS REQ'D.



100 Thomas Johnson Drive, Frederick, MD 21702-4600 USA
 Phone (301) 663-1600 • 1-800-638-3326
 Fax (301) 663-1607 • 1-800-447-3326
 Website: www.edcoinc.com • Email: sales@edcoinc.com

Printed in USA
 ©2006