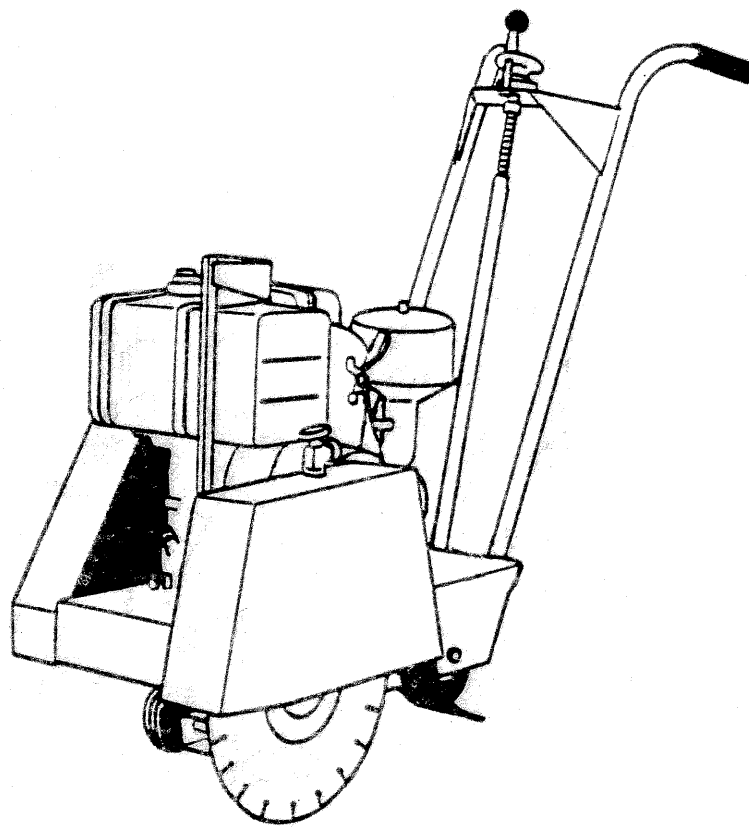


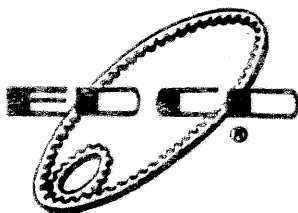
August 1, 1990

CONCRETE / ASPHALT SAW

PARTS MANUAL



Model SK-14 "Up-Cut"



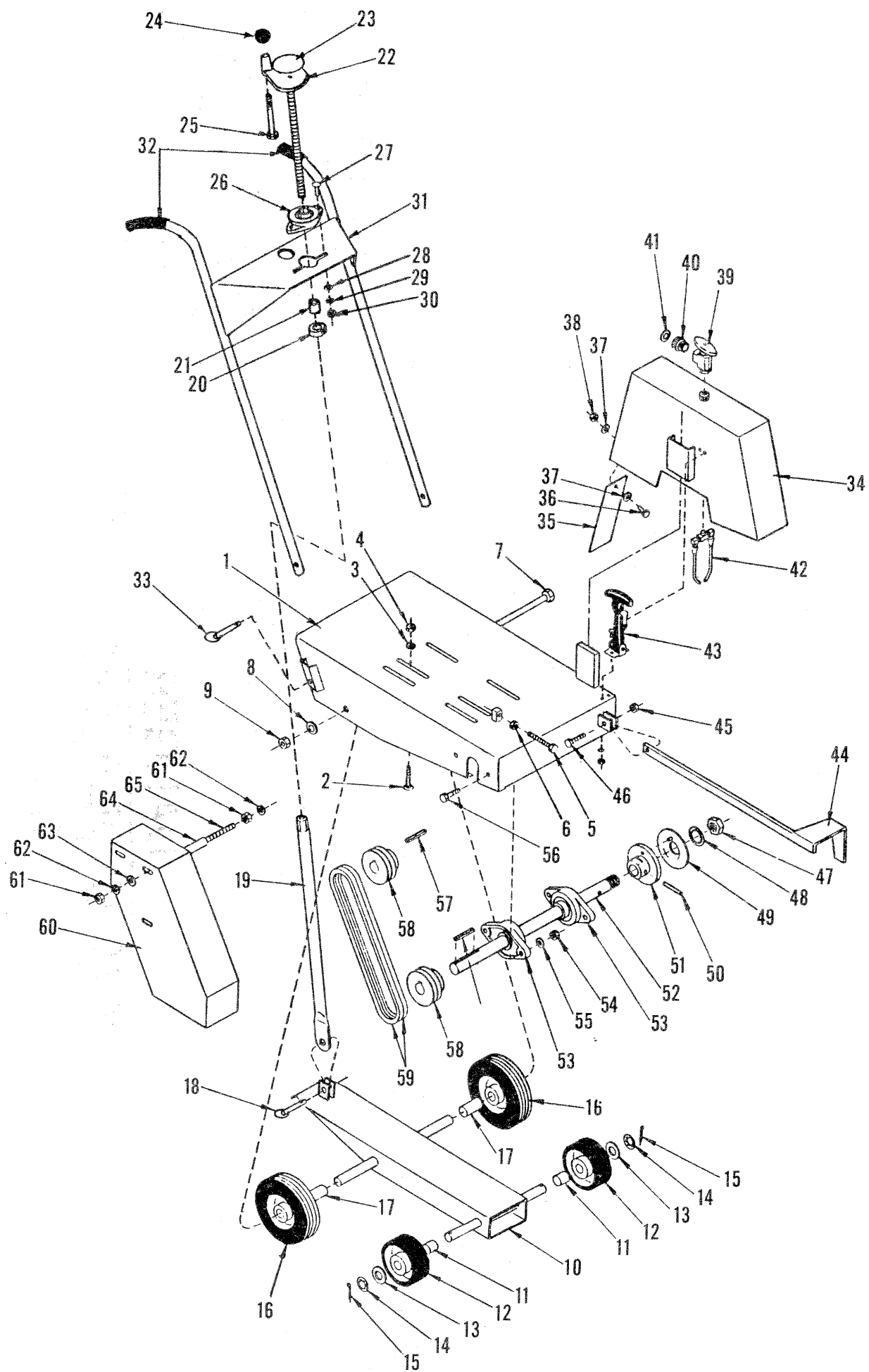
EQUIPMENT DEVELOPMENT COMPANY, INC.

100 THOMAS JOHNSON DRIVE, FREDERICK, MARYLAND 21702-4305 USA

301-663-1600

TOLL FREE 1-800-638-3326

FAX 301-663-1607



Item #	Part #	Qty.	Description	Item #	Part #	Qty.	Description
1.	52051	1	Main Frame	36.	10018	1	Screw, Cap 1/4-20 x 3/4
2.	10817	4	Bolt, Carr. 5/16-18 x 1-1/2	37.	10602	2	Washer, Flat 1/4
3.	10801	4	Washer, Lock 5/16	38.	10015	1	Nut, Lock 1/4-20
4.	10054	4	Nut 5/16-18	39.	80003	1	Valve, Angle Stop 1/2FIP
5.	52015	1	Screw, Cap 3/8-16 x 3-1/2 Full	40.	80021	1	Conn., Fem. 3/4Hose x 1/2MIP
6.	10404	1	Nut 3/8-16	41.	10070	1	Washer, Hose
7.	52014	1	Screw, Cap 1/2-13 x 14	42.	81004	1	Nozzle, Coolant (Male)
8.	10312	1	Washer, Flat 1/2	43.	52002	1	Latch, Flex. Draw w/ T-Handle
9.	10407	1	Nut, Lock 1/2-13		10830	4	Screw, Mach. 10-32 x 1/2
10.	52004	1	Fork (Under Carriage)		10831	4	Washer, Int. Tooth #10
11.	52010	2	Spacer 3/4ID x 15/16		10832	4	Nut 10-32
12.	52001	2	Wheel, 4 x 1.5 x 3/4Brg.	44.	52054	1	Guide Bar
13.	10009	2	Washer, Flat 3/4	45.	10004	1	Nut, Lock 3/8-24
14.	20050	2	Clip, Retaining 3/4	46.	10309	1	Screw, Cap 3/8-24 x 1-1/4
15.	10306	2	Pin, Cotter 3/16 x 1-1/2	47.	50019	1	Nut, Jam 1-1/4
16.	80028	2	Wheel 6 x 2 x 3/4Brg.	48.	55009	1	Washer, Int. Tooth 1"
17.	52011	2	Spacer, Wheel 3/4ID x 1-7/8	49.	56019	1	Arbor, Blade Retaining Cap
18.	10125	1	Pin, Detent Ring 1/2 x 1-1/2	50.	10211	1	Pin, Roll 5/16 x 2
19.	52016	1	Linkage, "Cut Control"	51.	56008	1	Arbor, Backing Plate
20.	10046	1	Nut 5/8-11	52.	69050	1	Arbor Shaft 1"RD x 18-1/2
21.	55010	1	Spacer, Handwheel 5/8ID x 3/4	53.	62022	2	Bearing, Ball 1" 2-Hole
22.	80008	1	Handwheel w/ 5/8-11 x 12	54.	10004	4	Nut, Lock 3/8-24
23.	80007	1	Decal, "Cut Control"	55.	10025	4	Washer, Flat 3/8
24.	14023	1	Knob, Ball 1/2-13 x 1-3/8 Rd.	56.	10309	4	Screw, Cap 3/8-24 x 1-1/4
25.	81001	1	Screw, Cap 1/2-13 x 4	57.	10301	2	Key 1/4 Sq. x 1-1/2
26.	80009	1	Bearing, Ball 5/8 2-Hole	58.	10109	2	Sheave 3"OD x 2Gr.A x 1"Bore
27.	10412	2	Bolt, Carr. 1/4-20 x 1	or 80027	2	Sheave 3"OD x 3Gr.A x 1"Bore	
28.	10602	2	Washer, Flat 1/4	59.	10253	2 or 3	Belt AP-27
29.	10038	2	Washer, Lock 1/4	60.	52053	1	Cover, Belt
30.	10013	2	Nut 1/4-20	61.	10404	6	Nut 3/8-16
31.	52019	1	Handle Bar	62.	10811	6	Washer, Lock 3/7
32.	79022	2	Grip, Hand 1" Hunt	63.	10025	3	Washer, Flat 3/8
33.	10125	2	Pin, Detent Ring 1/2 x 1-1/2	64.	52012	3	Spacer, 3/8ID x 3-13/16
34.	52052	1	Guard, Blade 14"	65.	52013	3	Stud, 3/8-16 x 5-1/2
35.	52017	1	Flap, Splash				

POWER OPTIONS (NOT SHOWN)

15015	Engine, Kohler 8 H.P.	15013	Engine, B & S 10 H.P.
4853	Engine, B & S 8 H.P.	79045	Engine, Honda 11 H.P.
76025	Engine, Honda 8 H.P.		

IMPORTANT!!!

When ordering parts, please specify the MODEL and SERIAL number of the machine as given on the name plate and give part number, quantity, and description as listed on the parts list.

PRODUCT IMPROVEMENT LIABILITY DISCLAIMER

The EQUIPMENT DEVELOPMENT COMPANY INC. reserves the right to make any changes in or improvements on its products without incurring any liability or obligation whatever and without being required to make any corresponding changes or improvements in products previously manufactured or sold.