

REVISED STARTING SERIAL # 061010077

PARTS MANUAL MODEL SEC



SINGLE-DISC CONCRETE FLOOR GRINDER

SKU NO.	MODEL NO.	POWER OPTION
50200	SEC-1.5L	LEESON MOTOR 1.5HP-1PHASE-60HZ-115/230 VOLT-17.2/8.6 AMPS
52500	SEC-1.75L/50/1	LEESON MOTOR 1.75HP-1PHASE-50HZ-110/220 VOLT-18.8/9.4 AMPS

100 Thomas Johnson Drive, Frederick, MD 21702-4600 USA
 Phone (301) 663-1600 • 1-800-638-3326
 Fax (301) 663-1607 • 1-800-447-3326
 Website: www.edcoinc.com • Email: sales@edcoinc.com

Printed in USA
 ©2006

READ AND UNDERSTAND THE OPERATORS INSTRUCTION MANUAL THOROUGHLY BEFORE ATTEMPTING TO OPERATE THIS EQUIPMENT. Death or serious injury could occur if this machine is used improperly.



SAFETY MESSAGES



The safety instructions are preceded by a graphic alert message of DANGER, WARNING, or CAUTION.



Indicates an imminent hazard which, if not avoided, will result in death or serious injury.



Indicates an imminent hazard which, if not avoided, can result in death or serious injury.



Indicates hazards which, if not avoided, could result in serious injury and or damage to the equipment.

GASOLINE Powered Equipment



- Do not operate gasoline powered equipment without adequate ventilation. Carbon monoxide is an invisible, odorless gas that can kill.

ELECTRICAL Powered Equipment



- ELECTRICAL HAZARD** - Be sure equipment is properly grounded. Failure to comply could kill or result in serious injury.



The engine exhaust from this product contains chemicals known to the State of California to cause cancer, birth defects or other reproductive harm.

GENERAL INSTRUCTIONS



- You must read and understand the operators instruction manual and all other manuals associated with this machine. For your safety and the safety of others around you, it is extremely important to fully understand how to operate this machine in the way it was intended. Different model machines or older/newer versions of the same model may have different parts and controls that you need to understand. If instructions are not readable or available DO NOT USE this machine and contact the factory for a replacement Manual.
- You must be able to physically handle the bulk weight and power of this machine. If not properly controlled this machine can cause death or serious injury.
- Do not operate this machine in an impaired mental state. You must be able to exercise good judgement and reactions to maintain a safe working environment.
- This is a "one person" machine which means only one operator can be operating the machine at any one time. For the safety of others, maintain a safe operating distance to other personnel. Your work area should be defined and appropriately marked so bystanders and coworkers do not stand or walk near this machine and end up seriously injured by flying debris or exposing them to harmful noise or dust.
- This equipment is for Commercial use. Although this is a "one person" machine your work team should understand how to shut this machine off and quickly get medical help if an accident strikes the operator.
- Keep all guards in place during operation. The guards are to provide protection from inadvertent contact with dangerous moving parts, pinch points, or hot surfaces.
- Wear appropriate Personal Protective Equipment (PPE) including safety glasses, safety boots, work gloves, respiratory protection, hearing protection, and head protection. Do not wear loose clothing that can get tangled in moving parts. Failure to do so could result

in dismemberment or death. **Wear an approved respirator when removing hazardous materials or when grinding/cutting dry materials. Some dust particles such as concrete dust can contain silicate particles which can cause silicosis (a very serious lung disease). Contact NIOSH or OSHA for further details. When wet grinding/cutting, avoid contact with the concrete/asphalt slurry which can cause serious skin irritations.**

- You must maintain this machine per the maintenance schedule in the operator manual. Remember before adjusting, servicing, or fueling this machine, disconnect the source of power to the machine by disconnecting the spark plug (Gas models), or by unplugging the electrical power cord (electric models) or air hose (Pneumatic models) AT THE MACHINE so you can assure yourself it remains unplugged while you are working on it. Do not modify this machine. Use only genuine EDCO parts and accessories. Repairs and service should be performed by approved EDCO dealers or authorized technicians.
- You should look carefully around the area before you begin work so you can identify potential hazards such as deck inserts, pipes, columns, openings, electrical cords or outlets, or any other objects protruding from the slab surface.
- This machine has no brain so you must use your own. There is no substitute for safety. The safety decals on the machine are to serve as a reminder for information you must already know before you begin using this machine. Take a moment to reread the safety decals each time you use the machine. If your machine is missing any decals, contact the factory for a replacement (EDCO 1-800-638-3326).

PARTS MANUAL

MODEL SEC

<u>Section</u>	<u>Page Number</u>
Safety Messages/General Instructions	2
How To Order Replacement Parts	3
Illustration 1: Main Grouping	4,5
Illustration 2: Motor Grouping	6,7
Illustration 3: Multi-Accessory Disc Assembly	8
Startup Packs	9
Illustration 4: Dyma-Sert™ Accessory	9
Illustration 5: Strip-Sert™ Accessory	10
Illustration 6: Optional Pad Driver Disc Assembly	11
Other Accessories	11
Limited Equipment Warranty	Back Page

HOW TO ORDER REPLACEMENT PARTS

- To insure product safety and reliability, always use genuine EDCO replacement parts when making repairs to the equipment.
- When calling for parts, specify the MODEL and SERIAL NUMBER of the machine which can be found on the NAME PLATE. Keep that information in the space provided. In addition to this information, give part number, description and quantity as listed on the parts list to your parts representative.
- Please note: Due to improvements and changes in the equipment, the illustrations shown may be different than the actual machine.

FILL IN INFORMATION BELOW

Date of Purchase _____

Name of Machine _____

Model # _____

Serial # _____

Belt Size(s) _____

Toll Free: 1-800-638-3326

FAX: 1-800-447-3326

email: sales@edcoinc.com

www.edcoinc.com



100 Thomas Johnson Drive, Frederick, MD 21702-4600 USA

Phone (301) 663-1600 • 1-800-638-3326

Fax (301) 663-1607 • 1-800-447-3326

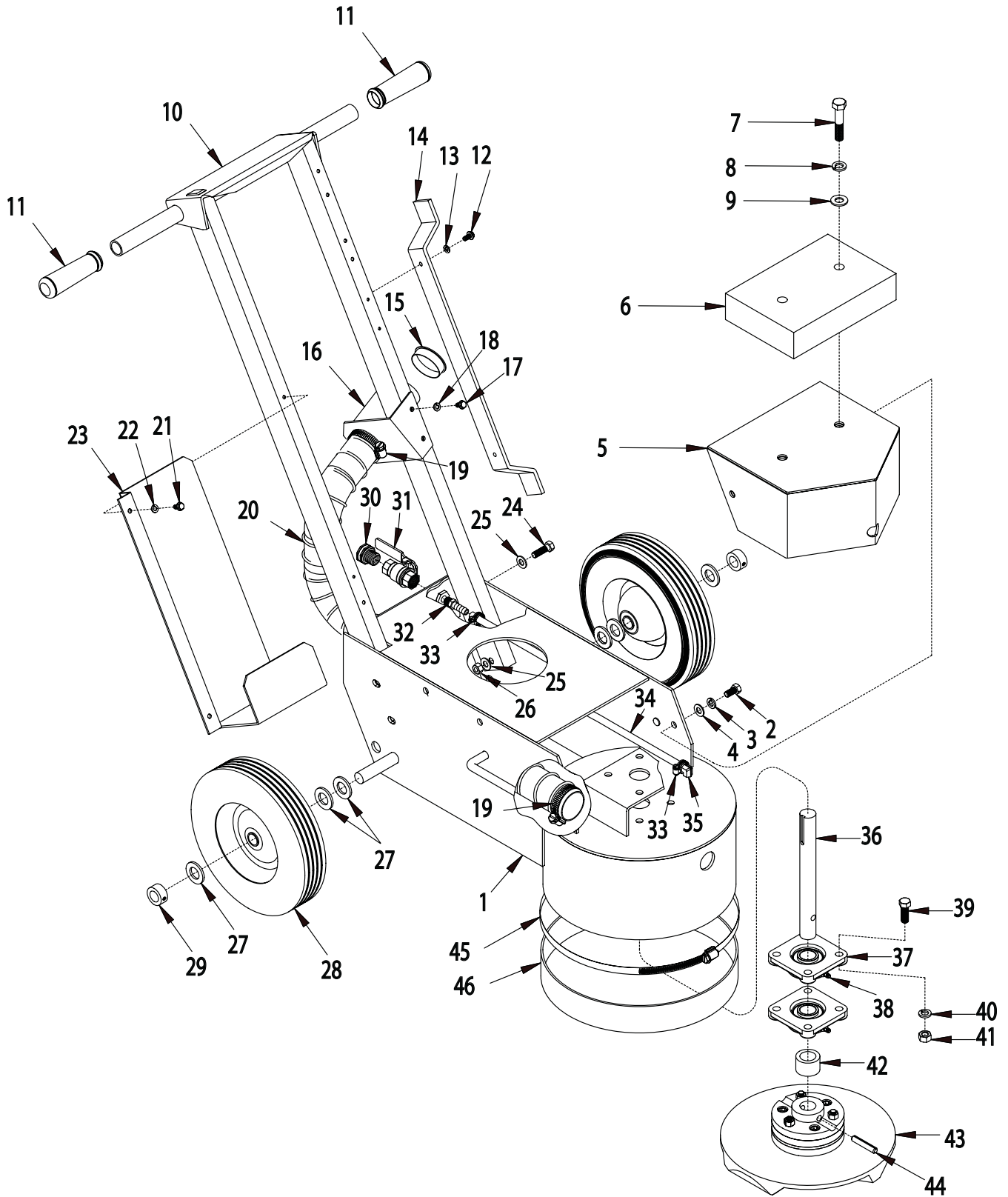
Website: www.edcoinc.com • Email: sales@edcoinc.com

Printed in USA

©2006

Page 3

ILLUSTRATION 1 : MAIN GROUPING



PARTS LISTING - ILLUSTRATION 1 : MAIN GROUPING

ITEM#	PART#	DESCRIPTION	QTY.	ITEM#	PART#	DESCRIPTION	QTY.
1	86401	MAIN FRAME	1	26	10004	NUT, LOCK 3/8-24	4
2	10907	SCREW, CAP 3/8-16 X 3/4	2	27	10009	WASHER, FLAT 3/4 SAE	6
3	10811	WASHER, LOCK 3/8	2	28	28003	WHEEL 10 X 2-1/4 X 3/4"BRG	2
4	10025	WASHER, FLAT 3/8 SAE	2	29	10428	COLLAR, LOCKING 3/4"ID	2
5	86402	HOOD	1	30	80021	CONN., SWIVEL FEM. 3/4HOSE X 1/2MPT	1
6	86345	WEIGHT BLOCK, 30 LB.	1		10070	WASHER, HOSE 3/4 (INCLUDED W/ ITEM 30)	
7	10323	SCREW, CAP 1/2-13 X 2-1/2	2	31	10711	VALVE, BALL 1/2 FPT	1
8	10045	WASHER, LOCK 1/2	2	32	50075	BARB, 3/8HOSE X 1/4MPT (BRASS)	1
9	10312	WASHER, FLAT 1/2 SAE	2	33	50069	CLAMP, HOSE, SAE #6, ADJ. TO 13/16	2
10	86304	HANDLE BAR	1	34	86424	HOSE 3/8"ID X 20"L	1
11	10608	GRIP, HAND 1" MODEL AT	2	35	11562	BARB ELBOW 90, 3/8 HOSE X 1/8 MPT	1
12	10846	SCREW, CAP STSHW 1/4-20 X 1/2	2		10864	NUT 1/8-27 PIPE THREAD	1
13	10038	WASHER, LOCK 1/4	2	36	86416	SHAFT, DRIVEN 1" X 9"L	1
14	86419	HOLDER, POWER CORD	1	37	77008	BEARING, BALL 1" 4-HOLE FLANGE, ND	2
15	65021	CAP/PLUG 2" RED PLASTIC, FLANGED	1	38	10808	FITTING, GREASE 1/4-28 STRAIGHT	2
16	86347	BRACKET, MULTI-VAC PORT 2-3"	1	39	10003	SCREW, CAP 7/16-20 X 1-1/4	8
17	10846	SCREW, CAP STSHW 1/4-20 X 1/2	2	40	10450	WASHER, LOCK 7/16	8
18	10038	WASHER, LOCK 1/4	2	41	10481	NUT 7/16-20	8
19	10766	CLAMP, HOSE, SAE #28, ADJ. TO 2-1/4	2	42	86232	SPACER 1"	1
20	86328	HOSE, FLEXIBLE 2"ID X 32"	1	43	8888	DISC ASSY. COMPLETE, MULTI-ACCY. RH	1
21	10846	SCREW, CAP STSHW 1/4-20 X 1/2	2			<i>REFER TO ILLUS. 3 FOR BREAKDOWN</i>	
22	10038	WASHER, LOCK 1/4	2	44	10063	PIN, ROLL 3/8 X 2	1
23	86417	TRAY, TOOL BOX	1	45	86420	CLAMP, HOSE SAE #200, ADJ. TO 13"	1
24	10029	SCREW, CAP 3/8-24 X 1-3/4	4	46	86423	RUBBER SKIRT, 2"H X 38-1/8"L	1
25	10025	WASHER, FLAT 3/8 SAE	8				



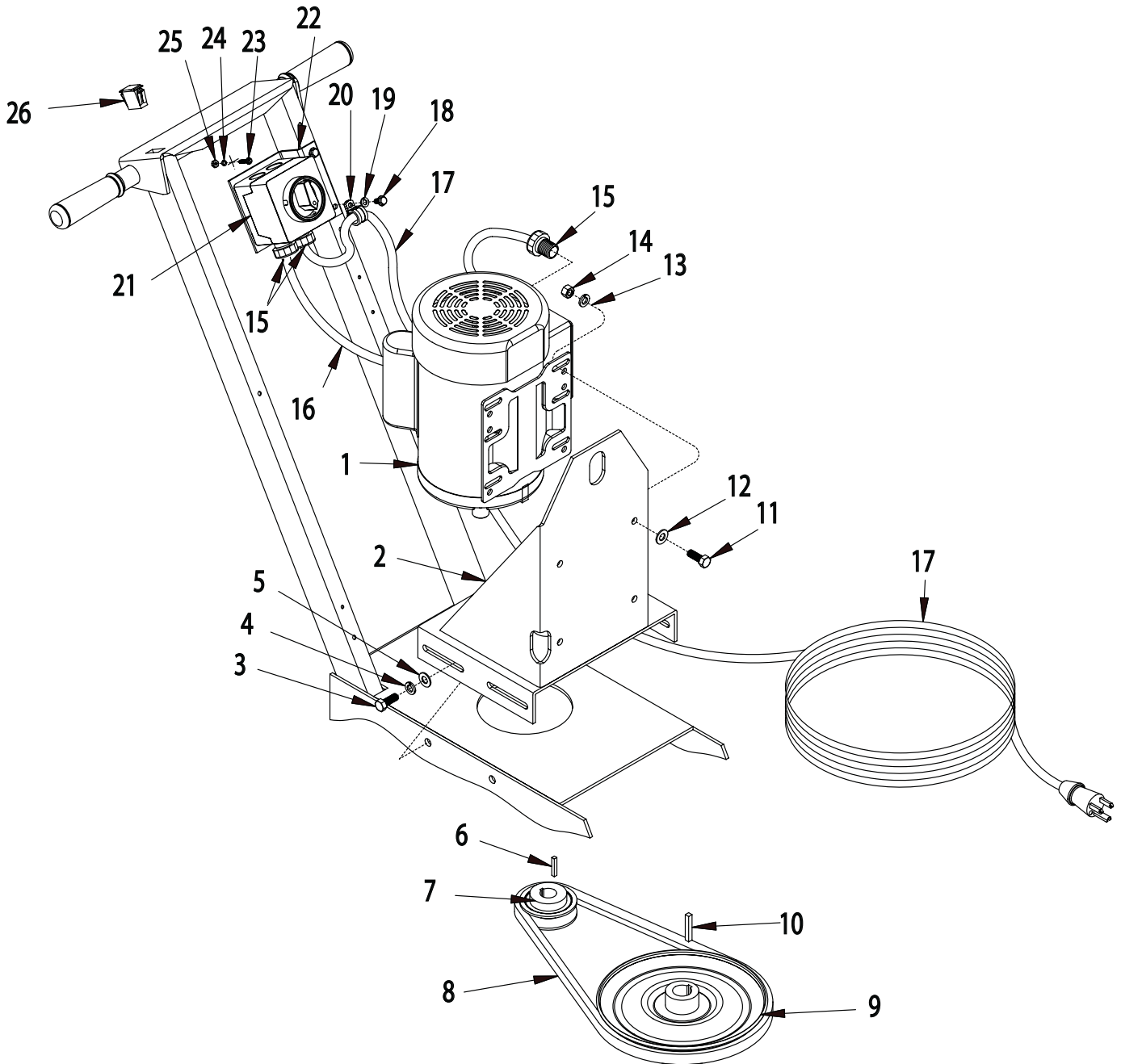
100 Thomas Johnson Drive, Frederick, MD 21702-4600 USA
 Phone (301) 663-1600 • 1-800-638-3326
 Fax (301) 663-1607 • 1-800-447-3326
 Website: www.edcoinc.com • Email: sales@edcoinc.com

Printed in USA

©2006

Page 5

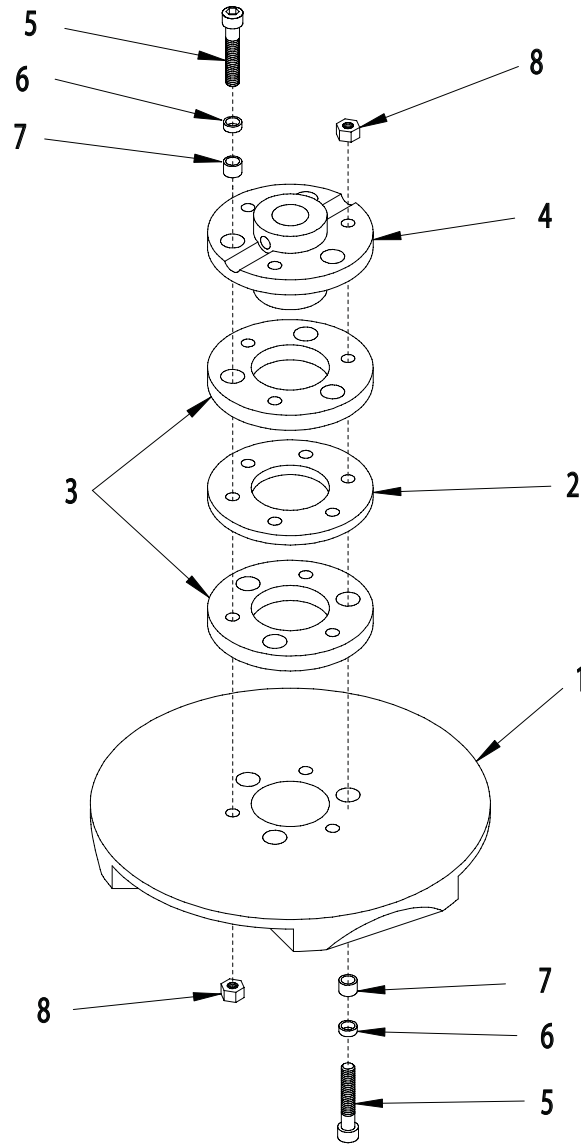
ILLUSTRATION 2 : MOTOR GROUPING



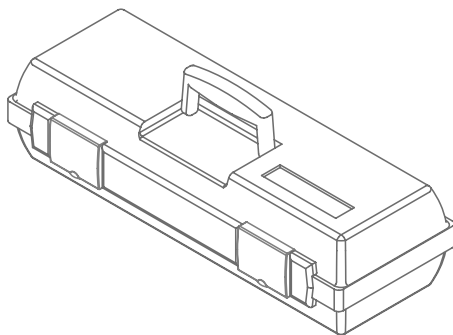
PARTS LISTING - ILLUSTRATION 2 : MOTOR GROUPING			
ITEM#	PART#	DESCRIPTION	QTY.
1	16035	MOTOR, LEESON 1.5HP-1P-60HZ-1725RPM-115/230V	1
		<u>REPLACEMENT PARTS:</u>	
	16159	CAPACITOR, RUN, LEESON 003014.20 (20MFD 240V)	1
	16178	CAPACITOR, START, LEESON 003025.15 (500MFD 125V)	1
	16179	RESET BUTTON, LEESON 300033.02 (CED2705)	1
	16060	MOTOR, LEESON 1.75HP-1PH-50HZ-1425RPM-110/220V	1
		<u>REPLACEMENT PARTS:</u>	
	16191	CAPACITOR, START, LEESON 003025.11 (650MFD 125V)	1
	16183	CAPACITOR, RUN, LEESON 003014.13 (65MFD 240V)	2
	16133	RESET BUTTON, LEESON 2 HP, BRJ42DA	1
2	86404	MOUNT, MOTOR	1
3	10055	SCREW, CAP 3/8-16 X 1	4
4	10811	WASHER, LOCK 3/8	4
5	10025	WASHER, FLAT 3/8 SAE	4
6	-----	KEY 3/16 SQ X 1-3/8 (INCLUDED W/ MOTOR)	1
7	77017	SHEAVE 3"OD X 1GR.B X 7/8"BORE	1
8	10277	BELT BP-38	1
9	86009	SHEAVE 9"OD X 1GR.B X 1"BORE	1
10	40317	KEY 1/4SQ X 1-5/8	1
11	10806	SCREW, CAP 5/16-18 X 1	4
12	10213	WASHER, FLAT 5/16 SAE	4
13	10801	WASHER, LOCK 5/16	4
14	10054	NUT 5/16-18	4
15	40066	STRAIN RELIEF 1/2NPT X .350-.450"	3
	10790	CONDUIT LOCK NUT 1/2 NP	3
16	77045	WIRE HARNESS 12/3 X 42"LOA	1
17	86422	CORD W/ PLUG, 25FT. POWER	1
18	10846	SCREW, CAP STSHW 1/4-20 X 1/2	2
19	10038	WASHER, LOCK 1/4	2
20	11690	CLAMP, LOOM, 3/8"	1
21	77043	SWITCH, ROTARY CAM ON/OFF, LOVATO	1
22	77042	BRACKET, LOVATO ROTARY CAM SWITCH	1
23	11663	SCREW, MACHINE 8-32 X 1/2	4
24	10461	WASHER, LOCK, INT. TOOTH #8	4
25	10462	NUT 8-32	4
26	15204	PLUG, RECT. HOLE, PLASTIC SNAP-IN	1



ILLUSTRATION 3 : MULTI-ACCESSORY DISC ASSEMBLY



#8888 DISC ASSEMBLY COMPLETE, RIGHT HAND (1 REQ'D.)			
ITEM #	PART#	DESCRIPTION	QTY.
1	77088	DISC, MULTI-ACCESSORY R.H. FOR #8888 ASSY.	1
2	77020	RING, HUB CARRIER, 6-HOLE	1
3	10112	RING, NEOPRENE, 4-1/2"ODx1/2"THK	2
4	77010	HUB, ALUMINUM 6-HOLE (GRINDER)	1
5	10114	SCREW, SKT. HD. CAP 3/8-24 X 2-1/4	6
6	10113	SPACER, STEEL 9/16OD X 3/8ID X 7/32"	6
7	10011	SPACER, STEEL 5/8OD X 3/8ID X 3/8"	6
8	10004	NUT, LOCK 3/8-24	6

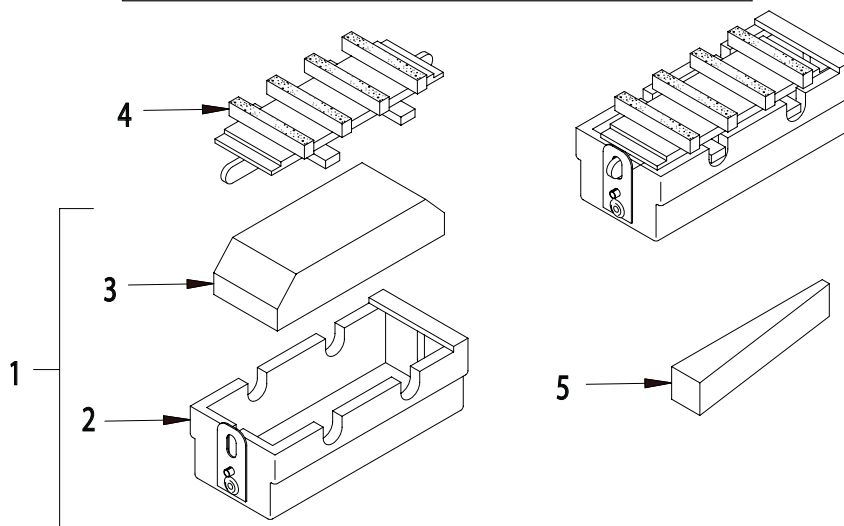


REFER TO ILLUS. 4 FOR BREAKDOWN OF DYMA-SERT ACCESSORY

REFER TO ILLUS. 5 FOR BREAKDOWN OF STRIP-SERT ACCESSORY

STARTUP PACKS	
#A113	GRINDER STARTUP PACK 3 W/ TOOL BOX <i>INCLUDES:</i>
(3)	19110 DYMA-SERT, EG-1X, 30-40 GRIT
(3)	19120 CG221D DYMA-SERT HOLDING CASE W/PAD
(6)	12160 HARDWOOD WEDGE
(1)	12003 HAMMER, BALL PEIN 16 OZ.
(1)	12006 PUNCH, GRINDER WEDGE, 5/8SQ X 9
(1)	12001 TOOL BOX, BLACK, DYMA-SERTS
#A115	GRINDER STARTUP PACK 5 W/ TOOL BOX <i>INCLUDES:</i>
(3)	12400 ASSY. W/ PRO-TUNGSERT
(3)	12402 EXTRA PRO-TUNGSERT
(6)	12160 HARDWOOD WEDGE
(1)	12003 HAMMER, BALL PEIN 16 OZ.
(1)	12006 PUNCH, GRINDER WEDGE, 5/8SQ X 9
(1)	12002 TOOL BOX, RED, STRIP-SERTS

ILLUSTRATION 4 : DYMA-SERT™ ACCESSORY

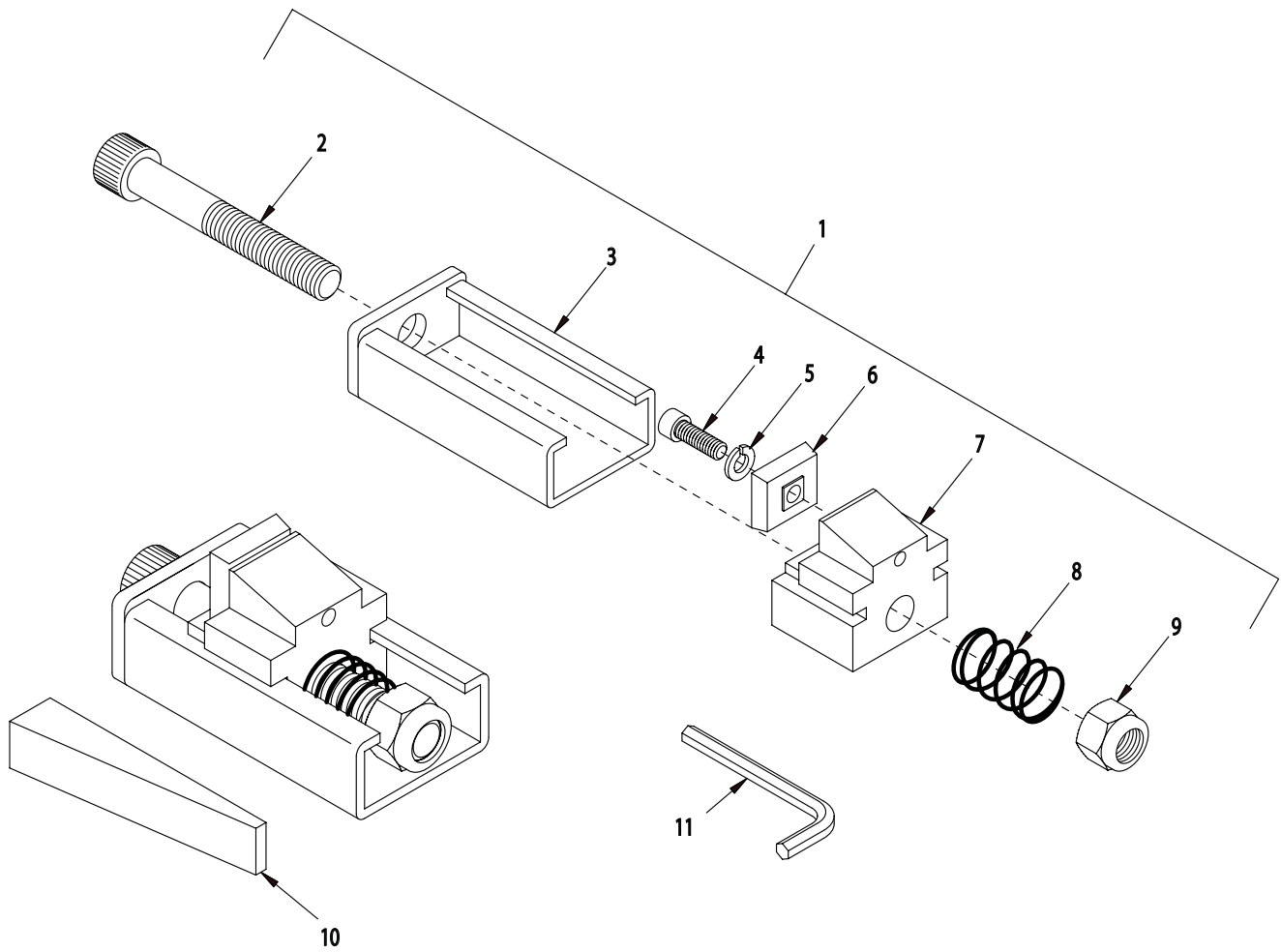


ITEM#	PART#	DESCRIPTION	QTY.
1	19120	CG221D DYMA-SERT HOLDING CASE W/PAD (INCLUDES ITEMS 2 & 3)	3
2	19121	DYMA-SERT HOLD. CASE INC CLIP & RIVET	1
3	19140	RUBBER SHOCK PAD, DYMA-SERT	1
4	-----	DYMA-SERT ASSEMBLY (SOLD SEPARATELY)	3
	19110	EG-1X, 30-40 GRIT (GENERAL PURPOSE)	
	19130	EG-2X, 30-40 GRIT (ABRASIVE CONCRETE)	
	19180	EG-3X, 30-40 GRIT (EPOXY MORTARS)	
	19250	EG-5X, 50 GRIT (TERRAZZO)	
	19260	EG-7X, 80 GRIT (TERRAZZO)	
	19270	EG-9X, 120 GRIT (TERRAZZO)	
5	12160	WEDGE CG225, HARDWOOD	3

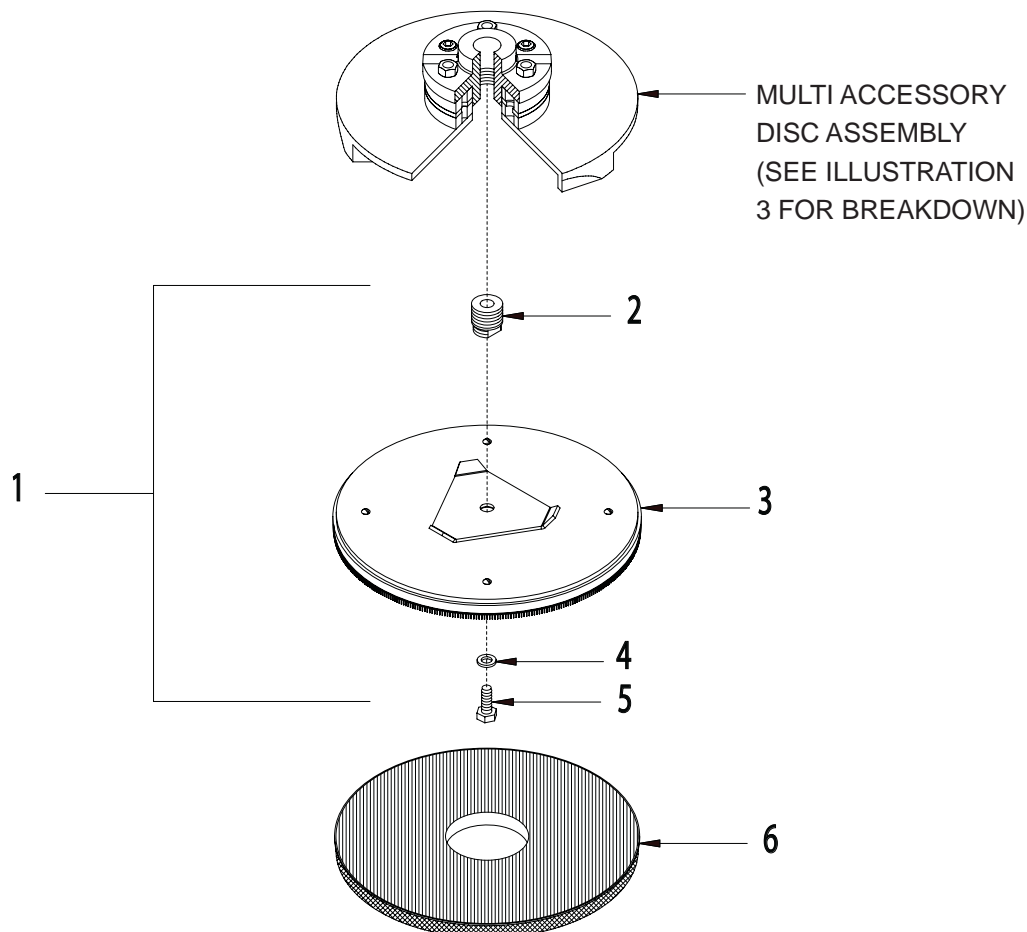


100 Thomas Johnson Drive, Frederick, MD 21702-4600 USA
 Phone (301) 663-1600 • 1-800-638-3326
 Fax (301) 663-1607 • 1-800-447-3326
 Website: www.edcoinc.com • Email: sales@edcoinc.com

ILLUSTRATION 5 : STRIP-SERT™ ACCESSORY



ITEM#	PART#	DESCRIPTION	QTY.
1		STRIP-SERT ASSEMBLY	3
	12400	ASSY. WITH PRO TUNGSERT (ITEMS 2-9)	
	12401	ASSY. W/O PRO TUNGSERT, ITEM 6	
2	12405	SCREW, SKT.HD.CAP 1/2-13 X 3.5,GR.8	1
3	12404	TUNGSERT HLDR, STRIP-SERT(RE D BOX)	1
4	11573	SCREW, SKT. HD. CAP 1/4-20 X 3/4	1
5	11688	WASHER, HI-COLLAR LOCK .26ID X .363	1
6	12402	PRO TUNGSERT, 4 SIDED CARBIDE	1
or	12407	PRO TUNGSERT (PACK OF 6 INCLUDING: SIX OF ITEMS 4, 5, & 6 AND ONE OF ITEM 11)	
7	12403	TUNGSERT BLOCK, STRIP-SERT	1
8	12406	SPRING, COMP. .765"OD X 1.25"FL	1
9	10155	NUT, HEX NYLON LOCK 1/2-13	1
10	12160	WEDGE CG225, HARDWOOD	1
11	12413	WRENCH, HEX L-KEY 3/16", SHORT-ARM	1

ILLUSTRATION 6 : OPTIONAL PAD DRIVER DISC ASSEMBLY

ITEM #	PART#	DESCRIPTION	QTY.
1	76040	PAD DRIVER DISC ASSEMBLY (INCLUDES ITEMS 2-5)	1
2	76042	HUB STUD, PAD DRIVER	1
3	76041	DISC ONLY 11", PAD DRIVER	1
4	10312	WASHER, FLAT 1/2	1
5	10304	SCREW, CAP 1/2-20 X 1	1
6	13013	SILABIDE PAD, 11" MEDIUM	2

OTHER ACCESSORIES:

GRINDING STONES, SCARIFIER ASSEMBLIES, WIRE BRUSHES, AND DIAMOND POLISHING DISC ARE ALSO AVAILABLE. REFER TO PRICE LIST CATALOG OR CALL YOUR LOCAL EDCO REPRESENTATIVE FOR INFORMATION.



100 Thomas Johnson Drive, Frederick, MD 21702-4600 USA
 Phone (301) 663-1600 • 1-800-638-3326
 Fax (301) 663-1607 • 1-800-447-3326
 Website: www.edcoinc.com • Email: sales@edcoinc.com

Printed in USA

©2006

Page 11

LIMITED EQUIPMENT WARRANTY OF SALE – TERMS & CONDITIONS

Equipment Development Company, Inc. herein referred to as EDCO (Seller) warrants that each new unit manufactured by EDCO to be free from defects in material and workmanship in normal use and service for a period of (1) one year (except for the cutter drum assembly on all model concrete/asphalt planes, in which case the warranty period shall be 90 days) from date of shipment to the original retail or equipment rental center owner.

Accessories or equipment furnished and installed on the product by EDCO but manufactured by others, including, but not limited to engines, motors, electrical components, transmissions etc., shall carry the accessory manufacturers own warranty.

EDCO will, at its option, repair or replace, at the EDCO factory or at a point designated by EDCO, any part which shall appear to the satisfaction of EDCO inspection to have been defective in material or workmanship.

EDCO reserves the right to modify, alter and improve any part or parts without incurring any obligation to replace any part or parts previously sold without such modified, altered or improved part or parts.

This warranty is in lieu of and excludes all other warranties, expressed, implied, statutory, or otherwise created under applicable law including, but not limited to the warranty of merchantability and the warranty of fitness for a particular purpose in no event shall seller or the manufacturer of the product be liable for special, incidental, or consequential damages, including loss of profits, whether or not caused by or resulting from the negligence of seller and/or the manufacturer of the product unless specifically provided herein. In addition, this warranty shall not apply to any products or portions thereof which have been subjected to abuse, misuse, improper installation, maintenance, or operation, electrical failure or abnormal conditions and to products which have been tampered with, altered, modified, repaired, reworked by anyone not approved by seller or used in any manner inconsistent with the provisions of the above or any instructions or specifications provided with or for the product

FORCE MAJEURE

Seller's obligation hereunder are subject to, and Seller shall not be held responsible for, any delay or failure to make delivery of all or any part of the Product due to labor difficulties, fires, casualties, accidents, acts of the elements, acts of God, transportation difficulties, delays by a common carrier, inability to obtain Product, materials or components or qualified labor sufficient to timely perform part of or all of the obligations contained in these terms and conditions, governmental regulations or actions, strikes, damage to or destruction in whole or part of manufacturing plant, riots, terrorist attacks or incidents, civil commotions, warlike conditions, flood, tidal waves, typhoon, hurricane, earthquake, lightning, explosion or any other causes, contingencies or circumstances within or without the United States not subject to the Seller's control which prevent or hinder the manufacture or delivery of the Products or make the fulfillment of these terms and conditions impracticable. In the event of the occurrence of any of the foregoing, at the option of Seller, Seller shall be excused from the performance under these Terms and Conditions, or the performance of the Seller shall be correspondingly extended.

This document sets forth the terms and conditions pursuant to which the purchaser ("Purchaser") will purchase and Equipment Development Co.Inc. ("Seller") will sell the products, accessories, attachments (collectively the Products ") ordered by the Purchaser. These terms and conditions shall govern and apply to the sale of Seller's Products to Purchaser, regardless of any terms and conditions appearing on any purchase order or other forms submitted by Purchaser to Seller, or the inconsistency of any terms therein and herein.

1. PRICE

All prices set forth on any purchase order or other document are F.O.B. Sellers facility or distribution point, as may be determined by Seller (F.O.B.Point). All prices are exclusive of any and all taxes, including, but not limited to, excise, sales, use, property or transportation taxes related to the sale or use of the Products, now or hereafter imposed, together with all penalties and expenses. Purchaser shall be responsible for collecting and/or paying any and all such taxes, whether or not they are stated in any invoice for the Products. Unless otherwise specified herein, all prices are exclusive of inland transportation, freight, insurance and other costs and expenses relating to the shipment of the Products from the F.O.B. point to Purchaser's facility. Any prepayment by Seller of freight insurance and other costs shall be for the account of Purchaser and shall be repaid to Seller.

2. PAYMENT TERMS

Payment terms are as follows. 2% 10 days (to approved and qualified accounts). Net 30 days. This is a cash discount for invoices paid within 10 days after the invoice date, regardless of date of receipt of shipment. This is not a trade discount and will not be granted to accounts that do not adhere to stated terms.

*All past due accounts are subject to a late payment fee of 1.5% per month or a maximum allowed by law if different, along with the expenses incidental to collection including reasonable attorney's fees and costs.

*Seller reserves the right to hold shipments against past due accounts.

*Seller reserves the right to alter payment terms.

3. FREIGHT TERMS

All shipments will be made F.O.B. shipping point as designated in these Terms and Conditions, and title shall pass at the F.O.B. point. Delivery to the initial common carrier shall constitute delivery to the Purchaser. Any claims for loss or damage during shipment are to be filed with carrier by the Purchaser. Seller will not assume responsibility for the performance of the carrier.

Back orders will be shipped in the most practical fashion with charges consistent with our freight policy established with the original order. UPS, FED EX, MAIL or shipments by other couriers are subject to the same terms and conditions as outlined in paragraph #3"Freight Terms".

4. DELIVERY, DAMAGES, SHORTAGES

Seller shall use reasonable efforts to attempt to cause the Products to be delivered as provided for in these Terms & Conditions. Delivery to the initial common carrier shall constitute the delivery to the Purchaser. Sellers responsibility, in so far as transportation risks are concerned ceases upon the delivery of the Products in good condition to such carrier at the F.O.B. point and all the Products shall be shipped at the Purchaser's risk. Seller shall not be responsible or liable for any loss of income and/or profits, or incidental, special, consequential damages resulting from Seller's delayed performance in shipment and delivery.

5. RETURN OF DEFECTIVE PPRODUCTS

Defective or failed material shall be held at the Purchaser's premises until authorization has been granted by Seller to return or dispose of Products. Products that are to be returned for final inspection must be returned Freight Prepaid in the most economical way. Credit will be issued for material found to be defective upon Seller's inspection based on prices at time of purchase.

6. PRODUCTS ORDERED IN ERROR

Products may be returned, provided that claim is made and Seller is notified within 7 days of receipt of Products, and the Products are in original buyer's possession not more than 30 days prior to return, subject to Seller's approval. If Products are accepted for return, they must be Freight Prepaid and buyer will be charged a minimum of 15% rehandling charge, plus a charge back for outbound freight charges if the original order was shipped prepaid. Returns are not accepted for any Products that are specifically manufactured to meet the buyer's requirement of either specifications or quantity.

AGREEMENTS

These Terms and Conditions constitute the entire agreement between Seller and Purchaser as it relates to terms and conditions of sale, and supersedes any and all prior oral or written agreements, correspondence, quotations or understandings heretofore in force between the parties relating to the subject matter hereof. There are no agreements between Seller and Purchaser with respect to the Product herein except those specifically set forth in and made part of these terms and conditions. Any additional terms, conditions and/or prices are rejected by Seller.

These terms and conditions may be modified, cancelled or rescinded only by a written agreement of both parties executed by their duly authorized agents.

**USE ONLY GENUINE EDCO PARTS & ACCESSORIES
For your own safety, the safety of others and the life of your machine.**

Equipment Development Company, Inc.

