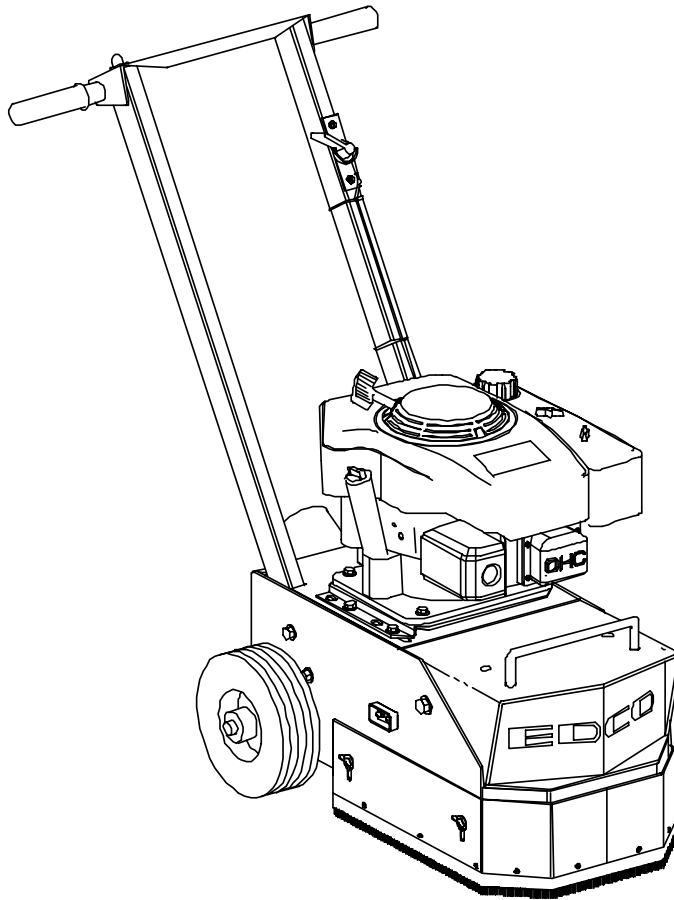


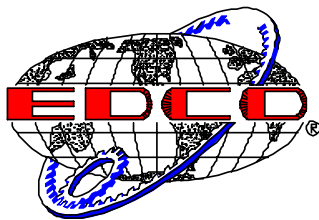
REVISED MARCH 1998
STARTING SERIAL #76794

SINGLE DISC CONCRETE GRINDER

PARTS LIST MANUAL



Models S-EC(1) and S-GC(1)



EQUIPMENT DEVELOPMENT COMPANY, INC.

100 THOMAS JOHNSON DRIVE, FREDERICK, MARYLAND 21702-4600 USA

PHONE (301)663-1600

TOLL FREE 1-800-638-3326

FAX (301)663-1607

FAX FREE 1-800-447-3326

WEBSITE: WWW.EDCOINC.COM

EMAIL: SALES@EDCOINC.COM



**READ AND UNDERSTAND THE INSTRUCTIONS THOROUGHLY
BEFORE ATTEMPTING TO OPERATE THIS EQUIPMENT.**

Death or serious injury could occur if the machine is used improperly.



SAFETY MESSAGE

The safety instructions are preceded by a graphic alert message of DANGER, WARNING or CAUTION.

DANGER

A safety instruction that advises that death or serious injury will result if instructions are not followed and caution exercised.

WARNING

A safety instruction that advises that death or serious injury can result if instructions are not followed and caution exercised

CAUTION

A safety instruction that advises that injury could result if instructions are not followed.

TABLE OF CONTENTS

- 1 - Safety & General Instructions
- 2 - Safety Instructions and Electrical Precautions
- 3 - Illustration 1: Main Assembly Grouping
- 4 - Parts Listing, Main Assembly Grouping
- 5 - Illustration 2: Water Valve, Spray Nozzle & Grease Fitting Groupings
- 6 - Illustration 3: Multi-Accessory Disc Grouping & Parts Listing
- 7 - Illustration 4: Electric Motor Grouping
- 8 - Parts Listing, Electric Motor Grouping
- 9 - Illustration 5: Gasoline Engine Grouping
- 10 - Parts Listing, Gasoline Engine Grouping
- 11 - Limited Equipment Warranty, Ordering replacement parts

WARNING

GENERAL INSTRUCTIONS

CAUTION

- Read and understand the instructions, including the engine manual. Different models may have different parts and controls.
- Equipment should only be operated by trained personnel in good physical condition and mental health (not fatigued). The operator and maintenance personnel must be physically able to handle the bulk weight and power of this equipment.
- This is a one person tool. Maintain a safe operating distance to other personnel.
- This equipment is intended for commercial use.
- Never let equipment run unattended.
- Do not lend or rent equipment without including the operation instructions for the machine and the engine.
- Do not modify the machine. Use only genuine EDCO parts and accessories. Repairs and service should be performed by approved EDCO dealers/repair technicians.
- Stop engine/motor when adjusting, servicing or fueling.
- Wear proper attire including safety shoes, hard hat (when appropriate for the job), hearing protection, non-fogging vented safety goggles or face screen and dust respirator (when dry cutting).

WARNING

The engine exhaust from this product contains chemicals known to the State of California to cause cancer, birth defects or other reproductive harm.

This equipment will create dust from the material being removed. That dust may contain a chemical known to the State of California to cause cancer and/or birth defects or other reproductive harm. As an example, paints and concrete contain chemicals known to the State of California to cause cancer and/or birth defects or other reproductive harm. Check the chemical properties of the material to be removed and take appropriate precautions.


It is the operator's responsibility to keep other people (workers, pedestrians, bystanders, etc.) away during operation. Block off the work area in all directions with roping, safety netting, etc. for a safe distance. Failure to do so may result in others being injured by flying debris or exposing them to harmful dust and noise.

Maintain a safe operating distance from flammable materials. Sparks from the cutting-action of this machine can ignite flammable materials or vapors.

Extreme care must be taken when operating electric model with water mist: Ensure power cord is properly grounded, is attached to a Ground-Fault-Interrupter (GFI) outlet, and is undamaged.


DANGER

Always keep all guards in place during operation for the operator's safety and the safety of others.



DANGER


Keep body parts and loose clothing away from moving parts. Failure to do so could result in dismemberment or death.



GASOLINE POWERED EQUIPMENT

WARNING

The engine exhaust from this product contains chemicals known, in certain quantities, to cause cancer, birth defects or other reproductive harm.




WARNING

Gasoline is extremely flammable and poisonous. It should only be dispensed in well ventilated areas, and with a cool engine.

DANGER


Do not operate gasoline powered equipment without adequate ventilation. Carbon monoxide is an invisible, odorless gas that can kill.



ELECTRIC POWERED EQUIPMENT

DANGER

ELECTRICAL HAZARD - Be sure equipment is properly grounded. Failure to comply could kill or result in serious injury.





SINGLE DISC GRINDER / SURFACER SAFETY INSTRUCTIONS

Read and understand these instructions completely before starting or using machine.



MACHINE PRECAUTIONS

- Eye and ear protection must be worn at all times when the machine is in use. During normal operation, sound levels may exceed 92 dB(A).



- Wear appropriate clothing, footwear, and safety attire when operating this machinery. Steel toe safety shoes, padded gloves, non-fogging vented safety goggles or face screen, dust respirator (when dry cutting), hard hat (when appropriate for the job), and safety vest should be worn.



- Do not wear loose clothing that can get tangled in moving parts.
- Wear an approved dust/particle respirator when removing hazardous material or when grinding dry.
- Maintain a safe operating distance to other personnel
- This grinder / surfacer is designed to grind flat, horizontal concrete or asphalt slabs using diamond inserts or other accessories. It is controlled by a single operator from the rear of the machine.
- Read and follow all safety labels.
- Avoid deck inserts, pipes, columns, openings, electrical outlets, or any objects protruding from slab surface.
- Stay alert; use common sense, and avoid unsafe conditions.



OWNER RESPONSIBILITIES:

- Provide all instruction manuals for the operator to fully read and understand.
- Provide proper training and instruction to the operator.
- Maintain safety decals on the machine.
- Maintain the machine in safe operating condition with all guards securely in place, all mechanical fasteners tight, all controls in working order, and the machine configured for the job application.
- Maintain a copy of the grinder's operators manual and engine manual with the machine for reference at all times.
- Never allow anyone to operate the grinder in an impaired physical or mental state.

OPERATOR RESPONSIBILITIES:

- Be familiar with all aspects of the machine's operation and controls before starting the engine/motor.
- Use the correct accessory for the job being performed and material being removed. Make sure accessories are mounted correctly.
- Never operate the grinder while under the influence of drugs or alcohol, while taking medications that impair the senses or reactions, or when excessively tired or under stress.
- Follow the instructions in the operators manual and exercise caution.
- Never leave the machine running unattended.
- Comply with all local safety and health regulations as well as EPA and OSHA regulations.



MODEL SEC ELECTRICAL PRECAUTIONS



- Extreme care must be taken when operating electric model with water mist: Ensure power cord is properly grounded, is attached to a Ground-Fault-Interrupter (GFI) outlet, and is undamaged.
- Check all electrical cables -- be sure connections are tight and cable is continuous and in good condition. Use only 12-3 wire or greater. Do not exceed 50 feet.
- This model operates on a 115 volt or 230 volt AC power circuit. Check serial plate for motor voltage requirement.
- Use only approved (U.L. CSA, etc.) wire, connectors, switch boxes, etc.
- **WARNING:** Improper connection of the equipment-grounding conductor can result in a risk of electric shock. Check with qualified electrician or service person if there is any doubt as to whether the outlet is properly grounded. **DO NOT** modify the plug provided on the motor. If the plug does not fit the outlet, have a qualified electrician install the proper outlet.
- **NOTE:** In the event of a malfunction or breakdown, grounding provides a path of least resistance for the electric current to reduce the risk of electric shock. The motor is equipped with a grounded plug and must be connected to an outlet that is properly installed and grounded in accordance with all local codes and ordinances.
- Switch motor OFF before disconnecting power.
- Do not disconnect power by pulling cord. To disconnect, grasp the plug, not the cord.
- Unplug machine from outlet when not in use and before servicing.
- Do not use with damaged cord or plug.
- Do not handle plug with wet hands.
- Keep hair, loose clothing, fingers, and all body parts away from moving parts.
- Read and understand the instructions thoroughly before attempting to operate this equipment. Death or serious injury could occur if the machine this used improperly.

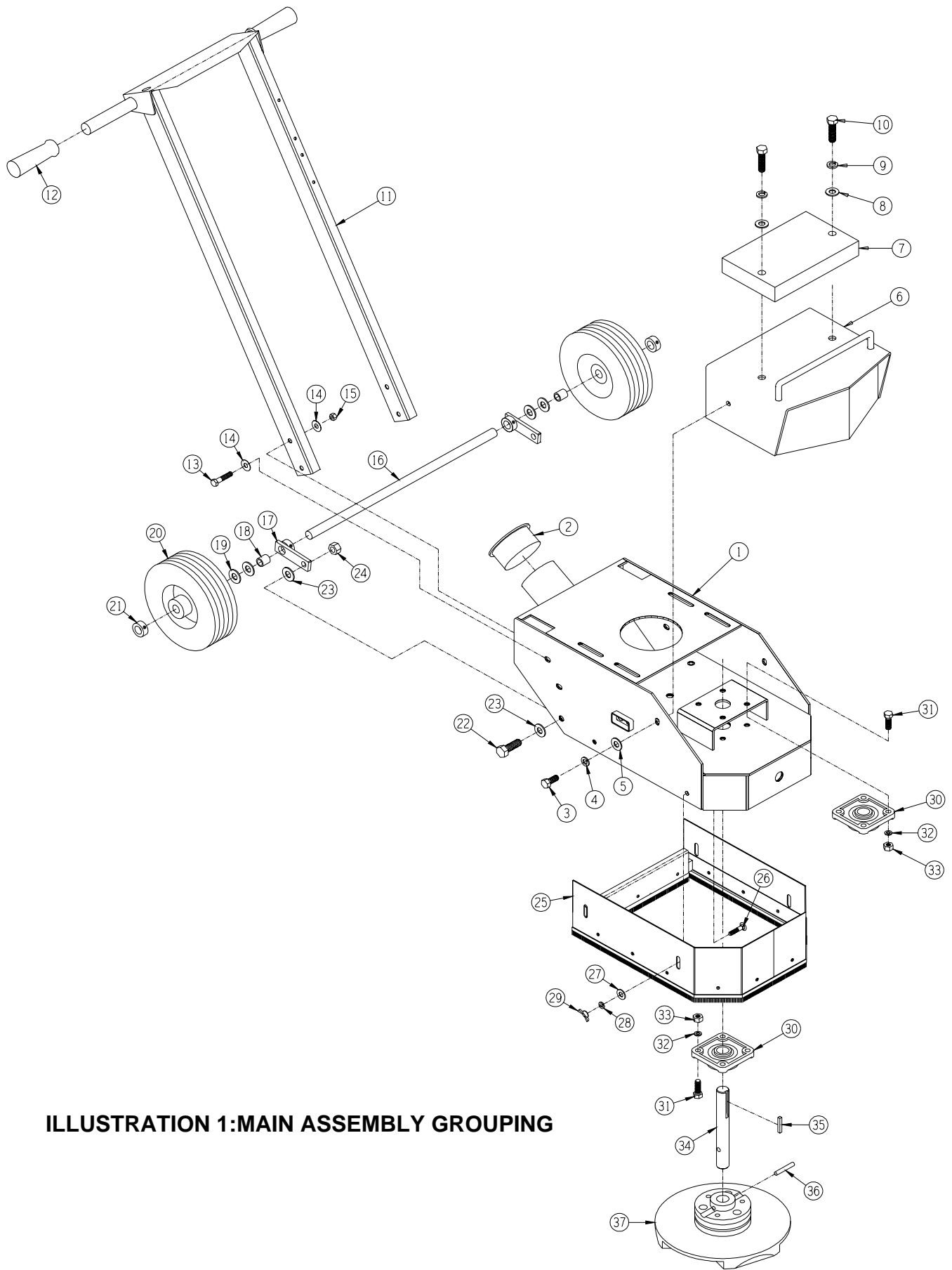
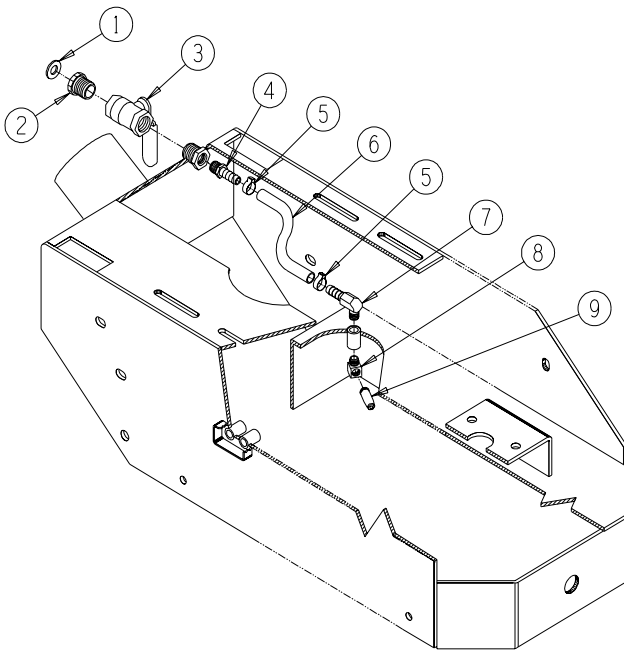
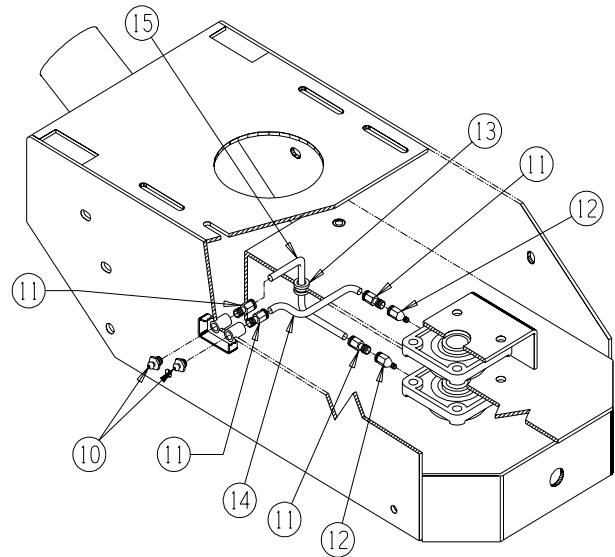


ILLUSTRATION 1:MAIN ASSEMBLY GROUPING

PARTS LISTING - ILLUSTRATION 1: MAIN ASSEMBLY GROUPING			
ITEM #	PART #	DESCRIPTION	QTY.
1	86201	MAIN FRAME	1
2	64030	PLUG, CAP 3"	1
3	10907	SCREW, CAP 3/8-16 x 3/4	2
4	10811	WASHER, LOCK 3/8	2
5	10025	WASHER, FLAT 3/8	2
6	86203	HOOD	1
7	86204	WEIGHT BLOCK, 24.5 LBS. (OPTIONAL FOR ELECTRIC MODEL S-EC)	1
8	10312	WASHER, FLAT 1/2	2
9	10045	WASHER, LOCK 1/2	2
10	10357	SCREW, CAP 1/2-13 x 2-1/4	2
11	86012	HANDLE BAR	1
12	10608	GRIP, HAND 1" MODEL AT	2
13	10029	SCREW, CAP 3/8-24 x 1-3/4	4
14	10025	WASHER, FLAT 3/8	8
15	10004	NUT, LOCK 3/8-24	4
16	86206	AXLE SHAFT 3/4"DIA. X 19-5/8"L	1
17	77208	ADJUSTER, WHEEL HEIGHT FLIP	2
18	80022	SPACER, WHEEL 13/16"ID x 13/16"L	2
19	10009	WASHER, FLAT 3/4	4
20	79013	WHEEL 8 x 2-1/2 x 3/4"BRG.	2
21	10428	COLLAR, LOCKING 3/4"ID	2
22	10321	SCREW, CAP 1/2-20 X 1-1/4	2
23	10312	WASHER, FLAT 1/2	4
24	10205	NUT, LOCK 1/2	2
25	86202A	SKIRT ASSEMBLY W/ BRUSHES INCLUDES THE FOLLOWING:	1
	86202	SKIRT ONLY	
	86205	BRUSH SET (42"L & 12-1/4"L PIECES, 1 EACH))	
	10128	RIVET, BLIND 1/8 x .265"L x .250"HD.(10 REQ'D.)	
	11571	RIVET, BLIND 1/8 x .640"L x .250"HD (2 REQ'D.)	
26	10819	BOLT, CARRIAGE 5/16-18 x 1	4
27	10213	WASHER, FLAT 5/16	4
28	10801	WASHER, LOCK 5/16	4
29	10902	NUT, WING 5/16-18	4
30	77008	BEARING, BALL 1" 4-HOLE FLANGE	2
31	10003	SCREW, CAP 7/16-20 x 1-1/4	8
32	10450	WASHER, LOCK 7/16	8
33	10481	NUT 7/16-20	8
34	86004	SHAFT, DRIVEN, 1"DIA. x 7-13/16"L	1
35	10301	KEY 1/4"SQ. x 1-1/2 (ALSO SHOWN ON ENGINE & MOTOR GROUPINGS)	1
36	10063	PIN, ROLL 3/8 X 2 (INCLUDED W/ ITEM #37)	1

ILLUSTRATION 2:

WATER VALVE & SPRAY NOZZLE
GROUPING

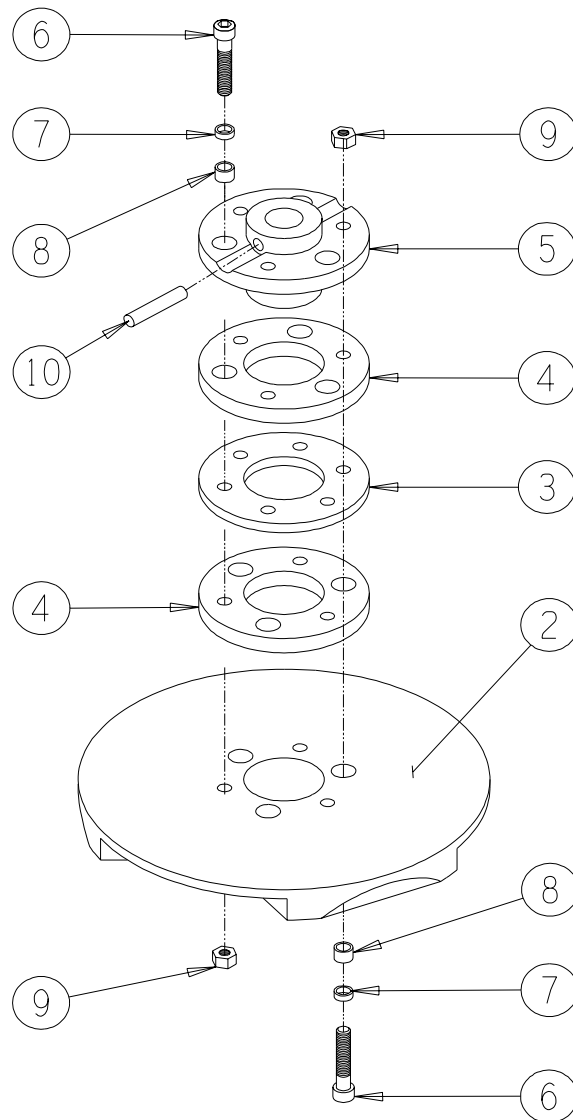


BEARING GREASE FITTING
GROUPING

ITEM #	PART #	DESCRIPTION	QTY.
1	10070	WASHER, HOSE ¾	1
2	10778	CONNECTOR, FEMALE ¾ NH x ½ MPT	1
3	10711	VALVE, BALL ½ FPT	1
4	50075	BARB, HOSE 3/8 HOSE x ¼ MPT	1
5	50069	CLAMP, HOSE, SIZE M6, ADJ. TO 13/16"	2
6	86209	HOSE, WATER 3/8"ID x 9-1/2"L	1
7	11562	BARB ELBOW 90, 3/8 HOSE x 1/8 MPT	1
8	10772	ELBOW, STREET 1/8 NPT x 45 (BRASS)	1
9	11563	NOZZLE, SPRAY 1/8 MPT (H1/8VV 2501)	1
10	10953	FITTING, GREASE 1/8 NPT STRAIGHT	2
11	10599	FITTING, PUSH-IN ¼ TUBE x 1/8 MPT BRASS	4
12	50541	ADAPTER, GREASE FITTING 1/8 FPT x ¼-28	2
13	11560	GROMMET 7/16"ID x 3/16"GRV x 9/16"GD	1
14	86210	TUBE, NYLON ¼"OD x 7-1/2"L	1
15	86211	TUBE, NYLON ¼"OD x 10-1/4"L	1

ILLUSTRATION 3: MULTI-ACCESSORY DISC ASSEMBLY & PARTS LISTING

ITEM #	PART #	DESCRIPTION	QTY.
1	8888	DISC ASSY. COMPLETE, MULTI-ASSY. R.H. (INCLUDES ITEMS 2 THRU 10)	
2	77088	DISC ONLY, MULTI-ACCESSORY R.H.	1
3	77020	RING, HUB CARRIER, 6-HOLE	1
4	10112	RING, NEOPRENE RUBBER, 6-HOLE, 1/2"THK.	2
5	77010	HUB, ALUMINUM, 6-HOLE	1
6	10114	SCREW, SKT. HD. CAP 3/8-24 x 2-1/4	6
7	10113	SPACER, STEEL 9/16"OD x 3/8"ID x 7/32"THK	6
8	10011	SPACER, STEEL 5/8"OD x 3/8"ID x 3/8"THK	6
9	10004	NUT, LOCK 3/8-24	6
10	10063	PIN, ROLL 3/8 X 2	1



**ITEM 1: DISC ASSEMBLY COMPLETE,
MULTI-ACCESSORY, R.H.**

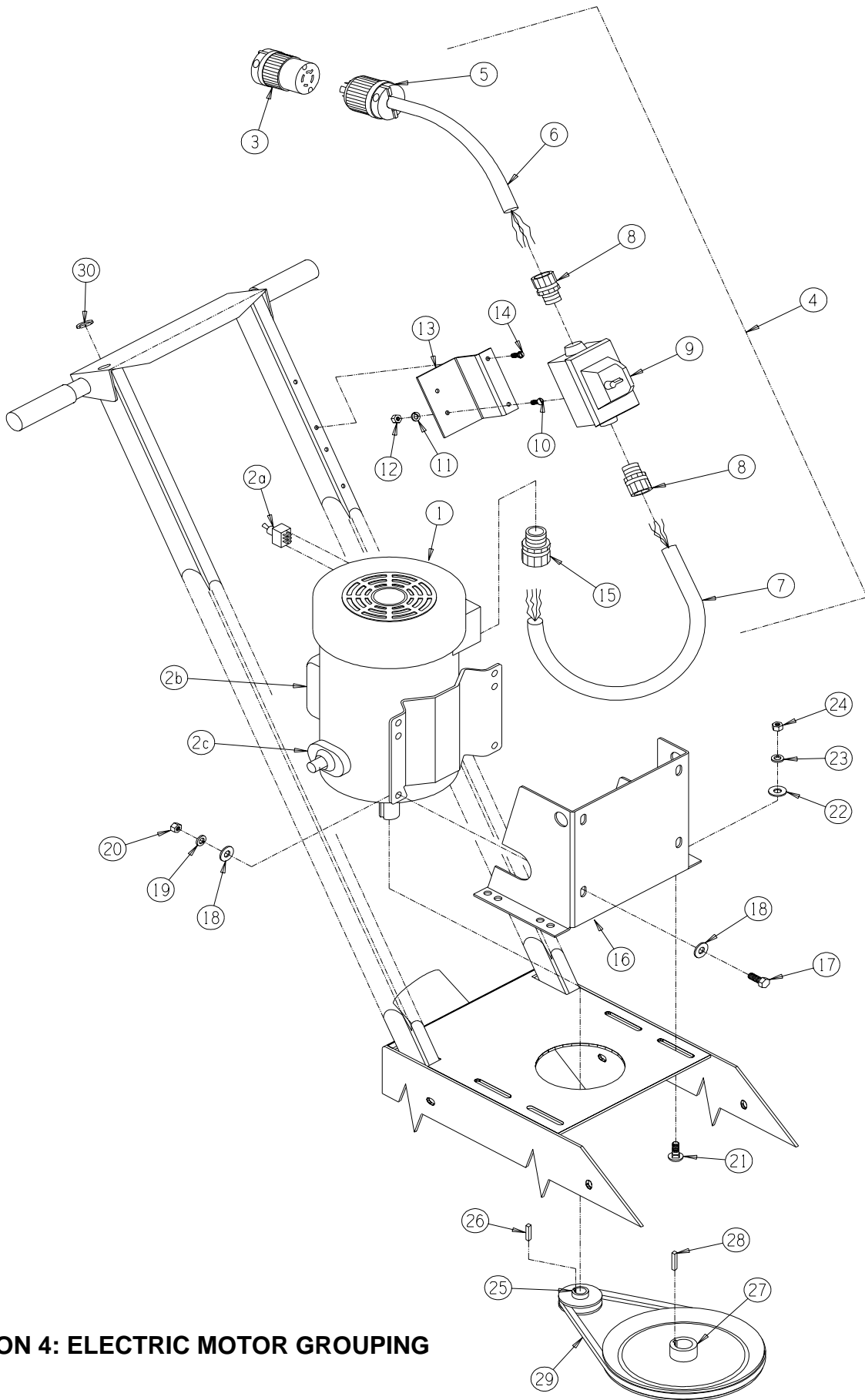
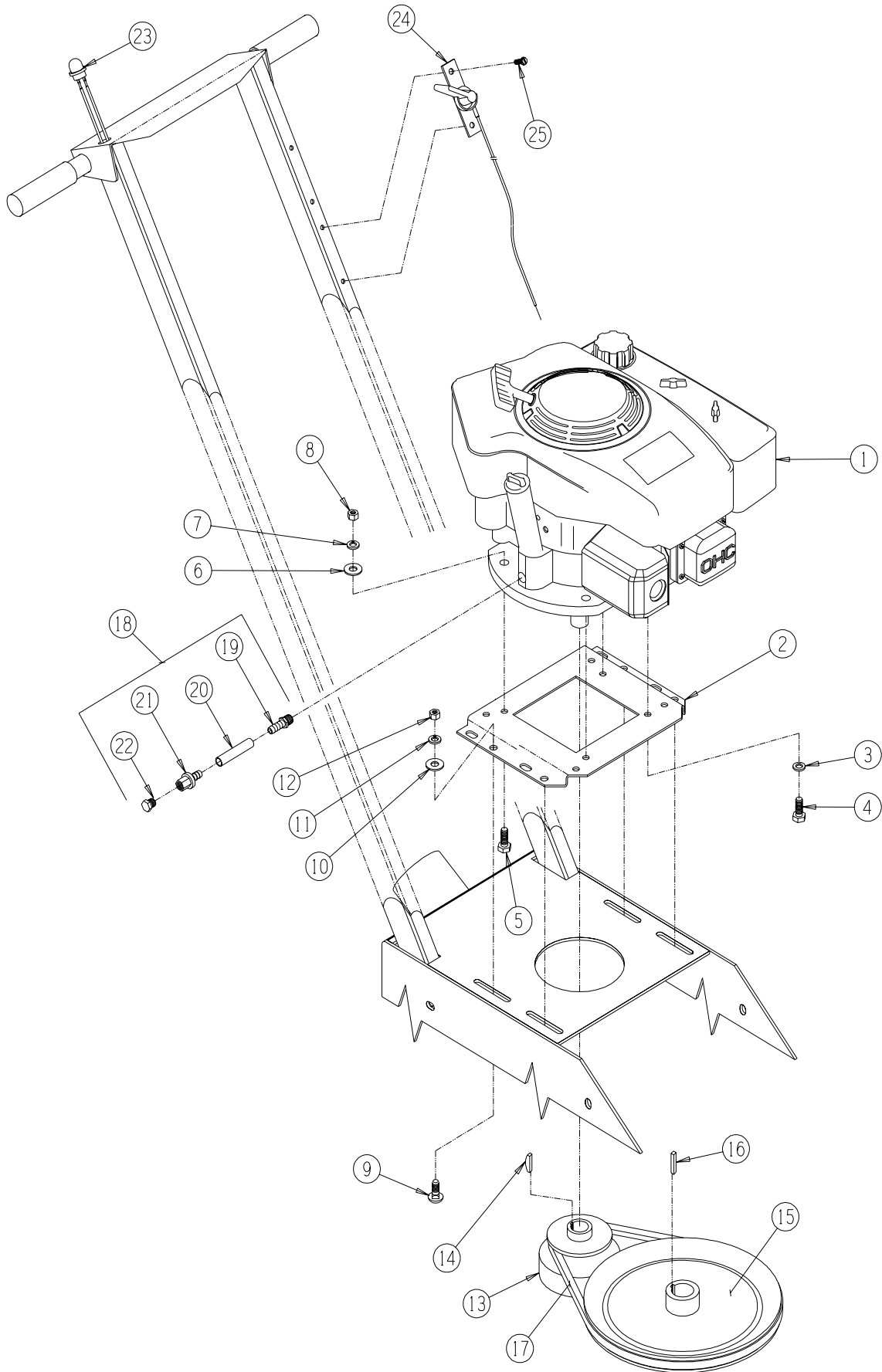


ILLUSTRATION 4: ELECTRIC MOTOR GROUPING

PARTS LISTING - ILLUSTRATION 4: ELECTRIC MOTOR GROUPING			
ITEM #	PART #	DESCRIPTION	QTY.
1		MOTOR, BALDOR	1
	76027	1.5 HP - 1 PHASE, 60 HZ, 115/230 VAC, 1725 RPM	
	16019	2.0 HP - 1 PHASE, 50 HZ, 110/220 VAC, 1425 RPM	
		REPLACEMENT PARTS FOR 1.5 HP MOTOR:	
2A	76002	SWITCH, TOGGLE DPDT (VOLTAGE SELECTOR)	1
2B	77039	CAPACITOR (EC1850A06)	1
2C	16101	RESET BUTTON (PROTECTOR TPCRJ31CA)	1
3		PLUG CONNECTOR, LOCKING	1
	40041	20A/125V (STANDARD)	
	40000	20A/250V (OPTIONAL)	
4	77028	SWITCH & WIRE HARNESS ASSEMBLY (20A/125V ONLY, INCLUDES ITEMS 5 THRU 13)	1
5		PLUG, LOCKING	1
	40042	20A/125V (STANDARD)	
	40037	20A/250V (OPTIONAL)	
6	77026	WIRE HARNESS, SWITCH/PLUG 12/3 x 18"LOA	1
7	10022	WIRE HARNESS, SWITCH/MOTOR 12/3 x 37-1/2"LOA	1
8	41130	CONNECTOR, STRAIN RELIEF 1/2NPT X .550-.650"	2
9	77027	SWITCH W/ ENCLOSURE DP 30A 120-277V	1
		INCLUDES THE FOLLOWING:	
	77027E	SWITCH BOX ENCLOSURE ONLY	
	77027C	SWITCH BOX COVER ONLY	
	77018	SWITCH ONLY DP 30A 120-277V	
10	10365	BOLT, CARRIAGE 10-24 x 1/2	2
11	10831	WASHER, LOCK, INT. TOOTH #10	2
12	10463	NUT 10-24	2
13	77040	BRACKET, SWITCH BOX	1
14	10877	SCREW, SELF-TAP HEX WASHER 10-24 x 1/2	2
15	10959	CONNECTOR, STRAIN RELIEF 3/4 NPT x .550-.650"	1
16	77037	MOUNT, MOTOR	1
17	10021	SCREW, CAP 3/8-24 x 1	4
18	10025	WASHER, FLAT 3/8	8
19	10811	WASHER, LOCK 3/8	4
20	10014	NUT 3/8-24	4
21	10802	BOLT, CARRIAGE 3/8-16 x 1	4
22	10025	WASHER, FLAT 3/8	4
23	10811	WASHER, LOCK 3/8	4
24	10404	NUT 3/8-16	4
25	77017	SHEAVE 3"OD x 1Gr.B x 7/8"BORE	1
26	----	KEY 3/16"SQ. x 1-3/8"L (INCLUDED W/ MOTOR)	1
27	86009	SHEAVE 9"OD x 1Gr.B x 1"BORE	1
28	10301	KEY 1/4"SQ. x 1-1/2	1
29	10915	BELT BX-35 COG	1
30	10005	PLUG, HOLE 7/8" (CHROME)	1

ILLUSTRATION 5: GASOLINE ENGINE GROUPING



PARTS LISTING - ILLUSTRATION 5: GASOLINE ENGINE GROUPING			
ITEM #	PART #	DESCRIPTION	QTY.
1	76020	ENGINE, HONDA 5.5 HP GXV160	1
2	76023	MOUNT, ENGINE	1
3	10801	WASHER, LOCK 5/16	3
4	10048	SCREW, CAP 5/16-24 x 3/4	3
5	10342	SCREW, CAP 5/16-18 x 1-1/2	1
6	10213	WASHER, FLAT 5/16	1
7	10801	WASHER, LOCK 5/16	1
8	10054	NUT 5/16-18	1
9	10802	BOLT, CARRIAGE 3/8-16 x 1	4
10	10025	WASHER, FLAT 3/8	4
11	10811	WASHER, LOCK 3/8	4
12	10404	NUT 3/8-16	4
13	77024	CLUTCH, CENTRIFUGAL 3.5"OD x 1GR x 7/8"BORE	1
14	10019	KEY, WOODRUFF 5/32 x 5/8 (#505)	1
15	86208	SHEAVE 11"OD x 1Gr.B x 1" BORE	1
16	10301	KEY 1/4 SQ. x 1-1/2	1
17	10277	BELT B-38	1
18	40327	OIL DRAIN KIT (INCLUDES ITEMS 19 THRU 22)	
19	11541	BARB, PUSH-ON 3/8 HOSE x 10mm x 1.25 MALE	1
20	56116	HOSE, PUSH-ON 3/8"ID x 3"L	1
21	11544	BARB, 3/8 HOSE x 1/4 FPT	1
22	10776	PIPE PLUG 1/4 NPT (BRASS)	1
23	50010	SWITCH KIT, STOP BUTTON, 7/8" HOLE	1
24	40388	CABLE, THROTTLE CONTROL, LEVER-TYPE 24"	1
25	10877	SCREW, SELF-TAP HEX WASHER 10-24 x 1/2	2

LIMITED EQUIPMENT WARRANTY

Equipment Development Company, Inc. herein referred to as EDCO warrants that each new unit manufactured by EDCO to be free from defects in material and workmanship in normal use and service for a period of (1) one year (except in the case of the cutter drum assembly on all model concrete asphalt planes, in which case the warranty period shall be 90 days) from date of shipment to the original retail or equipment rental center owner.

EDCO will, at its option, repair or replace, at the EDCO factory or at a point designated by EDCO any part, which shall appear to the satisfaction of EDCO inspection to have been defective in material or workmanship.

This warranty, does not apply to failure occurring as a result of abuse, misuse, negligent repairs, corrosion, erosion, normal wear and tear, alterations or modifications made to the product without express written consent of EDCO: or failure to follow the recommended operating practices and maintenance procedures as provided in the products operating and maintenance manuals.

This warranty does not obligate EDCO to bear any transportation charges in connection with the replacement or repair of defective parts. This warranty does not obligate EDCO to bear any expense for travel time or of personnel in correction with any service calls.

Accessories or equipment furnished and installed on the product by EDCO but manufactured by others, including but not limited to engines, motors, electrical equipment, transmissions, etc., shall carry the accessory manufacturers' own warranty.

THIS WARRANTY IS IN LIEU OF ALL OTHER WARRANTIES, EXPRESSED OR IMPLIED, OR STATUTORY, INCLUDING ANY WARRANTIES OF MERCHANTABILITY OR OF FITNESS FOR A PARTICULAR PURPOSE.

LIABILITY LIMITATIONS

The remedies of the user set forth under provisions of warranty outlines above are the exclusive and total liability of EDCO with the respect to their sale or the equipment and service furnished hereunder, in connection with the performance or breach thereof, or from the sale, delivery, installation, repair or technical direction covered by or furnished under the sale, whether based on contract, warranty, negligence, indemnity, strict liability, or otherwise shall not exceed the purchase price of the unit of equipment upon which such liability is based.

EDCO will not in any event be liable to the user, any successors in interest or any beneficiary or assignee relating to this sale for any consequential, incidental, indirect, special or punitive damages arising out of this sale or any breach thereof, or any defects on, or failure of, or malfunction of the equipment under this sale based upon loss of use, lost profits or revenue, interest, lost goodwill, work stoppage, impairment of other goods, loss by reason of shutdown or non-operation, increased expenses of operation of the equipment, cost of purchase or replacement power of claims of users or customers of the user for service interruption whether or not such loss or damage is based on contract, warranty, negligence, indemnity, strict liability, or otherwise.

EDCO reserves the right to modify, alter and improve any part or parts without incurring any obligation to replace any part or parts previously sold without such modified, altered or improved part or parts.

No person is authorized to give any other warranty or to assume any additional obligation on EDCO's behalf unless made in writing and signed by an officer of EDCO.

Equipment Development Company, Inc.

USE ONLY GENUINE EDCO PARTS AND ACCESSORIES

For your own safety, the safety of others and the life of your machine

PLEASE FILL IN INFORMATION AND SAVE

Date of Purchase _____

Name of Machine _____

Model # _____

Serial # _____

Belt Size(s) _____

HOW TO ORDER REPAIR PARTS

- To insure product safety and reliability, always use genuine EDCO replacement parts when making repairs to the equipment.
- When ordering parts, please specify the MODEL and SERIAL NUMBER of the machine as given on the NAME PLATE. In addition, give part number, description and quantity as listed on the parts list.
- Please note: Due to improvements and changes in the equipment, the illustrations shown may be different than the actual machine.

Printed in USA



EQUIPMENT DEVELOPMENT COMPANY, INC.

100 THOMAS JOHNSON DRIVE, FREDERICK, MD 21702-4600 USA

Phone (301) 663-1600 • 1-800-638-3326 Fax (301) 663-1607 • 1-800-447-3326 Website: www.edcoinc.com Email: sales@edcoinc.com

©1998