

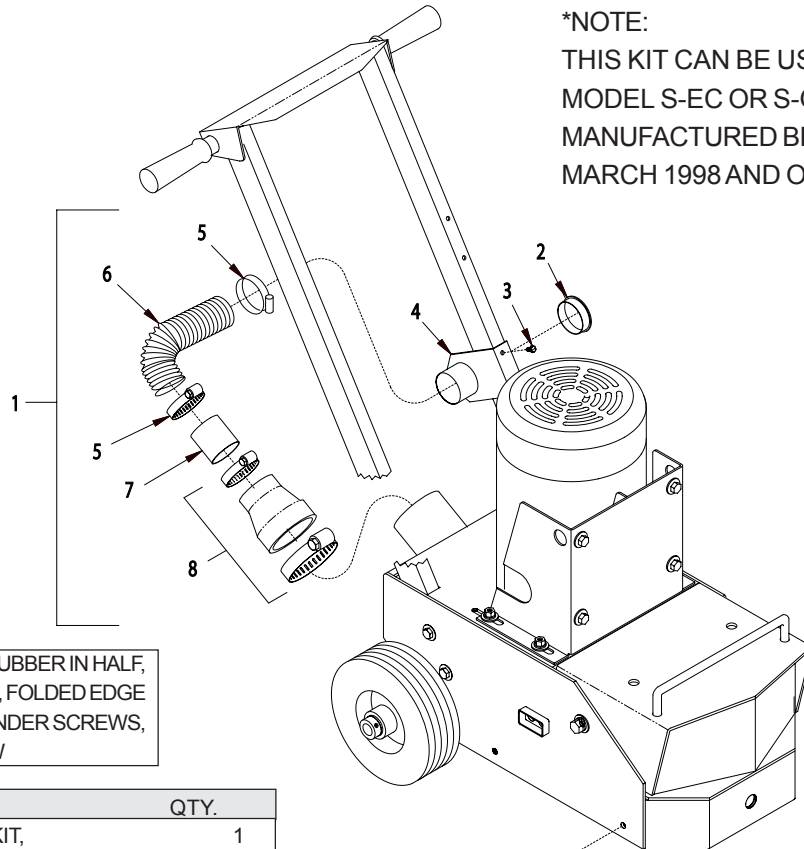
SELECT HERE FOR  
DUAL DISC GRINDERS

SELECT HERE FOR  
FOUR DISC GRINDERS

E-SEC-SKVP-PL-0605

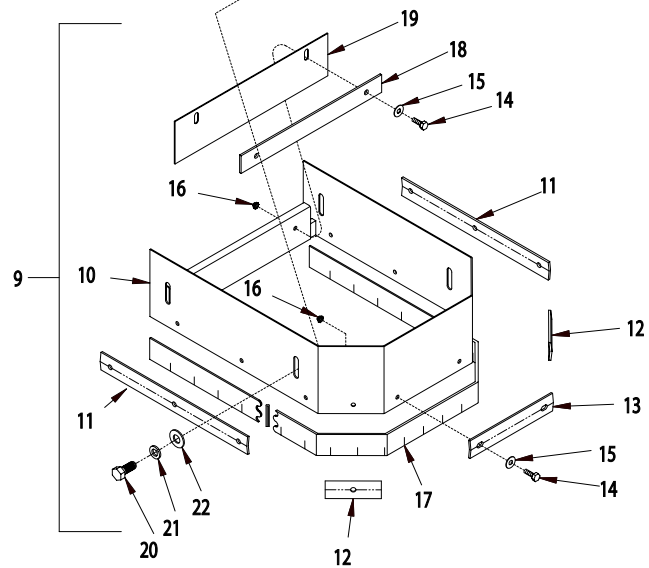
## SKIRT KIT W/ RUBBER SEALS AND REMOTE VACUUM PORT FOR SINGLE DISC GRINDERS\* PART# 86250

\*NOTE:  
THIS KIT CAN BE USED ON ALL  
MODEL S-EC OR S-GC GRINDERS  
MANUFACTURED BETWEEN  
MARCH 1998 AND OCT. 2002



NOTE: AFTER FOLDING SKIRT RUBBER IN HALF,  
TWO EDGES ARE FACING DOWN, FOLDED EDGE  
FACING UP. TUCK RUBBER UP UNDER SCREWS,  
LEAVING 3/4" HANGING BELOW

ITEM#	PART#	DESCRIPTION	QTY.
1	86221	VACUUM PORT KIT, 3" TO 2" CONVERSION	1
2	65021	PLUG, CAP 2" TUBE	1
3	10877	SCREW, CAP STSHW 10-24 X 1/2	2
4	86307	VACUUM PORT BRKT. 2"	1
5	10766	CLAMP, HOSE, SAE #28, ADJ. TO 2-1/4	2
6	86222	HOSE, FLEX 2"ID X 12"L	1
7	86223	PIPE 2"OD X 3"L	1
8	15153	ADAPTER, RUBBER, 3"x2" W/ CLAMPS	1
9	86202B	SKIRT ASSY. W/ RUBBER SEALS	1
10	86202	SKIRT	1
11	86217	SKIRT RETAINING STRIP, SIDE 12"	2
12	86216	SKIRT RETAINING STRIP, FRONT 3-1/4"	2
13	86215	SKIRT RETAINING STRIP, FRONT 6-3/4"	1
14	10018	SCREW, CAP 1/4-20 X 3/4	12
15	10602	WASHER, FLAT 1/4 SAE	12
16	10861	NUT, KEPS 1/4-20	12
17	86219	SKIRT RUBBER 3 X 41	1
18	86218	SKIRT RETAINING STRIP, REAR 11-1/2"	1
19	86220	SKIRT RUBBER 3 X 12-1/2	1
20	10055	SCREW, CAP 3/8-16 X 1	4
21	10811	WASHER, LOCK 3/8	4
22	10025	WASHER, FLAT 3/8 SAE	4



100 Thomas Johnson Drive, Frederick, MD 21702-4600 USA  
Phone (301) 663-1600 • 1-800-638-3326  
Fax (301) 663-1607 • 1-800-447-3326  
Website: [www.edcoinc.com](http://www.edcoinc.com) • Email: [sales@edcoinc.com](mailto:sales@edcoinc.com)

Printed in USA  
©2005

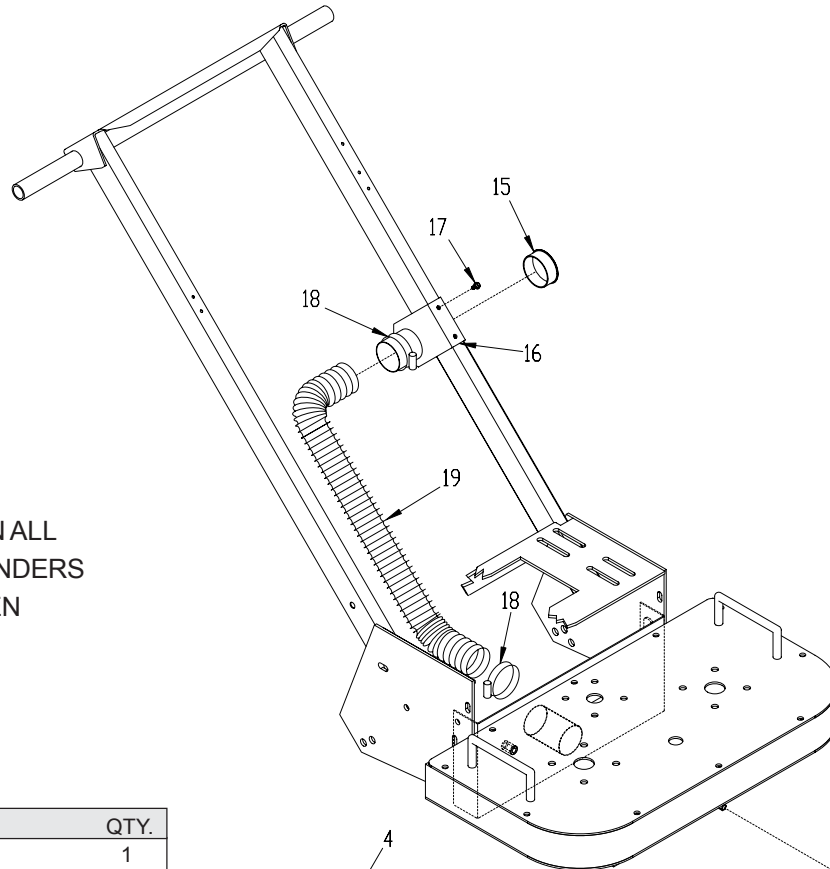
SELECT HERE FOR  
SINGLE DISC GRINDERS

SELECT HERE FOR  
FOUR DISC GRINDERS

E-2ECGC-PLA-0205

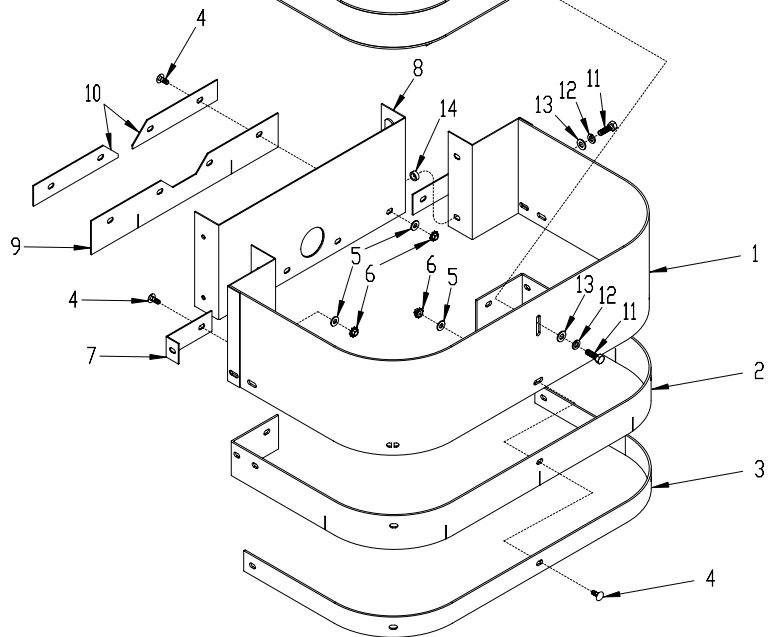
REVISED STARTING SERIAL # 24000

**NEW SKIRT KIT W/ RUBBER SEALS  
AND REMOTE VACUUM PORT FOR  
DUAL DISC GRINDERS\*  
PART# 77140**



\*NOTE:  
THIS KIT CAN BE USED ON ALL  
MODEL 2-EC OR 2-GC GRINDERS  
MANUFACTURED BETWEEN  
DEC. 1991 AND FEB. 2005

ITEM#	PART#	DESCRIPTION	QTY.
1	77001	SKIRT GUARD	1
2	77141	RUBBER SEAL 2-1/2 x 56	1
3	77143	RETAINING STRIP, RUBBER SEAL	1
4	11676	BOLT, CARRIAGE 1/4-20 X 5/8 GRADE 2	13
5	10602	WASHER, FLAT 1/4 SAE	13
6	10861	NUT, KEPS 1/4-20	13
7	77339	RETAINING BRKT., SKIRT CORNER	2
8	77112	PANEL, VACUUM PORT 2"	1
9	77142	RUBBER SEAL, REAR 2-1/2 x 16	1
10	77144	RETAINING STRIP, REAR SEAL	2
11	10806	SCREW, CAP 5/16-18 X 1	5
12	10801	WASHER, LOCK 5/16	5
13	10213	WASHER, FLAT 5/16 SAE	5
14	10113	SPACER, STL. 9/16ODx3/8IDx7/32	2
15	65021	PLUG, CAP 2" TUBE	1
16	86307	VACUUM PORT BRKT. 2"	1
17	10846	SCREW, CAP STSHW 1/4-20 X 1/2	2
18	10766	CLAMP, HOSE, SAE #28, ADJ. TO 2-1/4	2
19	77113	HOSE, FLEX 2"ID X 34"L	1



100 Thomas Johnson Drive, Frederick, MD 21702-4600 USA  
Phone (301) 663-1600 • 1-800-638-3326  
Fax (301) 663-1607 • 1-800-447-3326  
Website: www.edcoinc.com • Email: sales@edcoinc.com

Printed in USA  
©2005

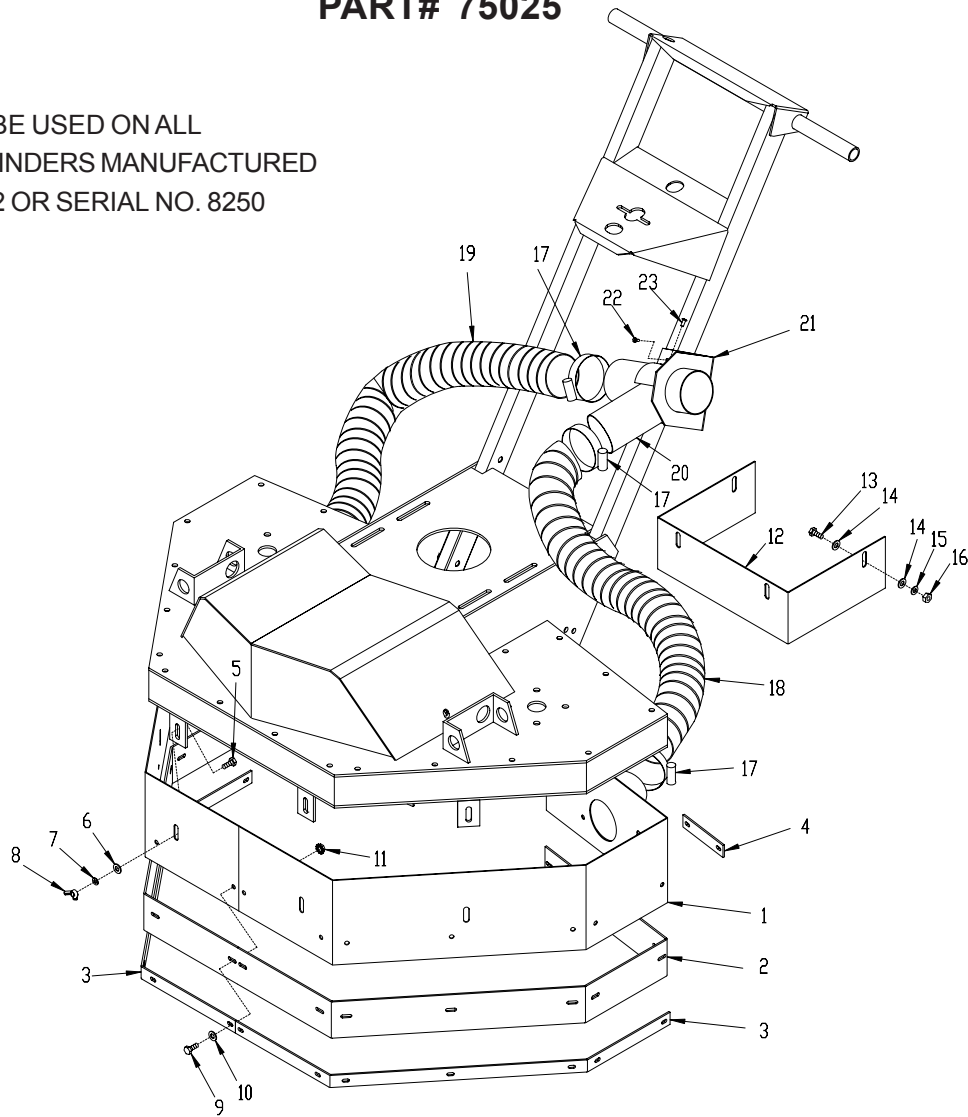
SELECT HERE FOR  
SINGLE DISC GRINDERS

SELECT HERE FOR  
DUAL DISC GRINDERS

E-411-SKVP-PL-0605

## SKIRT KIT W/ RUBBER SEALS AND REMOTE VACUUM PORT FOR FOUR DISC GRINDERS\* PART# 75025

\*NOTE:  
THIS KIT CAN BE USED ON ALL  
MODEL 411 GRINDERS MANUFACTURED  
PRIOR TO 2002 OR SERIAL NO. 8250



ITEM#	PART#	DESCRIPTION	QTY.	ITEM#	PART#	DESCRIPTION	QTY.
1	75009	SKIRT GUARD	1	12	75011	PANEL, CENTER SKIRT	1
2	75014	RUBBER SKIRT 3 X 94-3/4 (RUBBER PIECES BACK TO BACK)	2	13	10053	SCREW, CAP 5/16-18 X 3/4	4
3	75015	RETAINER, RUBBER SKIRT 34-1/4"LOA	2	14	10213	WASHER, FLAT 5/16	8
4	75016	RETAINER, RUBBER SKIRT 4-1/2"L	4	15	10801	WASHER, LOCK 5/16	4
5	10819	BOLT, CARRIAGE 5/16-18 X 1	8	16	10054	NUT 5/16-18	4
6	10213	WASHER, FLAT 5/16	8	17	10849	CLAMP, HOSE, SAE #52, ADJ. TO 3-3/4	4
7	10801	WASHER, LOCK 5/16	8	18	75022	HOSE, FLEX 3"ID X 36"L, ANTI-STATIC	1
8	10902	NUT, WING 5/16-18	8	19	75023	HOSE, FLEX 3"ID X 24"L, ANTI-STATIC	1
9	10018	SCREW, CAP 1/4-20 X 3/4	22	20	75018	FITTING, 3" Y	1
10	10602	WASHER, FLAT 1/4	22	21	75017	MOUNT BRKT., Y-FITTING	1
11	10861	NUT, KEPS 1/4-20	22	22	10877	SCREW, CAP STSHW 10-24 X 1/2	2
				23	12113	RIVET, BLIND 3/16 X .440"L X .375HD	2



100 Thomas Johnson Drive, Frederick, MD 21702-4600 USA  
 Phone (301) 663-1600 • 1-800-638-3326  
 Fax (301) 663-1607 • 1-800-447-3326  
 Website: [www.edcoinc.com](http://www.edcoinc.com) • Email: [sales@edcoinc.com](mailto:sales@edcoinc.com)

Printed in USA  
 ©2005