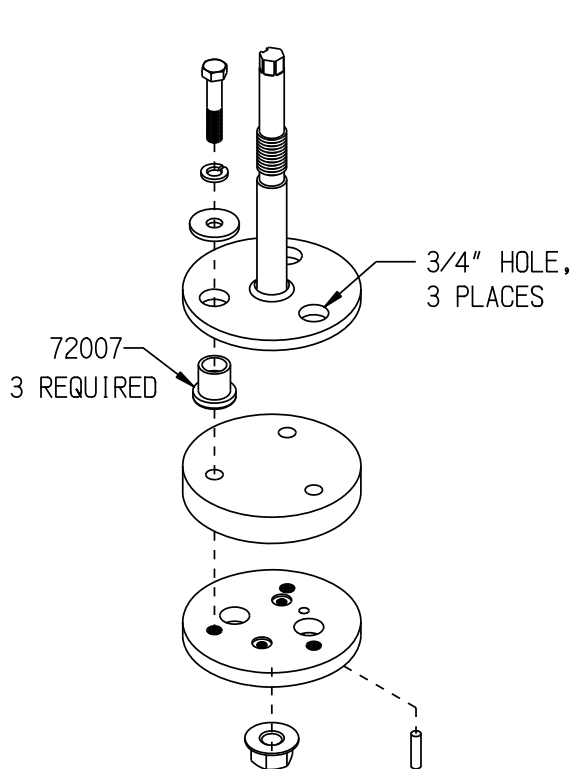


# PARTS BULLETIN

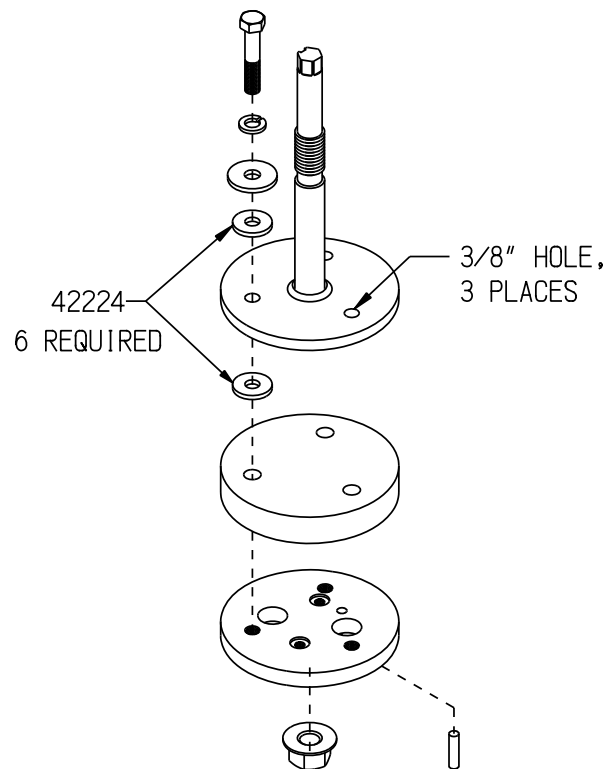
## RIGID HEAD CHANGE ON EDCO TMC-7 AND CONTRx EP-7

All new Heads will now have 3/8" holes in the Flange & Shaft Weldment (Part #72310) as shown below. Please note this new style also requires six Part # 42224 Rubber Bushings. The old style with the 3/4" holes will require three Part # 72007 Center Bonded Mounts for replacements. The # 42224 Rubber Bushings should not be used on the old style.

"OLD STYLE"  
RIGID HEAD ASSEMBLY  
WITH 3/4" HOLES



"NEW STYLE"  
RIGID HEAD ASSEMBLY  
WITH 3/8" HOLES



PART #	DESCRIPTION	QTY.
42224	BUSHING, RUBBER 1"OD X 3/8"ID X 1/8	6
72007	MOUNT, CENTER BONDED, CB-1120-1	3