

# NEW STYLE DUST CONTROL SYSTEM FOR EDCO 20" MASONRY SAWS

STARTING SERIAL # 051110064

## PARTS LIST



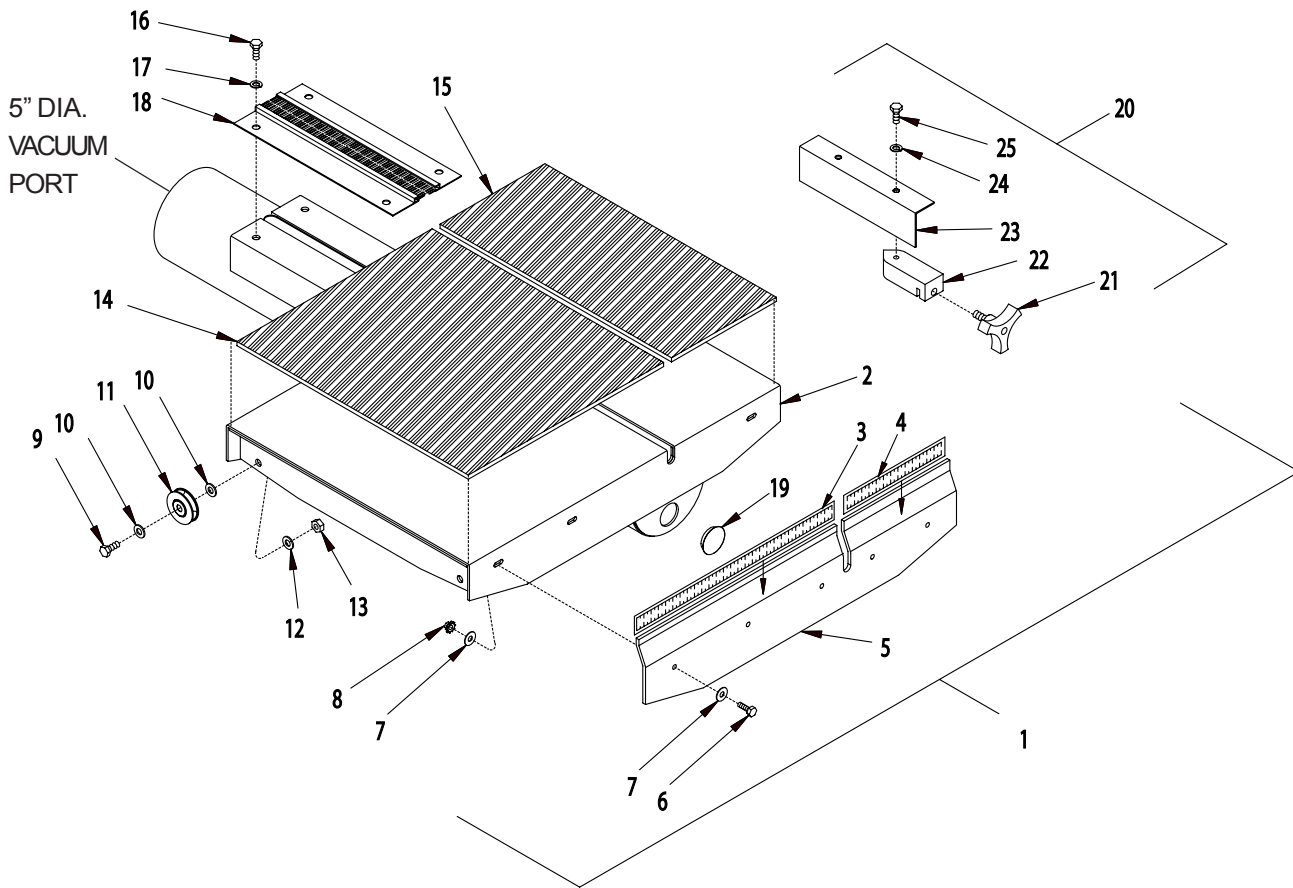
MODEL GMS-20 SHOWN WITH  
NEW EDCO SPIRAL DRY VAC  
(GASOLINE & ELECTRIC SYSTEMS ARE AVAILABLE)



100 Thomas Johnson Drive, Frederick, MD 21702-4600 USA  
Phone (301) 663-1600 • 1-800-638-3326  
Fax (301) 663-1607 • 1-800-447-3326  
Website: [www.edcoinc.com](http://www.edcoinc.com) • Email: [sales@edcoinc.com](mailto:sales@edcoinc.com)

Printed in USA  
©2005

**ILLUSTRATION 1: ROLL TABLE ASSY. FOR DUST CONTROL**  
**PART # 41160**



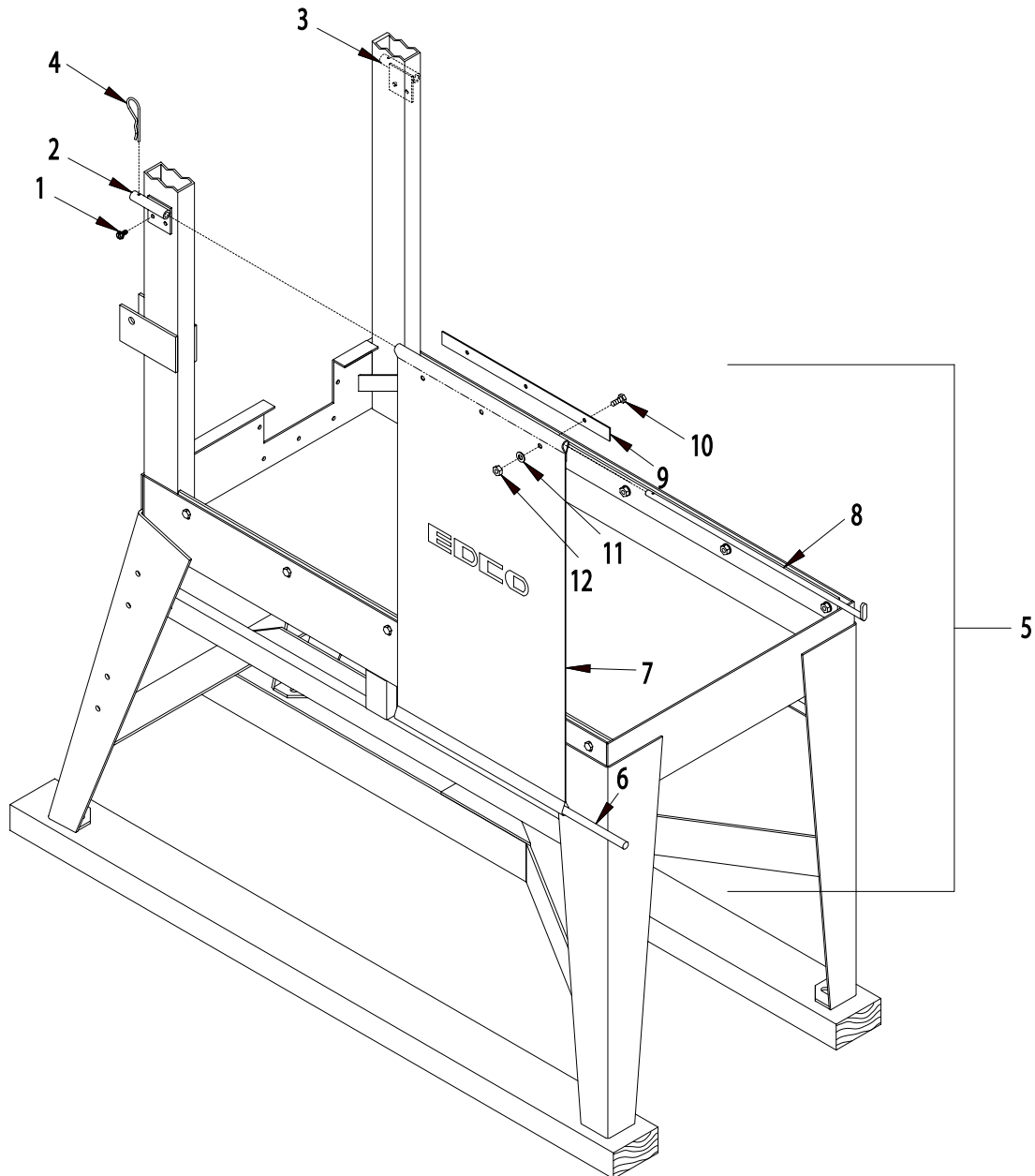
ITEM#	PART#	DESCRIPTION	QTY.
1	41160	TABLE ASSY., DUST CONTROL (INCLUDES ITEMS 2-25)	1
2	41161	TABLE ONLY, DUST CONTROL	1
3	40423	RULE, ADHESIVE-BACKED, 1-13, R-L	1
4	40424	RULE, ADHESIVE-BACKED, 1-7, L-R	1
5	41103	FRONT PANEL, ROLL TABLE	1
6	10018	SCREW, CAP 1/4-20 X 3/4	3
7	10602	WASHER, FLAT 1/4 SAE	6
8	10861	NUT, KEPS 1/4-20	3
9	10309	SCREW, CAP 3/8-24 X 1-1/4	2
	10816	SCREW, CAP 3/8-24 X 1-1/2	2
10	10025	WASHER, FLAT 3/8 SAE	AS REQ'D.
11	3621	PULLEY BEARING 1-3/4 DIA. X 3/8 BORE	4
12	10811	WASHER, LOCK 3/8	4
13	10004	NUT, LOCK 3/8-24	4
14	41006	PAD 16 X 13-1/2	1
15	41007	PAD 16 X 7-1/4	1
16	10834	SCREW, CAP 1/4-20 X 1/2	4
17	10038	WASHER, LOCK 1/4	4
18	41162	BRUSH SEAL, ROLL TABLE	2
19	28138	PLUG, HOLE 1-1/4"	1
20	41140	GUIDE SUBASSEMBLY, CUT (INCLUDES ITEMS 21-25)	1
21	40425	KNOB, 3-PRONG W/ 3/8-16 X 5/8 STUD	1
22	42015	BLOCK, CUT GUIDE	1
23	41104	BRACKET, CUT GUIDE	1
24	10801	WASHER, LOCK 5/16	1
25	10053	SCREW, CAP 5/16-18 X 3/4	1

**NOTES:**

- 1.) TO USE THIS STYLE ROLL TABLE, THE PAN ON THE MASONRY SAW MUST HAVE THE OPENING IN THE REAR TO ALLOW THE VACUUM PORT TO EXTEND OUT THE BACK. SEE ILLUS. 3.
- 2.) WHEN USING THIS STYLE ROLL TABLE, THE HEAD MUST BE LOCKED SO THE BOTTOM OF THE BLADE IS IN THE CHANNEL OPENING. DUST CONTROL WILL NOT BE EFFECTIVE WHEN CHOP CUTTING.



## ILLUSTRATION 2: CURTAIN KIT FOR DUST CONTROL PART # 41155



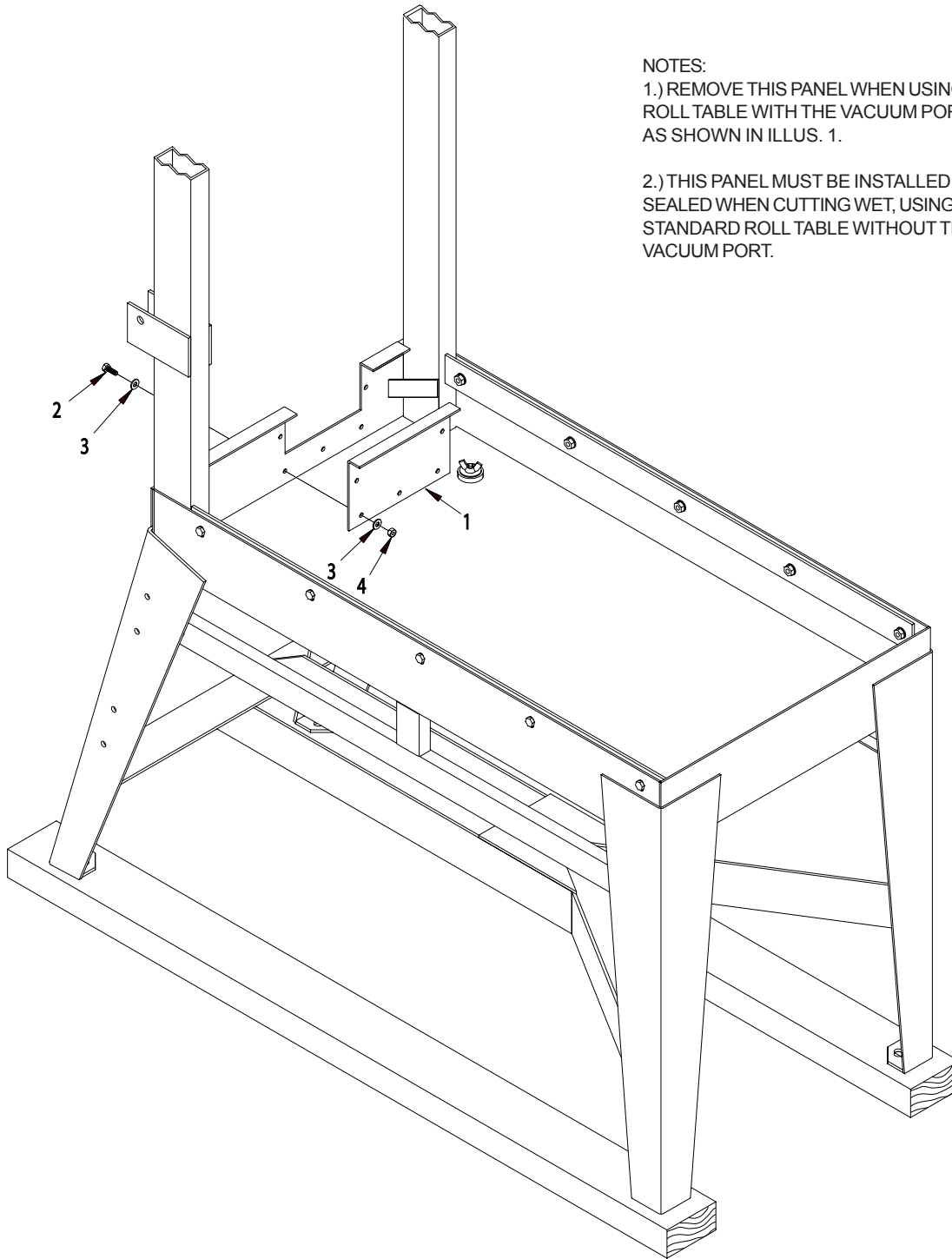
ITEM#	PART#	DESCRIPTION	QTY.
1	10846	SCREW, CAP STSHW 1/4-20 X 1/2	4
2	40323A	LEFT MOUNTING BRKT., CURTAIN ROD	1
3	40323B	RIGHT MOUNTING BRKT., CURTAIN ROD	1
4	61066	PIN, HAIR COTTER 1/2"(.125 X 1-3/4)	2
5	41152A	CURTAIN & ROD SUBASSY. (INCLUDES ITEMS 6-12)	2
6	40377	CURTAIN ROD 1/2"DIA. X 13"L	2
7	40375	CURTAIN 15" X 28" W/ LOGO	2
8	41152	ROD, CURTAIN, DUST CONTROL SYSTEM	2
9	41153	BRACKET, CURTAIN, DUST CONTROL SYSTEM	2
10	10018	SCREW, CAP 1/4-20 X 3/4	6
11	10602	WASHER, FLAT 1/4 SAE	6
12	10150	NUT, HEX NYLON LOCK 1/4-20	6



100 Thomas Johnson Drive, Frederick, MD 21702-4600 USA  
 Phone (301) 663-1600 • 1-800-638-3326  
 Fax (301) 663-1607 • 1-800-447-3326  
 Website: [www.edcoinc.com](http://www.edcoinc.com) • Email: [sales@edcoinc.com](mailto:sales@edcoinc.com)

Printed in USA  
 ©2005

**ILLUSTRATION 3: REAR CLOSE-OFF PANEL GROUPING**



NOTES:

1.) REMOVE THIS PANEL WHEN USING THE ROLL TABLE WITH THE VACUUM PORT AS SHOWN IN ILLUS. 1.

2.) THIS PANEL MUST BE INSTALLED AND SEALED WHEN CUTTING WET, USING THE STANDARD ROLL TABLE WITHOUT THE VACUUM PORT.

ITEM#	PART#	DESCRIPTION	QTY.
1	41159	PANEL, REAR CLOSE-OFF <i>USE SILICONE CAULKING AROUND PAN CUTOUT TO SEAL</i>	1
2	10018	SCREW, CAP 1/4-20 X 3/4	5
3	10602	WASHER, FLAT 1/4 SAE	5
4	10861	NUT, KEPS 1/4-20	5