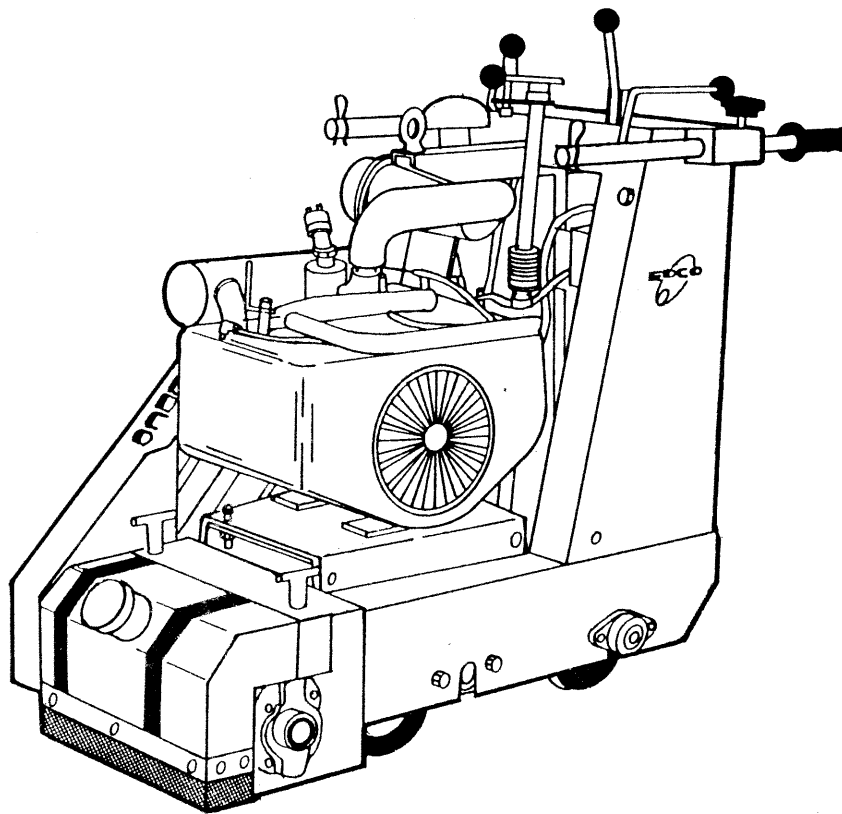


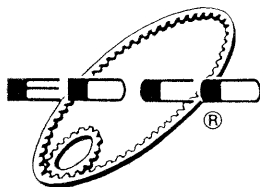
Oct. 1, 1990

# *Self-propelled* CONCRETE/ASPHALT PLANE

## PARTS MANUAL



Model CPU-10



**EQUIPMENT DEVELOPMENT COMPANY, INC.**

100 THOMAS JOHNSON DRIVE, FREDERICK, MARYLAND 21702-4305 USA  
301-663-1600 TOLL FREE 1-800-638-3326 FAX 301-663-1607

FIG. 1: MAIN FRAME ASSEMBLY

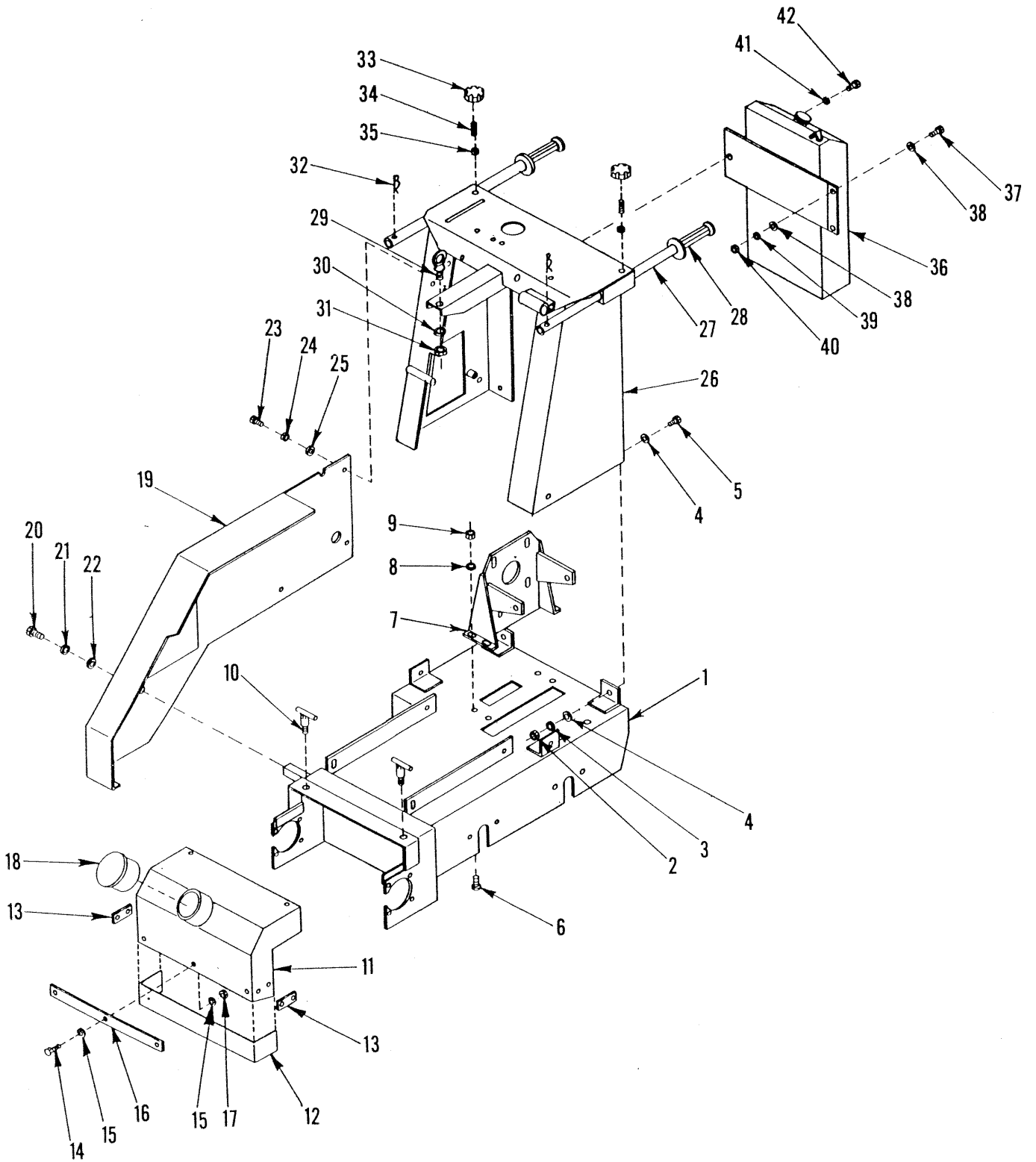


FIG. 1: MAIN FRAME ASSEMBLY

Item #	Part #	Qty.	Description
1.	64001	1	Main Frame
2.	10014	4	Nut 3/8-24
3.	10811	4	Washer, Lock 3/8
4.	10025	8	Washer, Flat 3/8
5.	10021	4	Screw, Cap 3/8-24 x 1
6.	10021	4	Screw, Cap 3/8-24 x 1
7.	64018	1	Mount, Transmission
8.	10811	4	Washer, Lock 3/8
9.	10014	4	Nut 3/8-24
10.	64003	2	Lock, Hood
11.	64002	1	Hood
12.	64029	1	Skirt, Rubber 2-1/2"W x 22"L
13.	64005	2	Strip, Skirt 2-1/2"L
14.	10018	7	Screw, Cap 1/4-20 x 3/4
15.	10602	14	Washer, Flat 1/4
16.	64004	1	Strip, Skirt 15-1/4"L
17.	10015	7	Nut, Lock 1/4-20
18.	64030	1	Caplug 3"
19.	64016	1	Cover, Belt
20.	10304	1	Screw, Cap 1/2-20 x 1
21.	10045	1	Washer, Lock 1/2
22.	10312	1	Washer, Flat 1/2
23.	10907	3	Screw, Cap 3/8-16 x 3/4
24.	10811	3	Washer, Lock 3/8
25.	10025	3	Washer, Flat 3/8
26.	64007	1	Console
27.	64015	2	Handle Bar 24"L
28.	61108	2	Grip, Handle 1" Ribbed
29.	10837	1	Bolt, Eye 1/2-13
30.	10045	1	Washer, Lock 1/2
31.	10417	1	Nut 1/2-13
32.	10124	2	Pin, Hitch 1"
33.	10923	2	Knob, Fluted 3/8-16 x 2"Dia
34.	50539	2	Rod, Allthread 3/8-16 x 1-3/4L
35.	10404	2	Nut 3/8-16
36.	64014	1	Tank, Gas
37.	10806	2	Screw, Cap 5/16-18 x 1
38.	10213	4	Washer, Flat 5/16
39.	10801	2	Washer, Lock 5/16
40.	10054	2	Nut 5/16-18
41.	10806	1	Screw, Cap 5/16-18 x 1
42.	10213	1	Washer, Flat 5/16

FIG. 2: LIFTING ASSEMBLY

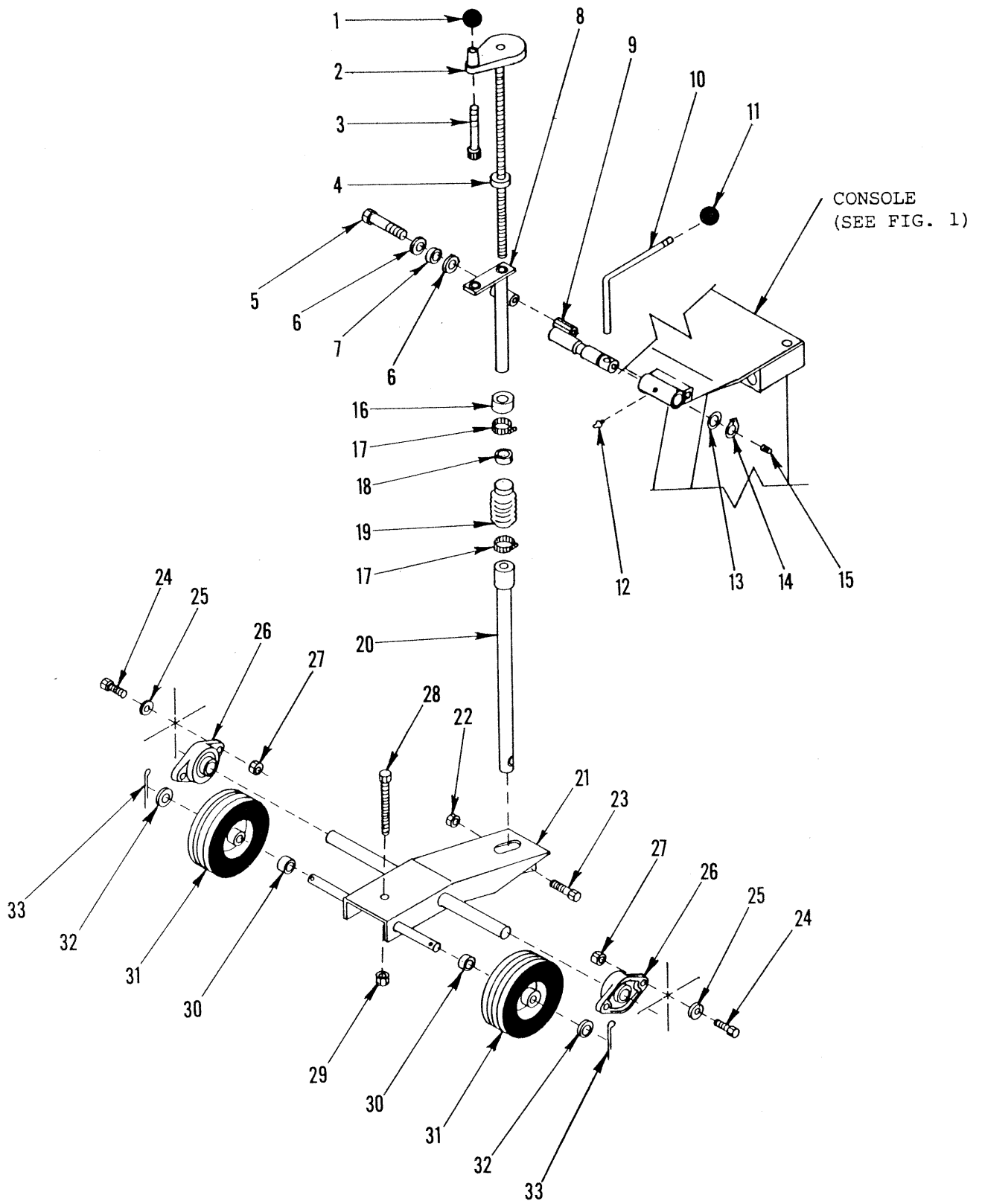
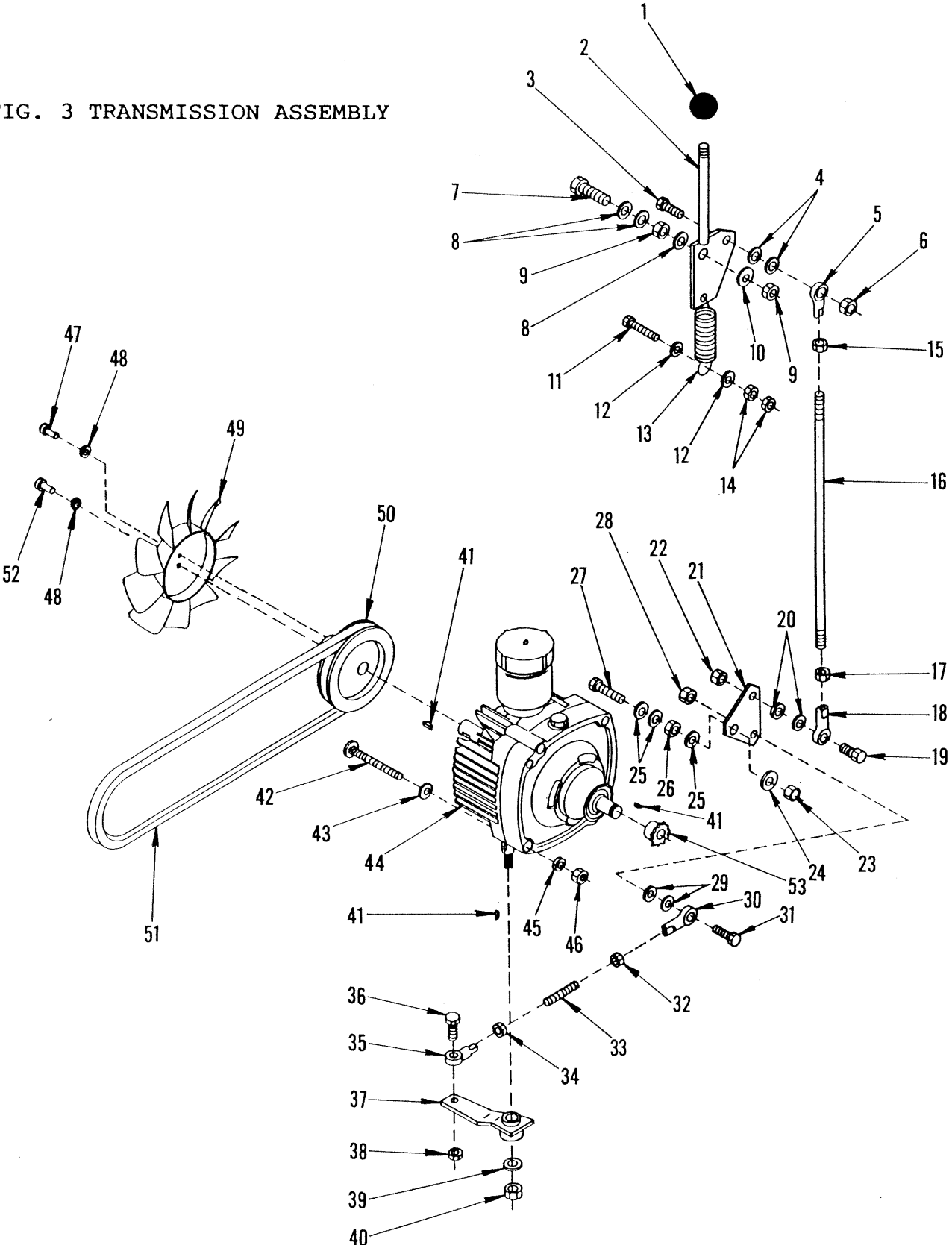


FIG. 2: LIFTING ASSEMBLY

Item #	Part #	Qty.	Description
1.	14023	1	Knob, Ball 1/2-13 x 1-3/8Rd.
2.	64011	1	Handwheel W/ 5/8-8 x 18"Rod
3.	10044	1	Screw, Skt. Hd. Cap 1/2-13 x 3-1/2
4.	85005	1	Bearing, Ball 5/8ID x 1-1/2OD Thrust
5.	10326	1	Screw, Cap 5/8-11 x 3
6.	10073	2	Washer, Flat 5/8
7.	79035	1	Bushing, Rubber 5/8ID x 1/4Thk
8.	64013	1	Support, Upper Linkage
9.	64010	1	Cam Assembly
10.	64009	1	Lever, Cam
11.	14023	1	Knob, Ball 1/2-13 x 1-3/8Rd.
12.	10808	1	Fitting, Grease 1/4-28 Straight
13.	3629	1	Spacer, Copper Thrust 1"ID x 1-1/4OD
14.	10906	1	Snap Ring, Ext. 1"
15.	10052	1	Screw, Set 5/16-18 x 3/8
16.	10440	1	Collar, Locking 7/8"
17.	10784	2	Clamp, Hose Adj. 11/16 - 1-3/4"
18.	10096	1	Collar, Locking 5/8"
19.	10930	1	Bellows
20.	64012	1	Linkage, Lower Control 18-1/2"L
21.	64006	1	Fork
22.	10205	1	Nut, Lock 1/2-20
23.	10322	1	Screw, Cap 1/2-20 x 2
24.	10003	4	Screw, Cap 7/16-20 x 1-1/4
25.	10062	4	Washer, Flat 7/16
26.	62022	2	Bearing, Ball 1" 2-Hole Flange
27.	10002	4	Nut, Lock 7/16-20
28.	10373	1	Screw, Cap 1/2-13 x 5"Full
29.	10417	1	Nut 1/2-13
30.	64031	2	Spacer, Wheel 3/4ID x 1"L
31.	80028	2	Wheel 6 x 2 x 3/4"Bore
32.	10009	2	Washer, Flat 3/4
33.	10306	2	Pin, Cotter 3/16 x 1-1/2

FIG. 3 TRANSMISSION ASSEMBLY



### FIG. 3 TRANSMISSION ASSEMBLY

Item #	Part #	Qty.	Description
1.	10920	1	Knob, Ball 5/16-24 x 1-3/8Rd.
2.	64020	1	Lever, Drive
3.	10309	1	Screw, Cap 3/8-24 x 1-1/4
4.	10025	2	Washer, Flat 3/8
5.	10919	1	Rod End Female
6.	10004	1	Nut, Lock 3/8-24
7.	10356	1	Screw, Cap 1/2-13 x 1-1/2
8.	10312	3	Washer, Flat 1/2
9.	10407	2	Nut, Lock 1/2-13
10.	10040	1	Washer, Garrett 17/32
11.	10314	1	Screw, Cap 1/4-20 x 1-3/4
12.	10602	2	Washer, Flat 1/4
13.	50074	1	Spring, Ext. 1"OD x 2-1/2CL
14.	10015	2	Nut, Lock 1/4-20
15.	10014	1	Nut 3/8-24
16.	64023	1	Linkage, Rod 3/8 x 14-1/4L
17.	10014	1	Nut 3/8-24
18.	10919	1	Rod End, Female 3/8-24
19.	10309	1	Screw, Cap 3/8-24 x 1-1/4
20.	10025	2	Washer, Flat 3/8
21.	64021	1	Bell Crank, Drive Linkage
22.	10004	1	Nut, Lock 3/8-24
23.	10407	1	Nut, Lock 1/2-13
24.	10040	1	Washer, Garrett 1/2"
25.	10312	3	Washer, Flat 1/2"
26.	10407	1	Nut, Lock 1/2-13
27.	10356	1	Screw, Cap 1/2-13 x 1-1/2
28.	10004	1	Nut, Lock 3/8-24
29.	10025	2	Washer, Flat 3/8
30.	10919	1	Rod End, Female 3/8-24
31.	10309	1	Screw, Cap 3/8-24 x 1-1/4
32.	10014	1	Nut 3/8-24
33.	64024	1	Rod, Allthread 3/8-24 x 2"L
34.	10014	1	Nut, 3/8-24
35.	10919	1	Rod End, Female 3/8-24
36.	10309	1	Screw, Cap 3/8-24 x 1-1/4
37.	64022	1	Trans. Control Arm
38.	10004	1	Nut, Lock 3/8-24
39.	10811	1	Washer, Lock 3/8
40.	10014	1	Nut 3/8-24
41.	50071	3	Key, Woodruff 1/8 x 1/2 (#3)
42.	10909	4	Bolt, Carr. 3/8-16 x 3
43.	10040	4	Washer, Garrett 17/32
44.	50061	1	Transmission, Hydrostatic
45.	10811	4	Washer, Lock 3/8
46.	10404	4	Nut 3/8-16
47.	10391	1	Screw, Skt. Hd. Cap 1/4-28 x 5/8
48.	10038	2	Washer, Lock 1/4
49.	50266	1	Fan Blade 7", Trans.
50.	50062	1	Sheave, Trans. 4"OD x 1Gr.
51.	10240	1	Belt AP-44
52.	10390	1	Screw, Skt. Hd. Cap 1/4-20 x 5/8
53.	50048	1	Sprocket #3511 x .67" Bore

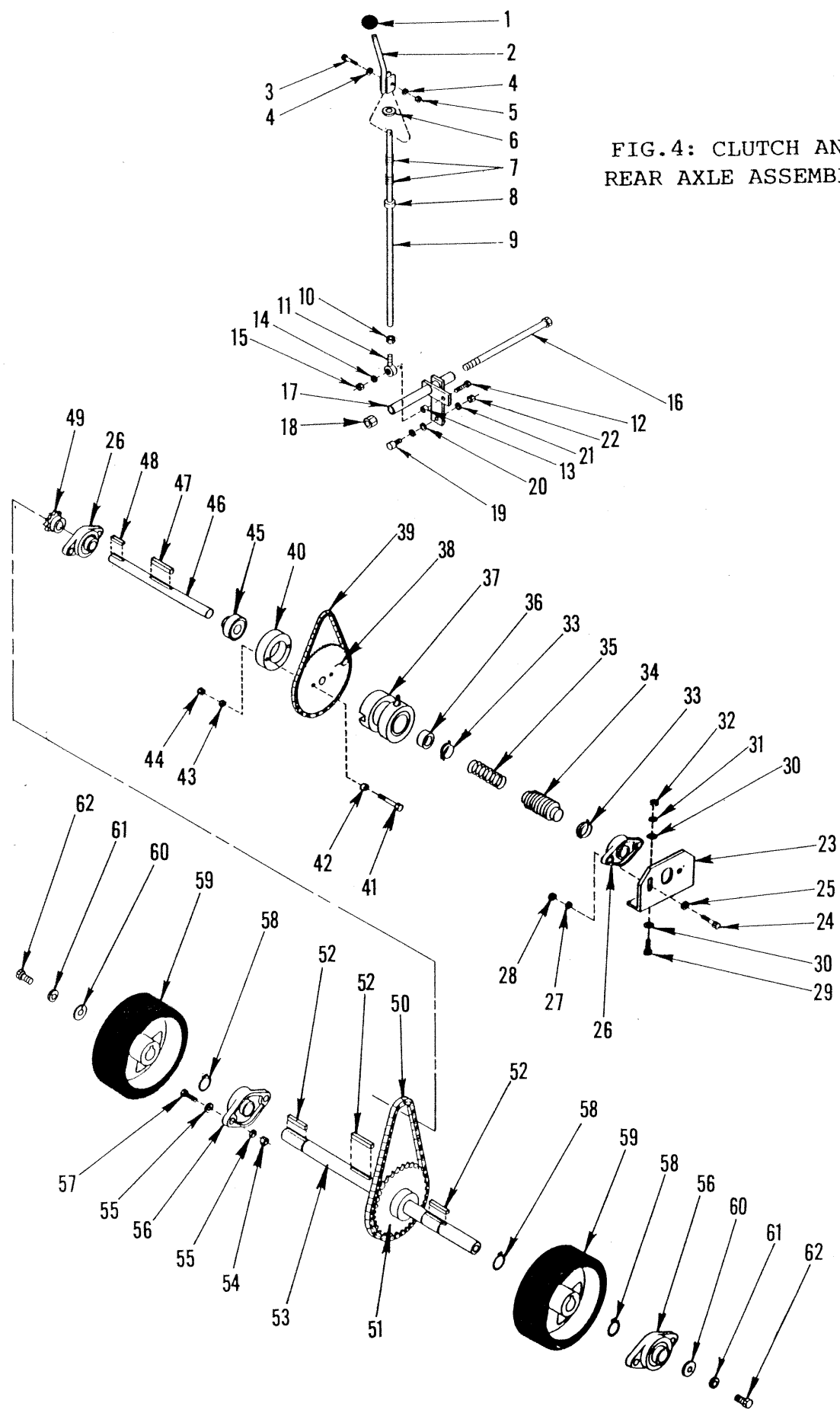


FIG. 4: CLUTCH AND REAR AXLE ASSEMBLY



FIG. 4: CLUTCH AND REAR AXLE ASSEMBLY

Item #	Part #	Qty.	Description
1.	14023	1	Knob, Ball 1/2-13 x 1-3/8 RD
2.	64025	1	Lever, Clutch
3.	10905	1	Screw, Cap 1/4-20 x 1-1/4
4.	10602	2	Washer, Flat 1/4
5.	10015	1	Nut, Lock 1/4-20
6.	57030	1	Washer, Clutch Lever
7.	10921	2	Spring, Comp. .72"OD x 1-1/4"CL
8.	10431	1	Collar, Locking 1/2
9.	57126	1	Linkage, Clutch 19-1/2
10.	10014	1	Nut 3/8-24
11.	3605	1	Rod End, Male 3/8-24
12.	10309	1	Screw, Cap 3/8-24 x 1-1/4
13.	10011	1	Spacer, Steel 3/8ID x 3/8W.
14.	10025	1	Washer, Flat 3/8
15.	10004	1	Nut, Lock 3/8-24
16.	10408	1	Screw, Cap 1/2-13 x 9
17.	64026	1	Bell Crank, Clutch
18.	10407	1	Nut, Lock 1/2-13
19.	10924	1	Cam Follower Brg. 3/4 x 3/8-24Thd.
20.	10025	2	Washer, Flat 3/8
21.	10811	1	Washer, Lock 3/8
22.	10014	1	Nut 3/8-24
23.	50509	1	Mount, Jackshaft Bearing
24.	10309	4	Screw, Cap 3/8-24 x 1-1/4
25.	10025	4	Washer, Flat 3/8
26.	50049	2	Bearing, Ball 3/4" 2-Hole Flange
27.	10811	4	Washer, Lock 3/8
28.	10014	4	Nut 3/8-24
29.	10309	2	Screw, Cap 3/8-24 x 1-1/4
30.	10025	4	Washer, Flat 3/8
31.	10811	2	Washer, Lock 3/8
32.	10014	2	Nut 3/8-24
33.	10768	2	Clamp, Hose Spring 1-1/4"
34.	10930	1	Bellows
35.	10922	1	Spring, Comp. .968"OD x 3-1/2"CL
36.	57044	1	Clutch, Spring Cup
37.	50477	1	Clutch, Dog Sub-Assy. (Includes Parts Below)
	57042	1	Clutch, Dog Block
	57043	1	Collar, Locking 2"
	3695	1	Seal, Oil .750 x 1.375 x .250
	10808	1	Fitting, Grease 1/4-28 Straight
38.	50476	1	Sprocket #35A60 x 3/4 Bore
39.	64032	1	Chain #35 x 24-1/2"LOA
40.	57039	1	Clutch Bearing Carrier
41.	10354	2	Screw, Skt. Hd. Cap 3/8-24 x 1-3/4
42.	10113	2	Spacer 3/8ID x 3/16W.
43.	10811	2	Washer, Lock 3/8
44.	10014	2	Nut 3/8-24
45.	57038	1	Bearing, Ball 3/4"ID x 1.8504"OD SL-12
46.	64027	1	Jackshaft, Clutch 10-1/2L
47.	10307	1	Key 1/4 Sq. x 2-1/4
48.	50523	1	Key 3/16 Sq. x 1-1/8
49.	50436	1	Sprocket 40B10 x 3/4 Bore
50.	64033	1	Chain #40 x 26-3/8"LOA
51.	61126	1	Sprocket #40B34 x 1"Bore
52.	10307	3	Key 1/4 SQ. x 2-1/4
53.	64028	1	Axle Shaft 1"Rd. x 20-3/8"L.
54.	10002	4	Nut, Lock 7/16-20
55.	10062	8	Washer, Flat 7/16
56.	62022	2	Bearing, Ball 1" 2 Hole Flange
57.	10003	4	Screw, Cap 7/16-20 x 1-1/4
58.	10906	3	Snap Ring, Ext. 1"
59.	50098	2	Wheel 8 x 2 x 1"Bore
60.	10433	2	Washer, Spring 1/2"ID x 3/32"Thk
61.	10045	2	Washer, Lock 1/2
62.	10914	2	Screw, Cap 1/2-13 x 1

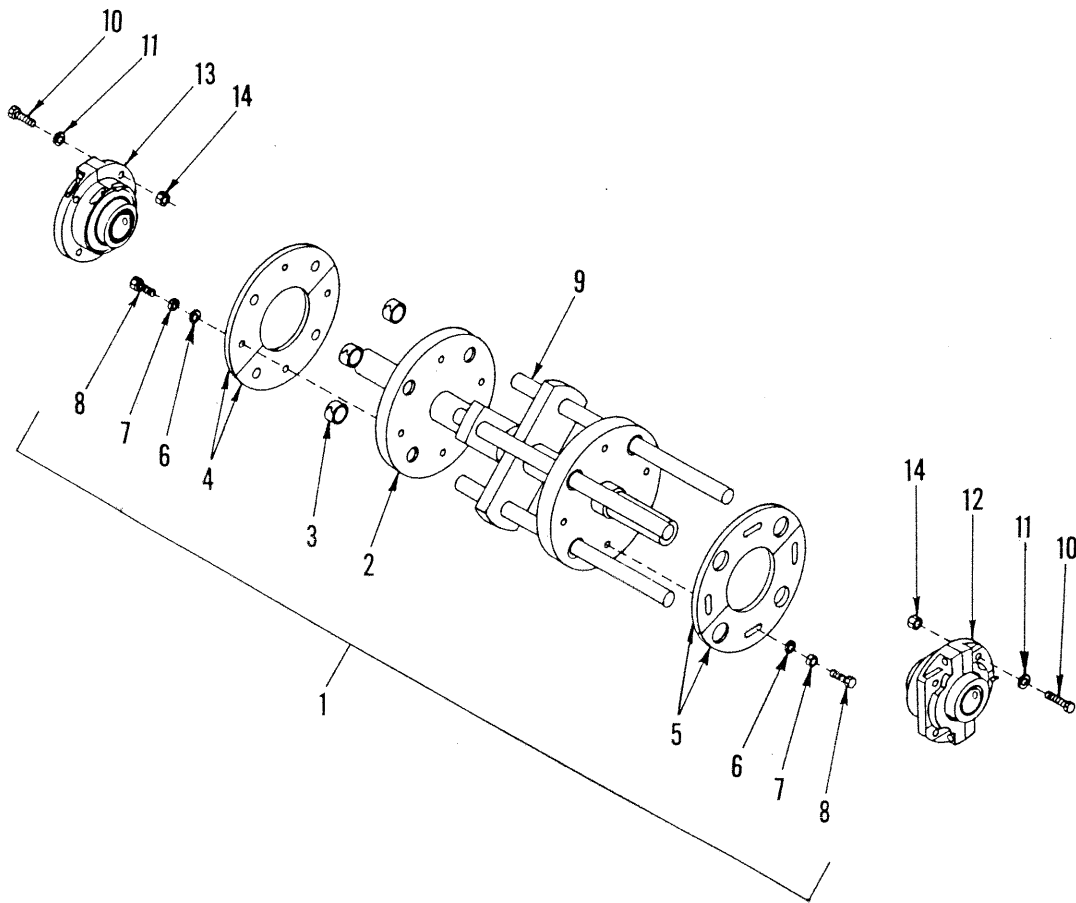


FIG. 5: DRUM ASSEMBLY

Item #	Part #	Qty.	Description
1.	84078		Drum Assembly Complete (Includes Items 2 thru 8)
2.	84079	1	Drum Only
3.	84063	8	Bushing, Cutter Shaft
4.	84065	1	Retaining Plate (2 Halves)
5.	84064	1	Locking Plate (2 Halves)
6.	10025	8	Washer, Flat 3/8
7.	10811	8	Washer, Lock 3/8
8.	10912	8	Screw, Cap 3/8-16 x 7/8
9.	20120	4	CP406B Cutter Shaft
10.	10309	8	Screw, Cap 3/8-24 x 1-1/4
11.	10025	8	Washer, Flat 3/8
12.	84082R	1	Bearing, Roller 1-1/4 Pilot 4 Hole
13.	84083L	1	Bearing, Roller 1-1/4 Pilot 4 Hole
14.	10004	8	Nut, Lock 3/8-24

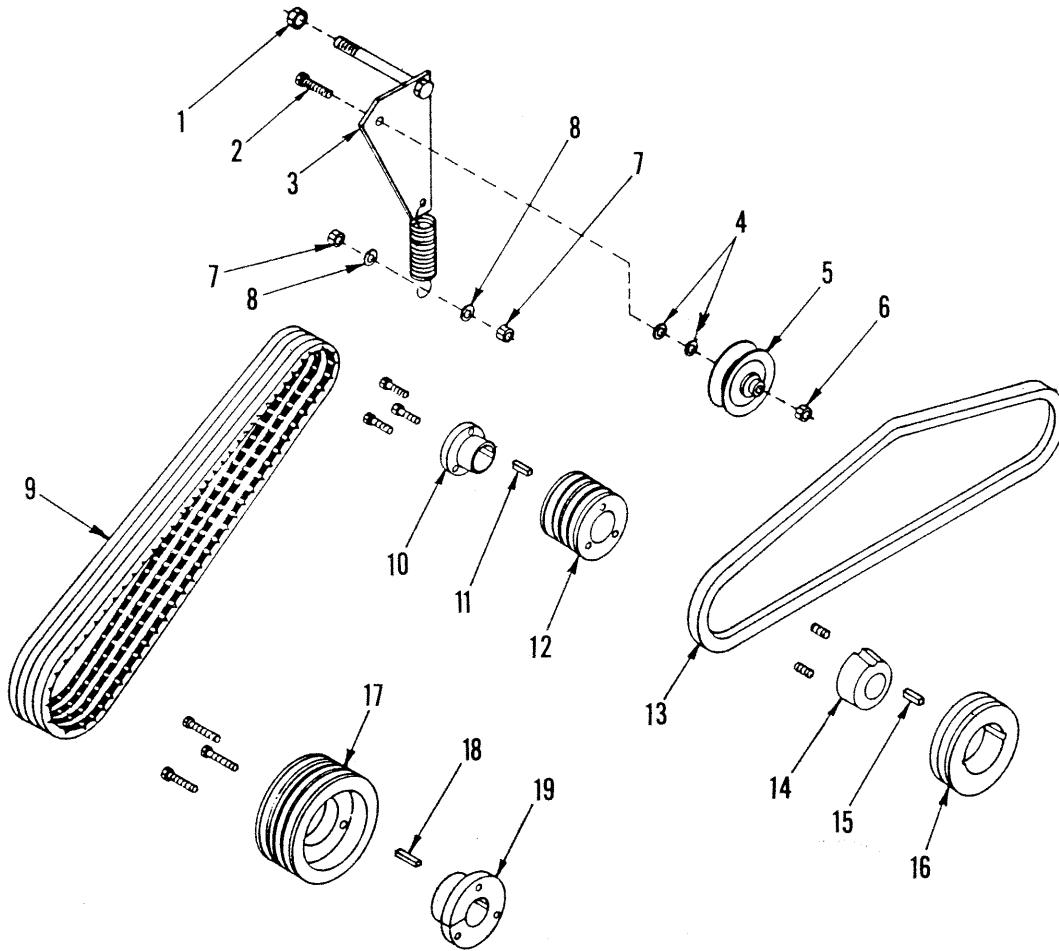


FIG. 6: BELT DRIVE ASSEMBLY

Item #	Part #	Qty.	Description
1.	10407	1	Nut, Lock 1/2-13
2.	10816	1	Screw, Cap 3/8-24 x 1-1/2
3.	64019	1	Bracket, Idler
4.	10025	2	Washer, Flat 3/8
5.	50115	1	Pulley, Idler 3"OD x 1Gr.AB x 3/8"B
6.	10004	1	Nut, Lock 3/8-24
7.	10810	2	Nut, Lock 3/8-16
8.	10025	2	Washer, Flat 3/8
9.	10235	4	Belt 3VX-475
10.	-----	0	No Bushing Required (20HP)
or	10533	1	Bushing, Sheave JA x 1-1/8"Bore (18HP)
11.	10118	1	Key 3/8Sq.x 2-1/4 (20HP)
or	-----	1	Key 1/4 x 3/16 x 1" (18HP)
12.	64036	1	Sheave 2.80D x 4Gr.3V x 1-7/16 Bore (20HP)
or	64037	1	Sheave 2.80D x 4Gr.3V x JA (18HP)
13.	10240	1	Belt AP-44
14.	10531	1	Bushing, Sheave Taper-Lock 1-7/16"Bore (20HP)
or	10529	1	Bushing, Sheave Taper-Lock 1-1/8"Bore (18HP)
15.	10305	1	Key 1/4Sq. x 1-1/4
16.	10528	1	Sheave 4.15"OD x 1Gr.AB x Taper-Lock
17.	64038	1	Sheave 4.75"OD x 4Gr.3V x SDS
18.	10305	1	Key 1/4Sq. x 1-1/4
19.	10064	1	Bushing, Sheave SDS x 1-1/4"Bore

FIG. 7: ENGINE GROUPING

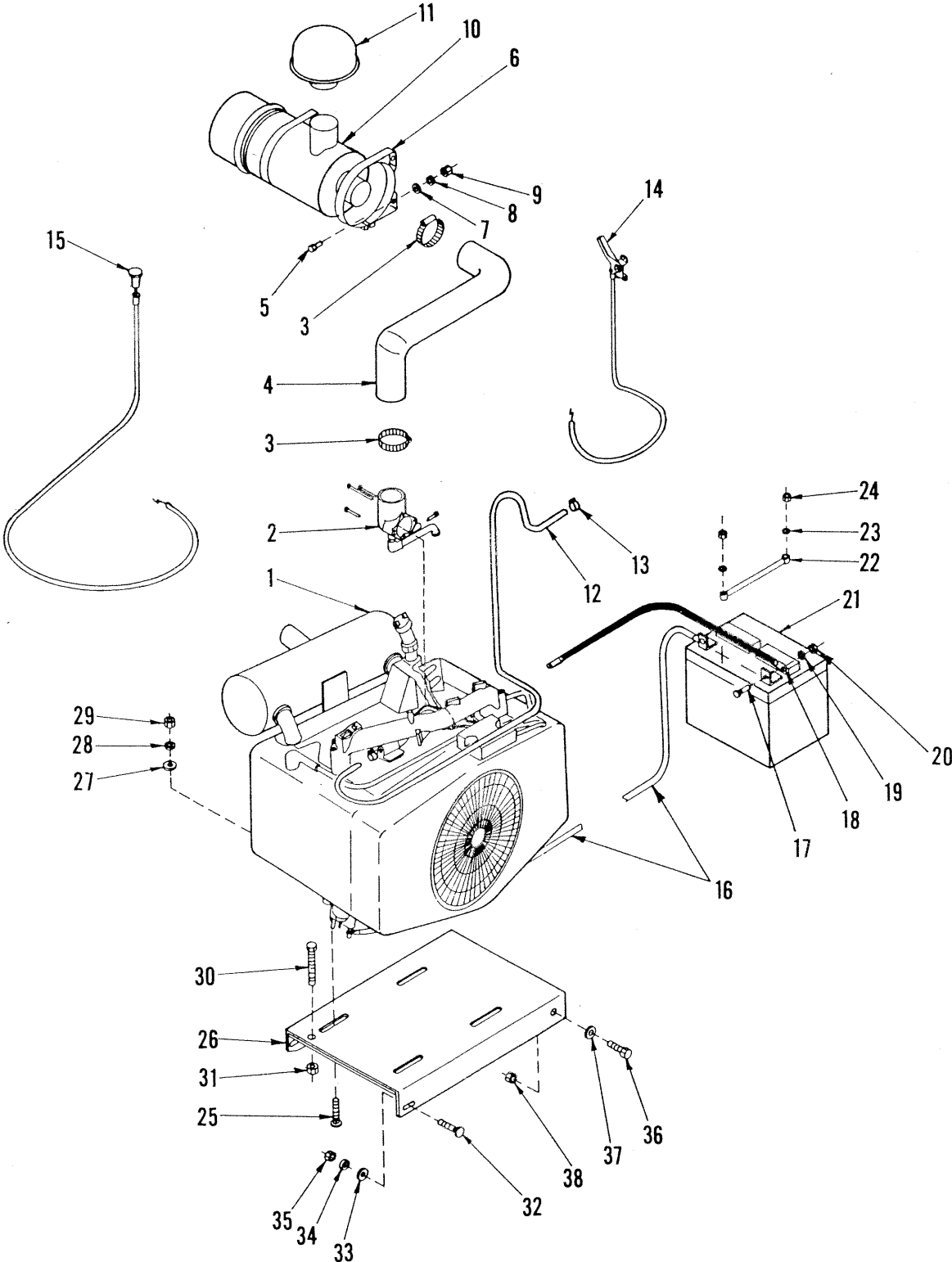


FIG. 7: ENGINE GROUPING

Item #	Part #	Qty.	Description
1.	15007	1	Engine, Kohler 18 HP Magnum
or	15020	1	Engine, Kohler 20 HP Magnum
2.	15117	1	Elbow Kit, Remote Air Cleaner
3.	10745	2	Clamp, Hose Adj. 1-7/8 to 2-3/4
4.	64034	1	Hose Elbow, Double 90
5.	10806	4	Screw, Cap 5/16-18 x 1
6.	10662	2	Mounting Band, Cyclopac
7.	10213	4	Washer, Flat 5/16
8.	10801	4	Washer, Lock 5/16
9.	10054	4	Nut 5/16-18
10.	10612	1	Air Cleaner Assy., Cyclopac (Includes Filter Element)
	10611		Element, Air Filter Cyclopac (Replacement)
11.	10626	1	Rain Cap, Cyclopac
12.	64035	1	Hose, Fuel 1/4ID x 56"
13.	10763	2	Clamp, Hose Spring 7/16
14.	3611	1	Cable, Throttle Lever Type 54"
15.	50443	1	Cable, Choke 54"
16.	61064	1	Cable, Eye To Eye 40" (Red)
17.	10818	2	Bolt, Carr. 5/16-18 x 3/4
18.	50117B	1	Cable, Eye To Eye 24" (Black)
19.	10801	2	Washer, Lock 5/16
20.	10054	2	Nut 5/16-18
21.	84011	1	Battery 12 Volt/295 C.C.A.
22.	64008	1	Clamp, Battery Hold Down
23.	10811	2	Washer, Lock 3/8
24.	10404	2	Nut 3/8-16
25.	10804	4	Bolt, Carr. 3/8-16 x 1-1/2
26.	64017	1	Mount, Engine
27.	10025	2	Washer, Flat 3/8
28.	10811	4	Washer, Lock 3/8
29.	10404	4	Nut 3/8-16
30.	10340	1	Screw, Cap 1/2-13 x 3 Full
31.	10417	1	Nut 1/2-13
32.	10802	2	Bolt, Carr. 3/8-16 x 1
33.	10025	2	Washer, Flat 3/8
34.	10811	2	Washer, Lock 3/8
35.	10404	2	Nut 3/8-16
36.	10304	2	Screw, Cap 1/2-20 x 1
37.	10312	2	Washer, Flat 1/2
38.	10205	2	Nut, Lock 1/2-20

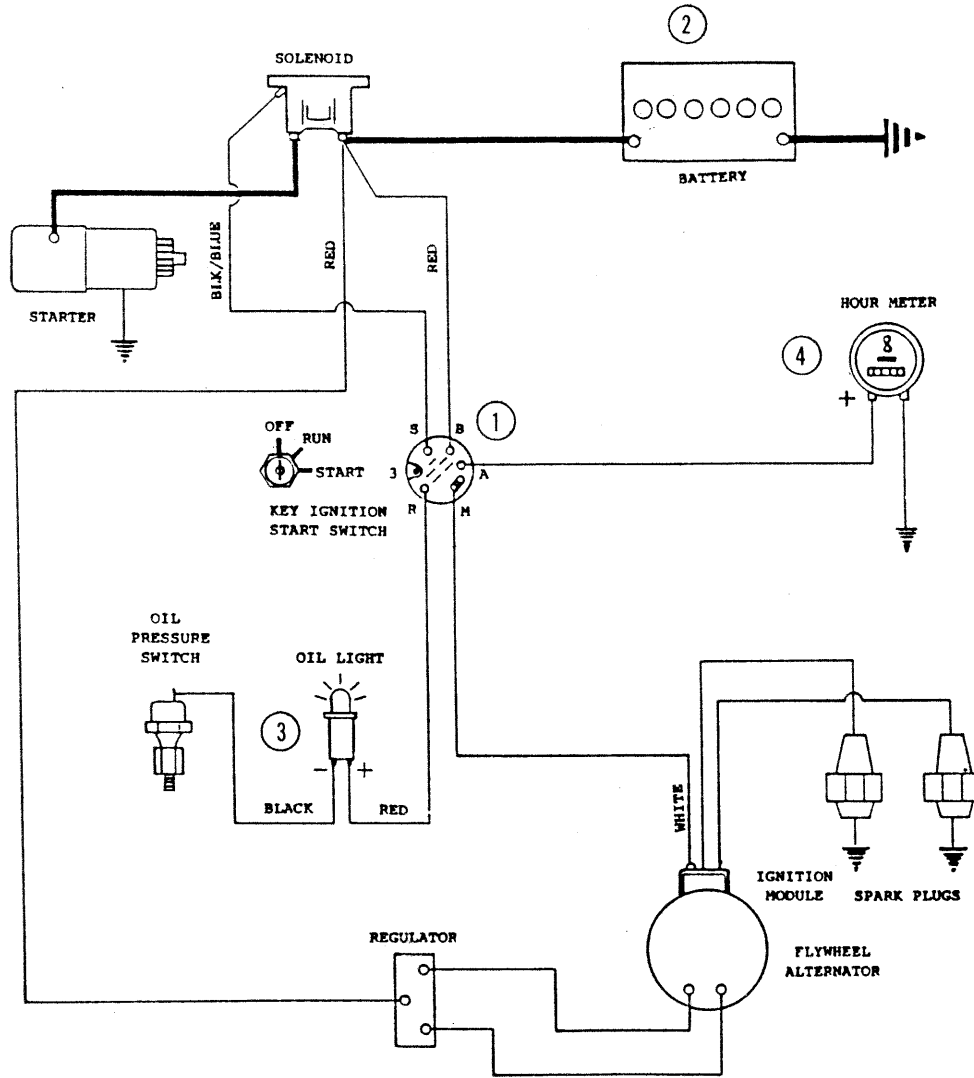


FIG. 8: WIRING DIAGRAM  
for  
18 or 20 H.P. KOHLER MAGNUM

Item #	Part #	Qty.	Description
1.	10650	1	Switch, Key Ignition
2.	84011	1	Battery 12 Volt/295 CCA
3.	10651	1	Light, Oil Pressure
4.	10637	1	Meter, Hour