

REVISED STARTING SERIAL#2013

# GASOLINE POWERED 20" MASONRY SAW PARTS LIST MANUAL



## Model GMS-20



100 Thomas Johnson Drive, Frederick, MD 21702-4600 USA  
Phone (301) 663-1600 • 1-800-638-3326  
Fax (301) 663-1607 • 1-800-447-3326  
Website: [www.edcoinc.com](http://www.edcoinc.com) • Email: [sales@edcoinc.com](mailto:sales@edcoinc.com)

Printed in USA  
©2004

READ AND UNDERSTAND THE OPERATORS INSTRUCTION MANUAL THOROUGHLY BEFORE ATTEMPTING TO OPERATE THIS EQUIPMENT. Death or serious injury could occur if this machine is used improperly.



## SAFETY MESSAGES



The safety instructions are preceded by a graphic alert message of DANGER, WARNING, or CAUTION.



Indicates an imminent hazard which, if not avoided, will result in death or serious injury.



Indicates an imminent hazard which, if not avoided, can result in death or serious injury.



Indicates hazards which, if not avoided, could result in serious injury and or damage to the equipment.

## GASOLINE Powered Equipment



- Do not operate gasoline powered equipment without adequate ventilation. Carbon monoxide is an invisible, odorless gas that can kill.

## ELECTRICAL Powered Equipment



- ELECTRICAL HAZARD** - Be sure equipment is properly grounded. Failure to comply could kill or result in serious injury.



The engine exhaust from this product contains chemicals known to the State of California to cause cancer, birth defects or other reproductive harm.

## GENERAL INSTRUCTIONS



- You must read and understand the operators instruction manual and all other manuals associated with this machine. For your safety and the safety of others around you, it is extremely important to fully understand how to operate this machine in the way it was intended. Different model machines or older/newer versions of the same model may have different parts and controls that you need to understand. If instructions are not readable or available DO NOT USE this machine and contact the factory for a replacement Manual.
- You must be able to physically handle the bulk weight and power of this machine. If not properly controlled this machine can cause death or serious injury.
- Do not operate this machine in an impaired mental state. You must be able to exercise good judgement and reactions to maintain a safe working environment.
- This is a "one person" machine which means only one operator can be operating the machine at any one time. For the safety of others, maintain a safe operating distance to other personnel. Your work area should be defined and appropriately marked so bystanders and coworkers do not stand or walk near this machine and end up seriously injured by flying debris or exposing them to harmful noise or dust.
- This equipment is for Commercial use. Although this is a "one person" machine your work team should understand how to shut this machine off and quickly get medical help if an accident strikes the operator.
- Keep all guards in place during operation. The guards are to provide protection from inadvertent contact with dangerous moving parts, pinch points, or hot surfaces.
- Wear appropriate Personal Protective Equipment (PPE) including safety glasses, safety boots, work gloves, respiratory protection, hearing protection, and head protection. Do not wear loose clothing that can get tangled in moving parts. Failure to do so could result in dismemberment or death. **Wear an approved respirator when removing hazardous materials or when grinding/cutting dry materials. Some dust particles such as concrete dust can contain silicate particles which can cause silicosis (a very serious lung disease). Contact NIOSH or OSHA for further details. When wet grinding/cutting, avoid contact with the concrete/asphalt slurry which can cause serious skin irritations.**
- You must maintain this machine per the maintenance schedule in the operator manual. Remember before adjusting, servicing, or fueling this machine, disconnect the source of power to the machine by disconnecting the spark plug (Gas models), or by unplugging the electrical power cord (electric models) or air hose (Pneumatic models) AT THE MACHINE so you can assure yourself it remains unplugged while you are working on it. Do not modify this machine. Use only genuine EDCO parts and accessories. Repairs and service should be performed by approved EDCO dealers or authorized technicians.
- You should look carefully around the area before you begin work so you can identify potential hazards such as deck inserts, pipes, columns, openings, electrical cords or outlets, or any other objects protruding from the slab surface.
- This machine has no brain so you must use your own. There is no substitute for safety. The safety decals on the machine are to serve as a reminder for information you must already know before you begin using this machine. Take a moment to reread the safety decals each time you use the machine. If your machine is missing any decals, contact the factory for a replacement (EDCO 1-800-638-3326).

# PARTS LIST MANUAL

## MODEL GMS-20

Section	Page Number
Safety Messages / General Instructions .....	2
How To Order Replacement Parts .....	3
Illustration 1 : Main Grouping .....	4,5
Illustration 2 : Foot Pedal & Linkage Grouping .....	6,7
Illustration 3 : Water Pump & Blade Guard Grouping .....	8,9
Illustration 4 : Rolling Table Assembly Grouping .....	10
Illustration 5 : Arbor Assembly Grouping .....	11
Illustration 6 : Engine Grouping .....	12,13
Illustration 7 : Arbor Deck & Belt Cover Grouping .....	14
Illustration 8 : Belt Drive Assembly Grouping .....	15
Limited Equipment Warranty .....	back cover

GASOLINE POWERED 20" MASONRY SAWS		
PART NO.	MODEL	GASOLINE ENGINE POWER OPTION
22500	GMS20-9H	9 HP HONDA GX270-QXC9
21100	GMS20-11H	11 HP HONDA GX340K1-QXC9

### HOW TO ORDER REPLACEMENT PARTS

- To insure product safety and reliability, always use genuine EDCO replacement parts when making repairs to the equipment.
- When calling for parts, specify the MODEL and SERIAL NUMBER of the machine which can be found on the NAME PLATE. Keep that information in the space provided. In addition to this information, give part number, description and quantity as listed on the parts list to your parts representative.
- Please note: Due to improvements and changes in the equipment, the illustrations shown may be different than the actual machine.

### FILL IN INFORMATION BELOW

Date of Purchase \_\_\_\_\_

Name of Machine \_\_\_\_\_

Model # \_\_\_\_\_

Serial # \_\_\_\_\_

Belt Size(s) \_\_\_\_\_

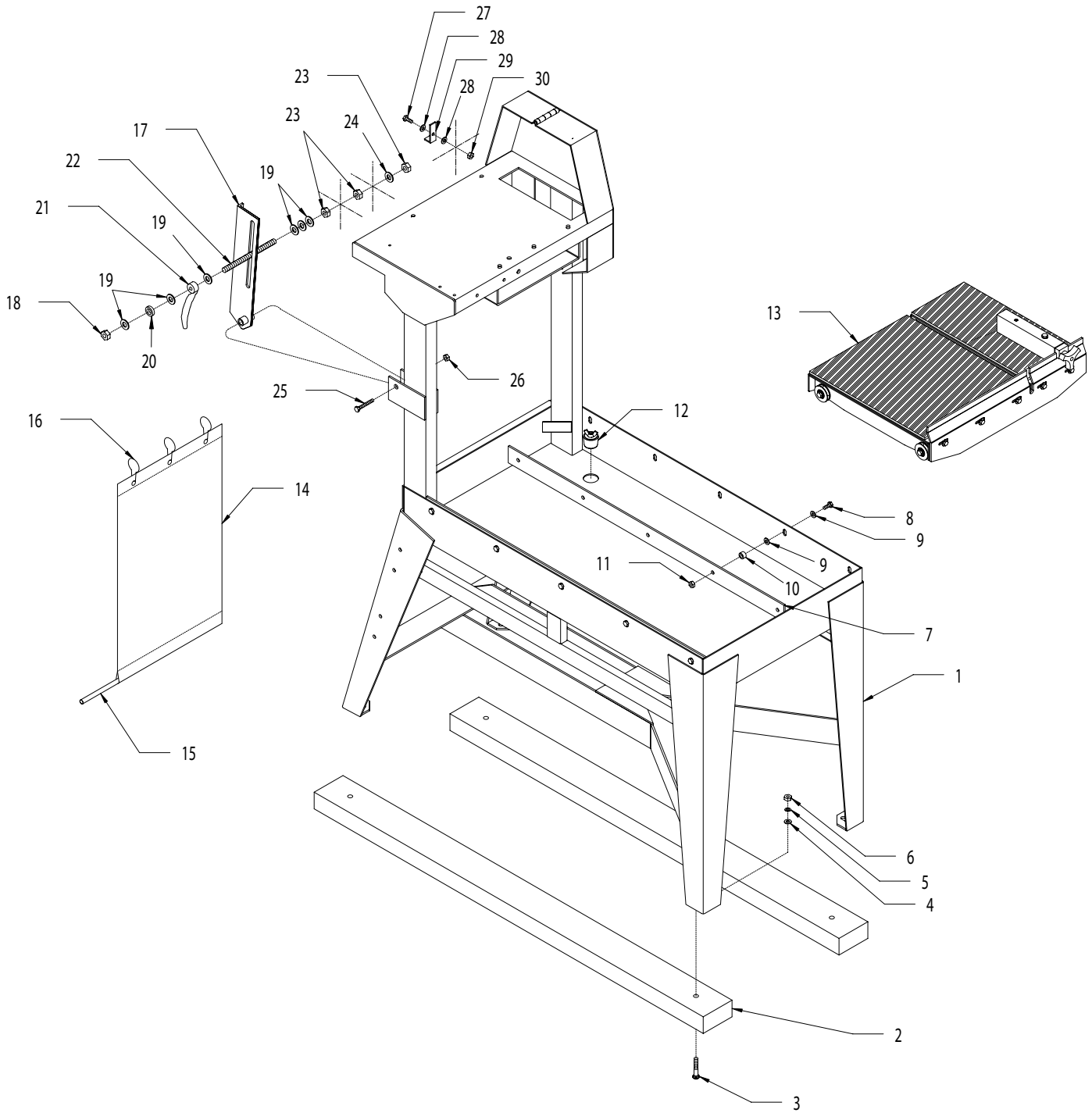
Toll Free: 1-800-638-3326  
 FAX: 1-800-447-3326  
 email: [sales@edcoinc.com](mailto:sales@edcoinc.com)  
[www.edcoinc.com](http://www.edcoinc.com)



100 Thomas Johnson Drive, Frederick, MD 21702-4600 USA  
 Phone (301) 663-1600 • 1-800-638-3326  
 Fax (301) 663-1607 • 1-800-447-3326  
 Website: [www.edcoinc.com](http://www.edcoinc.com) • Email: [sales@edcoinc.com](mailto:sales@edcoinc.com)

Printed in USA  
 ©2004

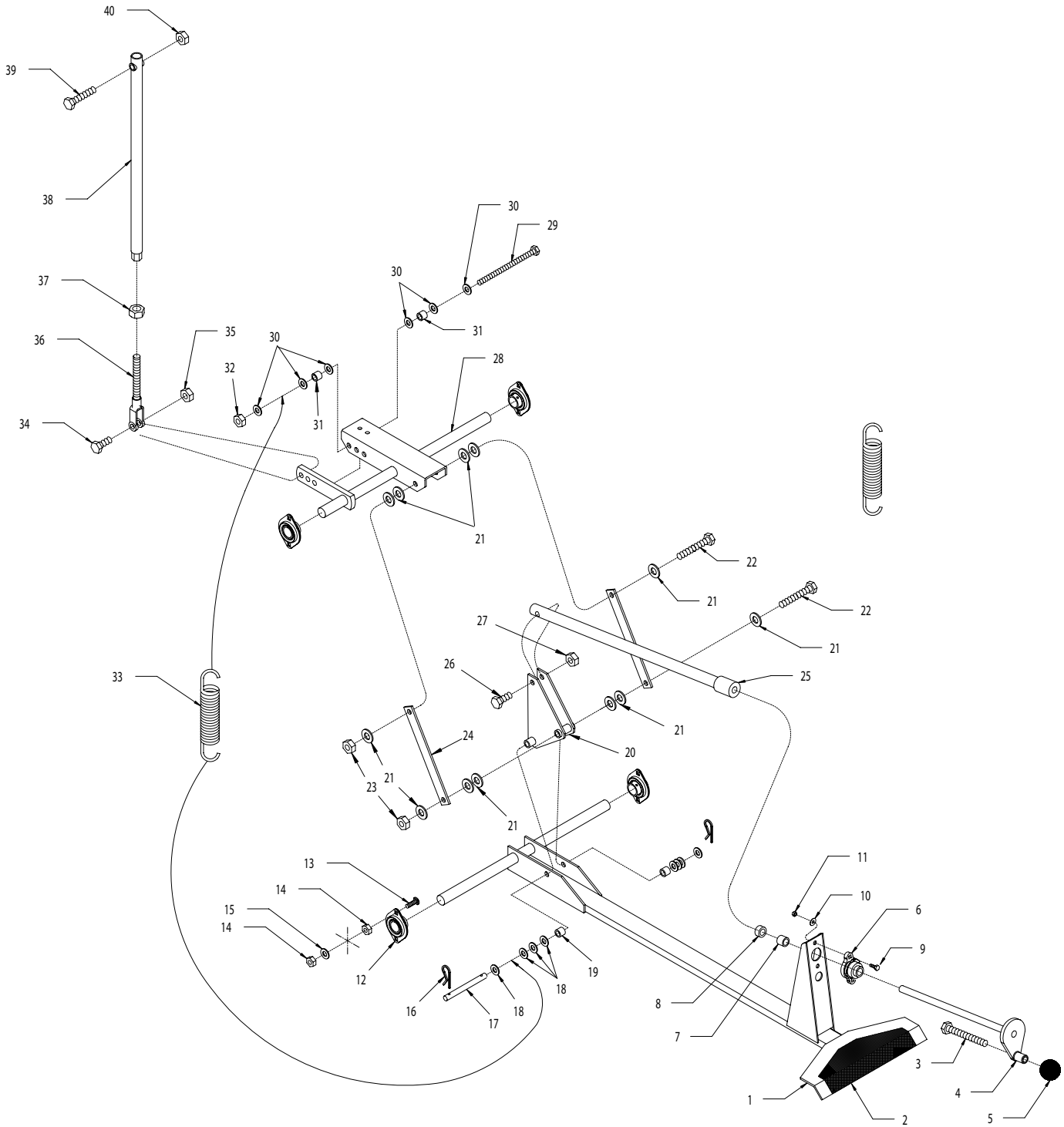
ILLUSTRATION 1 : MAIN GROUPING



PARTS LISTING - ILLUSTRATION 1 : MAIN GROUPING			
ITEM#	PART#	DESCRIPTION	QTY.
1	41001	STAND, PAN, & DECK ASSEMBLY	1
2	41002	SKID BOARD 2x4x54"L	2
3	10364	BOLT, CARRIAGE 3/8-16x2 FULL THD.	4
4	10025	WASHER, FLAT 3/8	4
5	10811	WASHER, LOCK 3/8	4
6	10404	NUT 3/8-16	4
7	41003	RAIL, GUIDE	2
8	10309	SCREW, CAP 3/8-24x1-1/4 PLATED	10
9	10025	WASHER, FLAT 3/8	20
10	10011	SPACER, STEEL 5/8" OD x 3/8" ID x 3/8" THK	10
11	10004	NUT, LOCK 3/8-24	10
12	40378	STOPPER ASSEMBLY 1-1/2"	1
13	41101	TABLE COMPLETE, ROLLING (REFER TO ILLUS. 5 FOR BREAKDOWN)	1
14	40375	CURTAIN 15"x28" W/ LOGO	1
15	40377	CURTAIN ROD 1/2" DIA. x 13"L	1
16	40376	HOOK, CURTAIN	3
17	41021	PLATE, PIVOT LOCK	1
18	10155	NUT, HEX NYLON LOCK 1/2-13	1
19	10312	WASHER, FLAT 1/2	6
20	79035	BUSHING, RUBBER 1-1/16" OD x 5/8" ID	1
21	40358	NUT, TAIL HANDLE 1/2-13	1
22	41108	ROD, ALLTHREAD 1/2-13x7"L	1
23	10417	NUT 1/2-13	3
24	10045	WASHER, LOCK 1/2	1
25	10343	SCREW, CAP 1/2-20x2-1/2	1
26	10205	NUT, LOCK 1/2-20	1
27	10053	SCREW, CAP 5/16-18x3/4	1
28	10213	WASHER, FLAT 5/16	2
29	40048	LATCH, BELT COVER	1
30	10807	NUT, LOCK 5/16-18	1



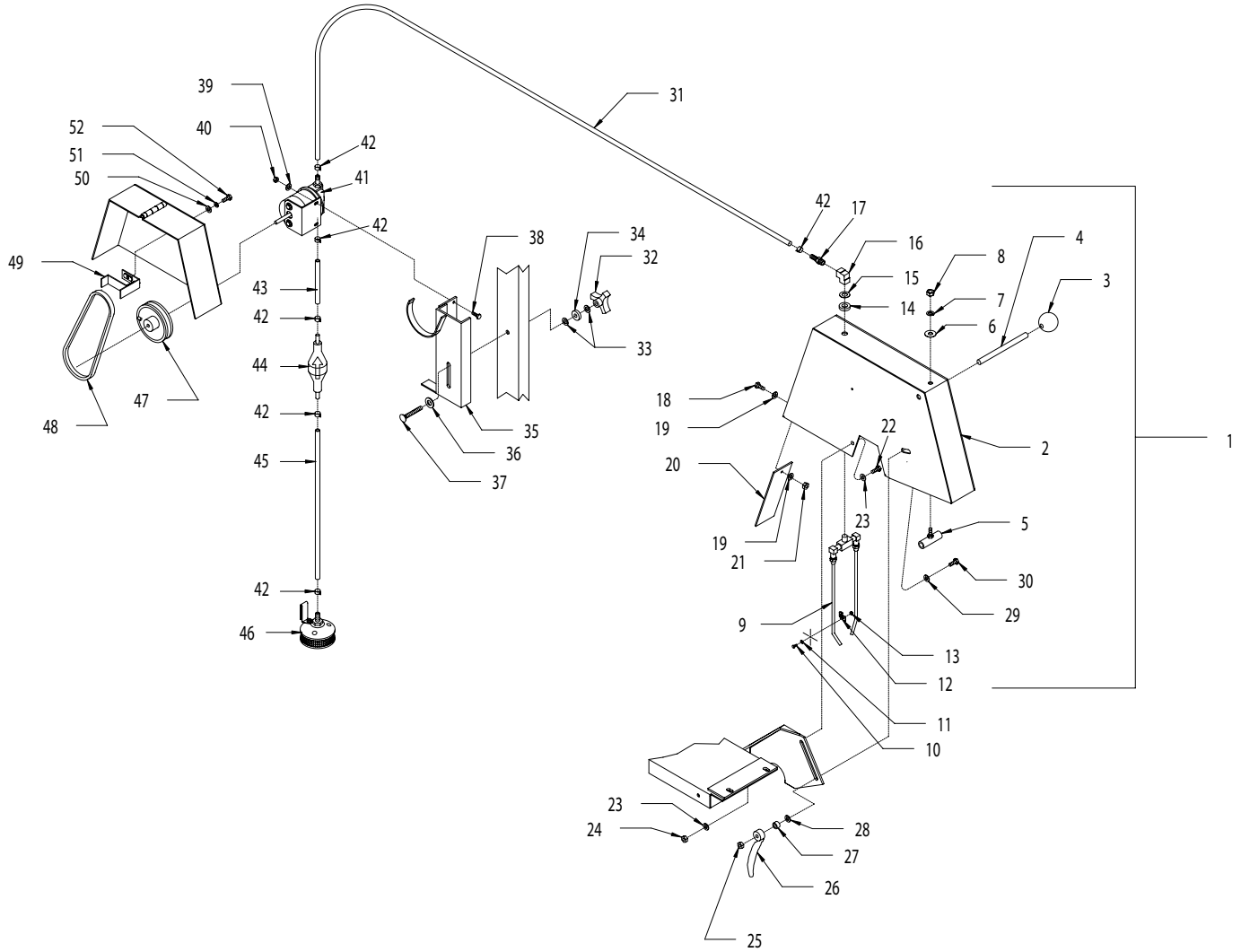
**ILLUSTRATION 2 : FOOT PEDAL & LINKAGE GROUPING**



PARTS LISTING - ILLUSTRATION 2 : FOOT PEDAL & LINKAGE GROUPING			
ITEM#	PART#	DESCRIPTION	QTY.
1	41121	TREADLE (FOOT PEDAL)	1
2	41132	TREAD, ABRASIVE, FOOT PEDAL	1
3	10346	SCREW, SKT. HD. CAP 1/2-13x4-1/2 ZINC	1
4	41012	HANDWHEEL, SMALL w/ 5/8-8x15" ROD	1
5	10104	KNOB, BALL 1-7/8 w/ 1/2-13 THD, BLK.	1
6	80009	BEARING, BALL 5/8" 2-HOLE FLANGE	1
7	55010	SPACER, HANDWHEEL 5/8"IDx3/4"L	1
8	10096	COLLAR, LOCKING 5/8"ID	1
9	10412	BOLT, CARRIAGE 1/4-20x1	2
10	10602	WASHER, FLAT 1/4	2
11	10861	NUT, KEPS 1/4-20	2
12	41060	BEARING, BALL 1" 2-HOLE SHEET METAL	4
13	10819	BOLT, CARRIAGE 5/16-18x1	8
14	10054	NUT 5/16-18	16
15	10801	WASHER, LOCK 5/16	8
16	61066	PIN, HAIR COTTER 1/2" (.125x1-3/4)	2
17	41044	PIN, FOOT PEDAL SPRING, 1/2x5-1/4	1
18	10312	WASHER, FLAT 1/2	8
19	41045	SPACER 3/4"ODx1/2"IDx5/8"L	2
20	41014	LINKAGE, PIVOT	1
21	10312	WASHER, FLAT 1/2	12
22	10409	SCREW, CAP 1/2-20x4-1/2	2
23	10205	NUT, LOCK 1/2-20	2
24	41015	LINKAGE, CONNECTING	2
25	41013	LINKAGE, CUT CONTROL	1
26	10322	SCREW, CAP 1/2-20x2	1
27	10205	NUT, LOCK 1/2-20	1
28	41122	TREADLE, TRANSFER ARM	1
29	10329	SCREW, CAP 1/2-20x6	1
30	10312	WASHER, FLAT 1/2	6
31	41045	SPACER 3/4" ODx1/2" IDx5/8"L	2
32	10154	NUT, HEX NYLON LOCK 1/2-20	1
33	41041	SPRING, EXT. 1.75" OD x 8"L	2
34	10308	SCREW, CAP 1/2-20x1-1/2	1
35	10205	NUT, LOCK 1/2-20	1
36	41019	CLEVIS, LINKAGE	1
37	10046	NUT 5/8-11	1
38	41018	LINKAGE, DRAG	1
39	10322	SCREW, CAP 1/2-20x2	1
40	10205	NUT, LOCK 1/2-20	1



**ILLUSTRATION 3 : WATER PUMP & BLADE GUARD GROUPING**

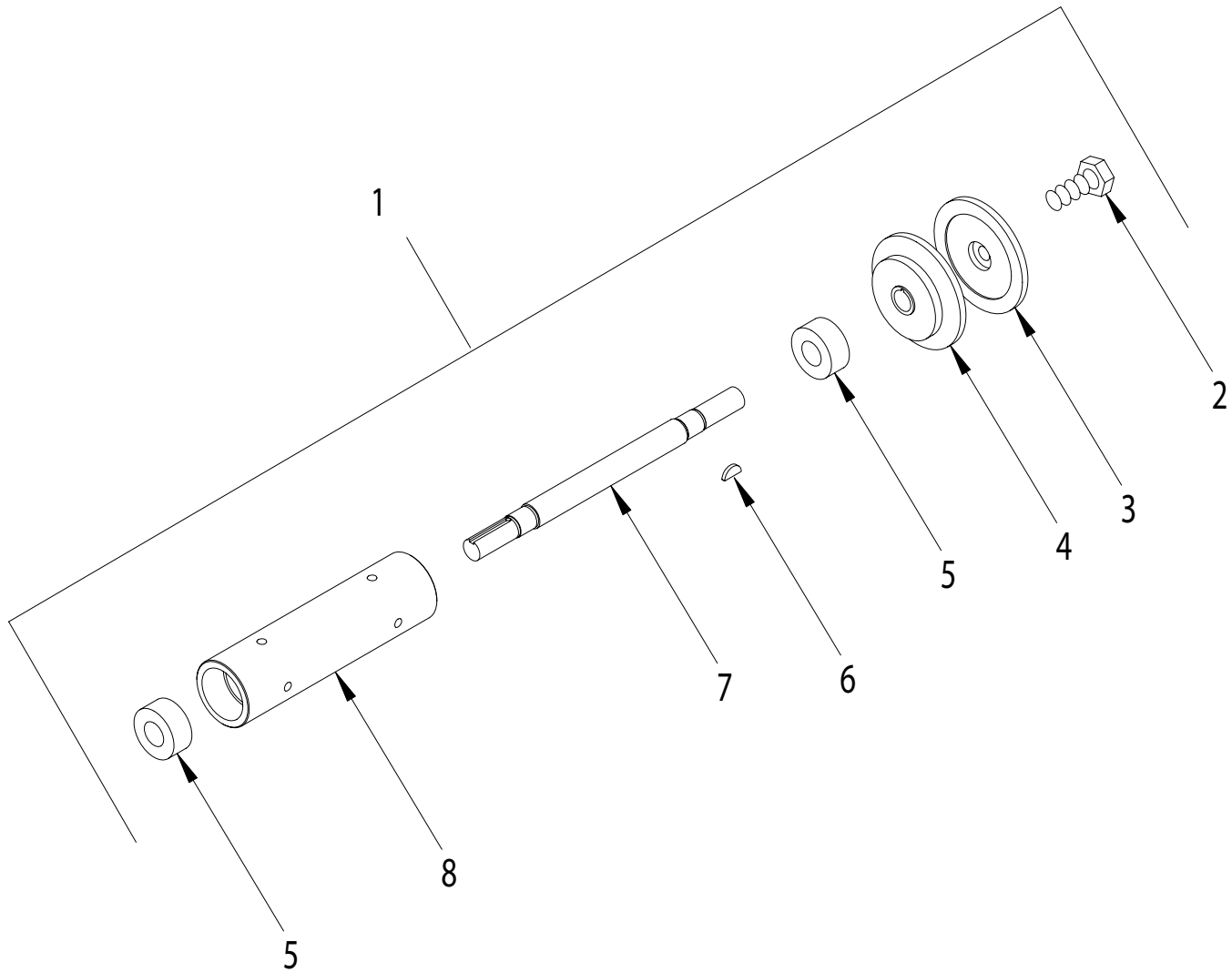




PARTS LISTING - ILLUSTRATION 3 : WATER PUMP & BLADE GUARD GROUPING			
ITEM#	PART#	DESCRIPTION	QTY.
1	41026G	GUARD SUBASSY., BLADE 20" (INCLUDES ITEMS 2-21)	1
2	41026	GUARD, BLADE 20"	1
3	10104	KNOB, BALL 1-7/8" DIA. W/ 1/2-13 THD., BLACK	1
4	41027	SHAFT, HANDLE	1
5	41028	LOCK, HANDLE	1
6	10025	WASHER, FLAT 3/8	1
7	10811	WASHER, LOCK 3/8	1
8	10404	NUT 3/8-16	1
9	41040	NOZZLE, COOLANT 1/4MPT W/ 10" TUBES	1
10	10830	SCREW, MACHINE 10-32x1/2	2
11	10831	WASHER, LOCK INT. TOOTH #10	2
12	61243	CLIP, COPPER 1/4"	2
13	10832	NUT 10-32	2
14	79035	BUSHING, RUBBER 1-1/16" OD x 5/8" ID	1
15	10040	WASHER, GARRET 17/32" ID x 1" OD x .054 THK	1
16	10707	ELBOW, FEMALE 1/4 NPT x 90 (BRASS)	1
17	50075	BARB 3/8 HOSE x 1/4 MPT	1
18	10018	SCREW, CAP 1/4-20x3/4	1
19	10602	WASHER, FLAT 1/4	2
20	41115	FLAP, SPLASH 2-1/2x8	1
21	10015	NUT, LOCK 1/4-20	1
22	10309	SCREW, CAP 3/8-24x1-1/4 PLATED	1
23	10025	WASHER, FLAT 3/8	2
24	10004	NUT, LOCK 3/8-24	1
25	10810	NUT, LOCK 3/8-16	1
26	40044	NUT, TAIL HANDLE 3/8-16	1
27	10011	SPACER, STEEL 5/8" OD x 3/8" ID x 3/8" THK	1
28	10025	WASHER, FLAT 3/8	1
29	10040	WASHER, GARRET 17/32" ID x 1" OD x .054 THK	1
30	10364	BOLT, CARRIAGE 3/8-16x2 FULL THD.	1
31	41046	HOSE 5/16" ID x 28" L	1
32	80011	KNOB, 3-PRONG W/ 3/8-16 THD.	1
33	10025	WASHER, FLAT 3/8	2
34	56018	BUSHING, RUBBER 1" OD x 3/8" ID x 1/4" THK.	1
35	41034	MOUNT, WATER PUMP	1
36	10040	WASHER, GARRET 17/32" ID x 1" OD x .054 THK	1
37	10909	BOLT, CARRIAGE 3/8-16x3 FULL THD.	1
38	10018	SCREW, CAP 1/4-20x3/4	2
39	10602	WASHER, FLAT 1/4	2
40	10861	NUT, KEPS 1/4-20	2
41	40393	PUMP ASSEMBLY, FLOJET <b>SELECT HERE FOR BREAKDOWN</b>	1
42	10763	CLAMP, HOSE SPRING-TYPE 7/16" RED	6
43	40368	HOSE 5/16" ID x 7" L	1
44	40049	BULB, PRIMER 5/16"	1
45	41047	HOSE 5/16" ID x 16" L	1
46	40690	FILTER ASSY., WATER <b>SELECT HERE FOR BREAKDOWN</b>	1
47	40392	SHEAVE 4" OD x 1 GR.A x 5/16" BORE	1
48	10259	BELT AP-29	1
49	41054	RETAINER, WATER PUMP BELT	1
50	10602	WASHER, FLAT 1/4	1
51	10038	WASHER, LOCK 1/4	1
52	10018	SCREW, CAP 1/4-20x3/4	1

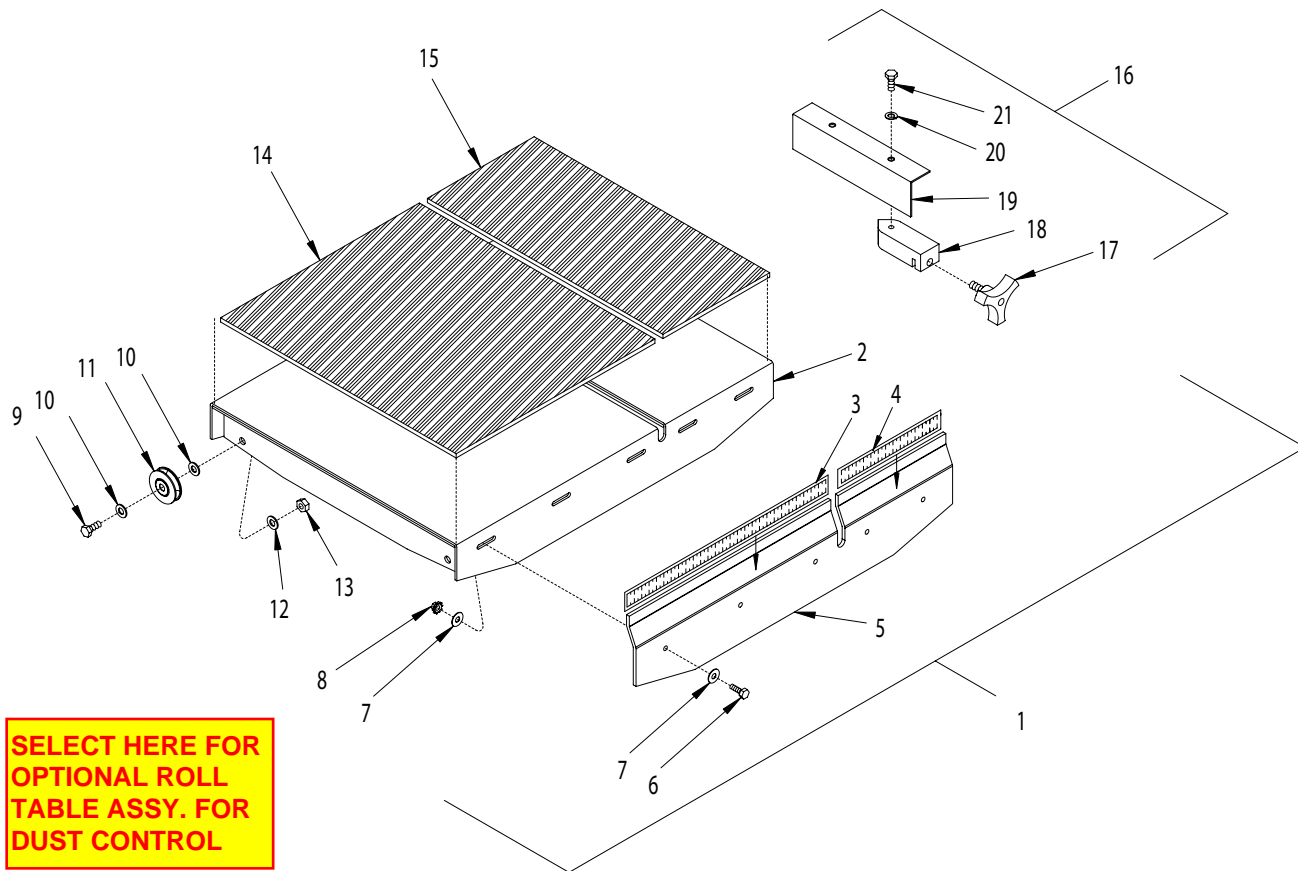


**ILLUSTRATION 4 : ARBOR ASSEMBLY GROUPING**



ITEM #	PART#	DESCRIPTION	QTY.
1	41113	ARBORASSEMBLY COMPLETE (ITEMS 2-8)	1
2	10321	SCREW, CAP 1/2-20x1-1/4	1
3	40023	ARBOR, BLADE RETAINING CAP 4"	1
4	40022	ARBOR, BACKING PLATE 4"	1
5	40018	BEARING, RADIAL BALL 20x47x20.6mm	2
6	40036	KEY, WOODRUFF 1/8 x 3/8 (#403)	1
7	41025	ARBOR SHAFT 11-1/4"L	1
8	41024	ARBOR HOUSING	1

**ILLUSTRATION 5 : ROLLING TABLE ASSEMBLY GROUPING**

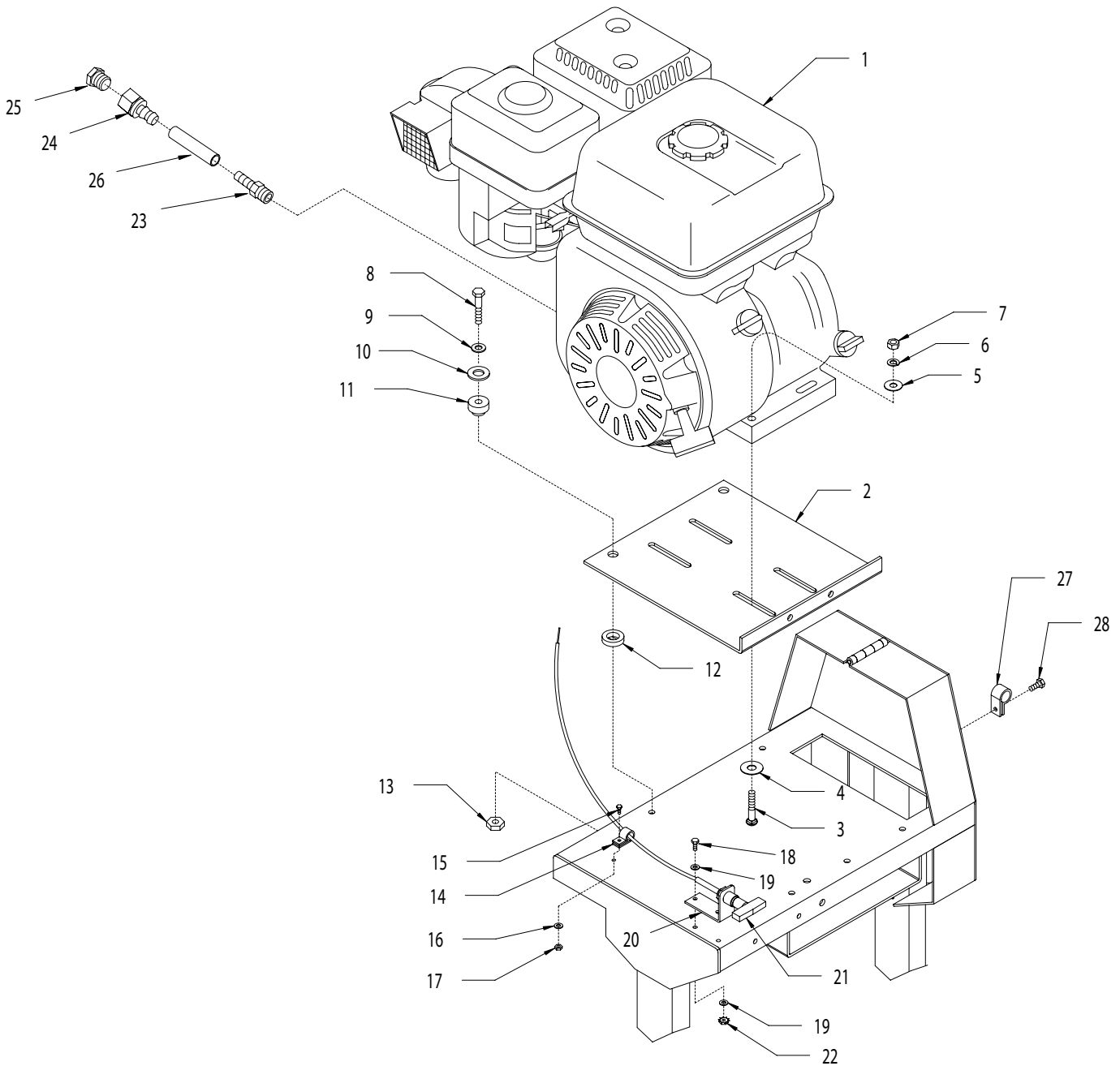


**SELECT HERE FOR  
OPTIONAL ROLL  
TABLE ASSY. FOR  
DUST CONTROL**

ITEM #	PART #	DESCRIPTION	QTY.
1	41101	TABLE COMPLETE, ROLLING (ITEMS 2-21)	1
2	41102	TABLE, ROLLING	1
3	40423	RULE, ADHESIVE BACKED, 1-13, R-L	1
4	40424	RULE, ADHESIVE BACKED, 1-7, L-R	1
5	41103	FRONT PANEL, ROLL TABLE	1
6	10018	SCREW, CAP 1/4-20X3/4	5
7	10602	WASHER, FLAT 1/4	10
8	10861	NUT, KEPS 1/4-20	5
9		SCREW, CAP	
	10309	3/8-24X1-1/4	2
	10816	3/8-24X1-1/2	2
10	10025	WASHER, FLAT 3/8	AS REQ'D.
11	3621	PULLEY BEARING 1-3/4DIA. X 3/8BORE (TRACK WHEEL)	4
12	10811	WASHER, LOCK 3/8	4
13	10014	NUT 3/8-24	4
14	41006	PAD 16X13-1/2	1
15	41007	PAD 16X7-1/4	1
16	41140	GUIDE SUBASSEMBLY, CUT	1
17	40425	KNOB, 3-PRONG W/ 3/8-16X5/8 STUD	1
18	42015	BLOCK, CUT GUIDE	1
19	41104	BRACKET, CUT GUIDE	1
20	10801	WASHER, LOCK 5/16	1
21	10053	SCREW, CAP 5/16-18X3/4	1



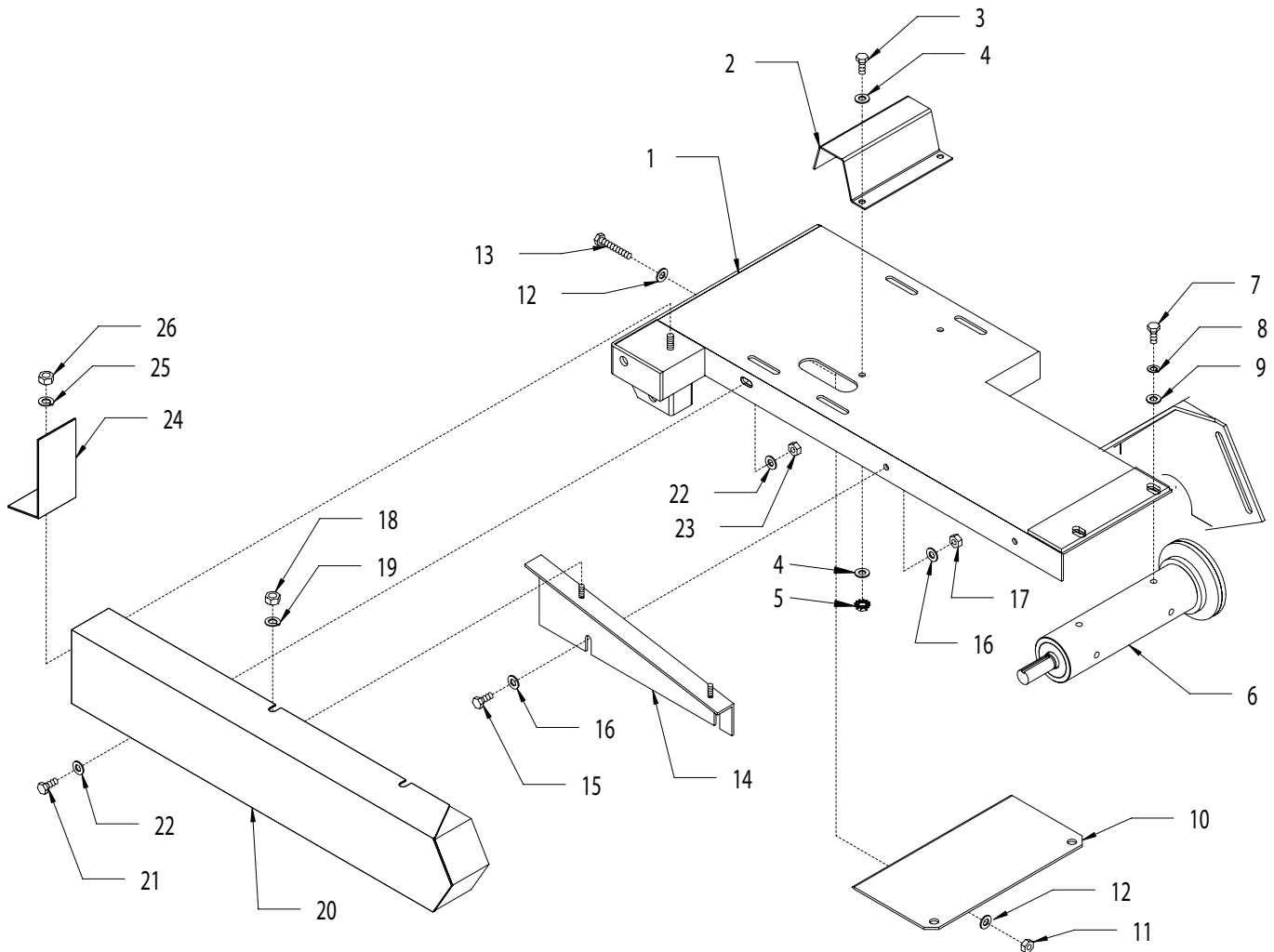
**ILLUSTRATION 6 : ENGINE GROUPING**



PARTS LISTING - ILLUSTRATION 6 : ENGINE GROUPING			
ITEM#	PART#	DESCRIPTION	QTY.
1		ENGINE, HONDA	1
	79045	11 HP GX340K1-QXC9	
	15027	9 HP GX270-QXC9	
2		MOUNT, ENGINE	1
	41035	11 HP HONDA	
	41049	9 HP HONDA	
3	10364	BOLT, CARRIAGE 3/8-16x2 FULL THD.	4
4	10040	WASHER, GARRET 17/32" ID x1"ODx.054THK	4
5	10025	WASHER, FLAT 3/8	4
6	10811	WASHER, LOCK 3/8	4
7	10404	NUT 3/8-16	4
8	10342	SCREW, CAP 5/16-18x1-1/2	4
9	10213	WASHER, FLAT 5/16	4
10	10312	WASHER, FLAT 1/2	4
11	10225	BUSHING, RUBBER ENGINE MOUNT	4
12	79035	BUSHING, RUBBER 1-1/16"OD x 5/8" ID x 1/4" THK.	4
13	10807	NUT, LOCK 5/16-18	4
14	10941	CLIP, CONDUIT, THROTTLE CABLE	1
15	10830	SCREW, MACHINE 10-32x1/2	1
16	10831	WASHER, LOCK, INT. TOOTH #10	1
17	10832	NUT 10-32	1
18	10018	SCREW, CAP 1/4-20x3/4	2
19	10602	WASHER, FLAT 1/4	4
20	64075	MOUNT BRACKET, THROTTLE CABLE	1
21	51081	CABLE, TURN-TO-LOCK CONTROL 72"	1
22	10861	NUT, KEPS 1/4-20	2
23	11542	BARB, PUSH-ON 3/8" HOSE x 12MM x 1.50 MALE	1
24	11544	BARB, PUSH-ON 3/8" HOSE x 1/4 FPT	1
25	10776	PIPE PLUG 1/4 NPT (BRASS)	1
26	56116	HOSE, PUSH-ON 3/8"ID x 3"L	1
27	11565	CLAMP, LOOM 5/8" (SAE SIZE 10)	1
28	10877	SCREW, CAP STSHW 10-24x1/2	1



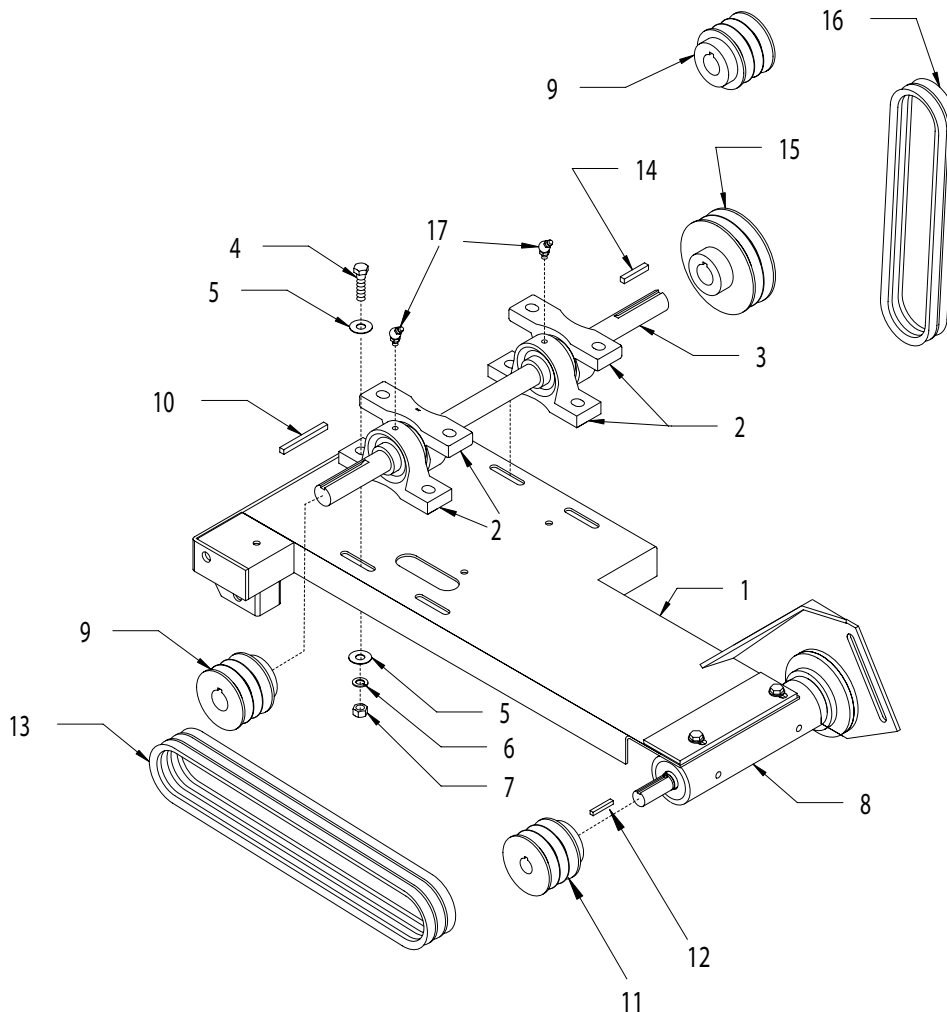
**ILLUSTRATION 7 : ARBOR DECK & BELT COVER GROUPING**



ITEM#	PART#	DESCRIPTION	QTY.	ITEM#	PART#	DESCRIPTION	QTY.
1	41022	DECK, ARBOR	1	14	41030	BRACKET, BELT COVER	1
2	41032	GUARD, JACK SHAFT	1	15	10053	SCREW, CAP 5/16-18x3/4	2
3	10018	SCREW, CAP 1/4-20x3/4	2	16	10213	WASHER, FLAT 5/16	4
4	10602	WASHER, FLAT 1/4	4	17	10807	NUT, LOCK 5/16-18	2
5	10861	NUT, KEPS 1/4-20	2	18	10861	NUT, KEPS 1/4-20	2
6	41113	ARBOR ASSY. COMPLETE (SEE ILLUSTRATION 4 FOR A BREAKDOWN)	1	19	10602	WASHER, FLAT 1/4	2
7	10332	SCREW, CAP 5/16-24x1	4	20	41029	COVER, BELT	1
8	10801	WASHER, LOCK 5/16	4	21	10053	SCREW, CAP 5/16-18x3/4	1
9	10213	WASHER, FLAT 5/16	4	22	10213	WASHER, FLAT 5/16	2
10	41023	BRACKET, TENSION	1	23	10807	NUT, LOCK 5/16-18	1
11	10156	NUT, HEX NYLON LOCK 3/8-16	1	24	40354	COVER END CAP, BELT	1
12	10025	WASHER, FLAT 3/8	2	25	10213	WASHER, FLAT 5/16	1
13	28025	BOLT, TAP 3/8-16x3 ( FULL THD.)	1	26	10807	NUT, LOCK 5/16-18	1



**ILLUSTRATION 8 : BELT DRIVE GROUPING**



ITEM#	PART#	DESCRIPTION	QTY.
1	41022	ARBOR DECK	1
2	50016	BEARING, BALL 1" PILLOW BLOCK	4
3	41031	SHAFT, JACK 1" DIA. x 16-1/2" L	1
4	10029	SCREW, CAP 3/8-24x1-3/4	4
	10816	SCREW, CAP 3/8-24x1-1/2	4
5	10025	WASHER, FLAT 3/8	12
6	10811	WASHER, LOCK 3/8	8
7	10014	NUT 3/8-24	8
8	41113	ARBOR ASSY. COMPLETE	1
9	80027	SHEAVE 3" OD x 3 GR.A x 1" BORE	2
10	10071	KEY 1/4 SQ. x 2-1/2	1
11	81011M	SHEAVE 3"OD X 3GR.A X 3/4B MACH.HUB	1
12	10060	KEY 3/16 SQ X 1-1/4	1
13	10240	BELT AP-44	3
14	10301	KEY 1/4 SQ. x 1-1/2	1
15	10513	SHEAVE 4.5" OD x 2 GR.A x 1" BORE	1
16	10239	BELT AP-32	2
17	10960	FITTING, GREASE 1/4-28x45D	4



# LIMITED EQUIPMENT WARRANTY

Equipment Development Company, Inc. herein referred to as EDCO warrants that each new unit manufactured by EDCO to be free from defects in material and workmanship in normal use and service for a period of (1) one year (except in the case of the cutter drum assembly on all model concrete asphalt planes, in which case the warranty period shall be 90 days) from date of shipment to the original retail or equipment rental center owner.

EDCO will, at its option, repair or replace, at the EDCO factory or at a point designated by EDCO any part, which shall appear to the satisfaction of EDCO inspection to have been defective in material or workmanship.

This warranty, does not apply to failure occurring as a result of abuse, misuse, negligent repairs, corrosion, erosion, normal wear and tear, alterations or modifications made to the product without express written consent of EDCO: or failure to follow the recommended operating practices and maintenance procedures as provided in the products operating and maintenance manuals.

This warranty does not obligate EDCO to bear any transportation charges in connection with the replacement or repair of defective parts. This warranty does not obligate EDCO to bear any expense for travel time or of personnel in connection with any service calls.

Accessories or equipment furnished and installed on the product by EDCO but manufactured by others, including but not limited to engines, motors, electrical equipment, transmissions, etc., shall carry the accessory manufacturers' own warranty.

THIS WARRANTY IS IN LIEU OF ALL OTHER WARRANTIES, EXPRESSED OR IMPLIED, OR STATUTORY, INCLUDING ANY WARRANTIES OF MERCHANTABILITY OR OF FITNESS FOR A PARTICULAR PURPOSE.

## LIABILITY LIMITATIONS

The remedies of the user set forth under provisions of warranty outlined above are the exclusive and total liability of EDCO with the respect to their sale or the equipment and service furnished hereunder, in connection with the performance or breach thereof, or from the sale, delivery, installation, repair or technical direction covered by or furnished under the sale, whether based on contract, warranty, negligence, indemnity, strict liability, or otherwise shall not exceed the purchase price of the unit of equipment upon which such liability is based.

EDCO will not in any event be liable to the user, any successors in interest or any beneficiary or assignee relating to this sale for any consequential, incidental, indirect, special or punitive damages arising out of this sale or any breach thereof, or any defects on, or failure of, or malfunction of the equipment under this sale based upon loss of use, lost profits or revenue, interest, lost goodwill, work stoppage, impairment of other goods, loss by reason of shutdown or non-operation, increased expenses of operation of the equipment, cost of purchase or replacement power of claims of users or customers of the user for service interruption whether or not such loss or damage is based on contract, warranty, negligence, indemnity, strict liability, or otherwise.

EDCO reserves the right to modify, alter and improve any part or parts without incurring any obligation to replace any part or parts previously sold without such modified, altered or improved part or parts.

No person is authorized to give any other warranty or to assume any additional obligation on EDCO's behalf unless made in writing and signed by an officer of EDCO.

Equipment Development Company, Inc.

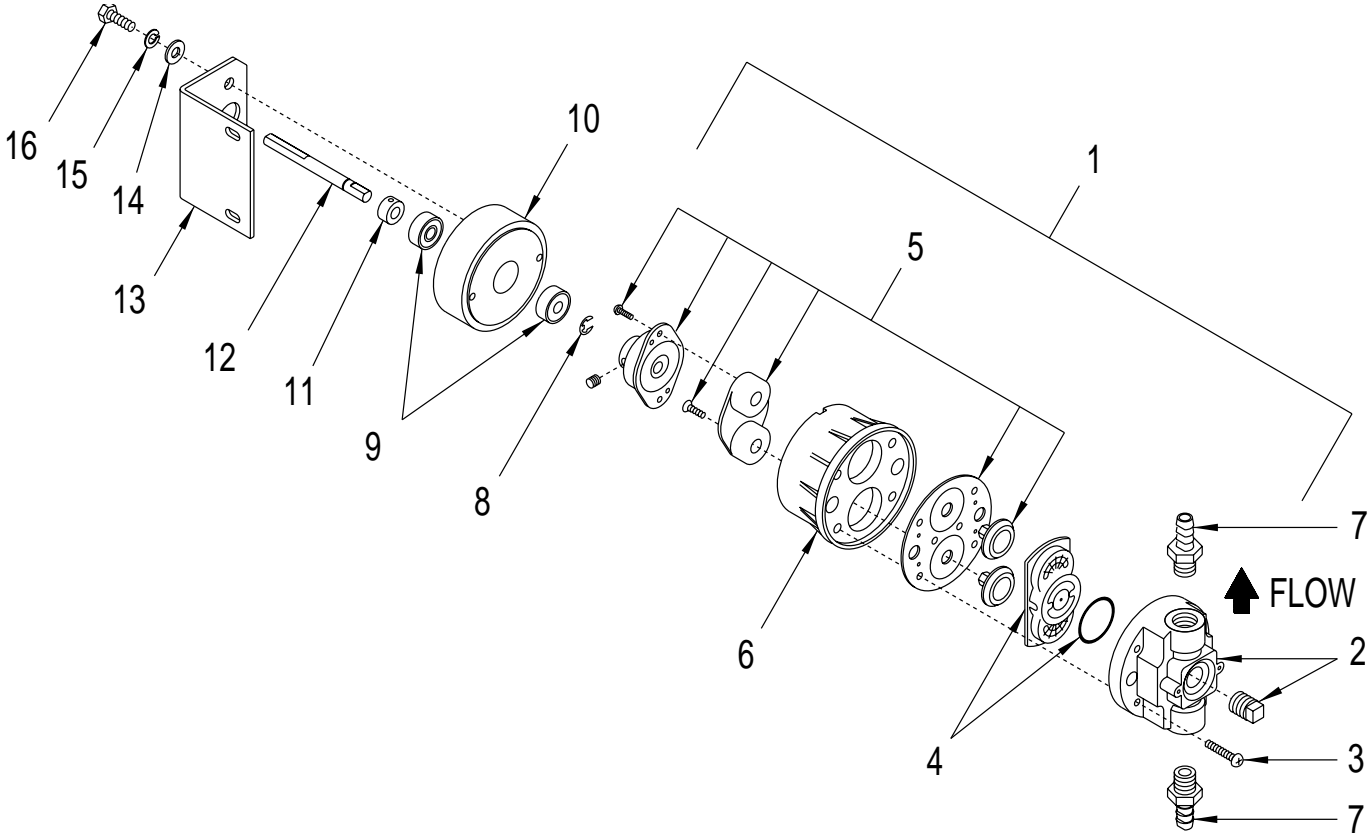
## USE ONLY GENUINE EDCO PARTS AND ACCESSORIES

For your own safety, the safety of others and the life of your machine





**WATER PUMP ASSEMBLY**  
**PART # 40393**  
 FOR MODELS GMS-14 & GMS-20



ITEM #	PART #	DESCRIPTION	QTY.
1	56101-S1	PUMP HEAD REPLACEMENT, DUPLEX 21050-653A (INCLUDES ITEMS 2 THRU 7)	1
2	56101-S2	HOUSING BODY 20500-507	1
3	56101-S3	SCREWS 20131-001 (SET OF 6)	1-SET
4	56101-S4	CHECK VALVE KIT 20028-008	1
5	56101-S5	DIAPHRAGM KIT W/ BEARING 21004-401	1
6	56101-S6	HOUSING BEARING COVER 20428-100	1
7	40319	BARB, 5/16 HOSE x 3/8 MPT (PLASTIC)	2
8	10137	RETAINING RING, E-CLIP 5/16"	1
9	40391	BEARING, RADIAL BALL 5/16 x 7/8 x 11/32	2
10	40393-S1	HUB	1
11	10415	COLLAR, LOCKING 5/16" I.D.	1
12	40393-S2	SHAFT 5/16 x 3-3/4	1
13	40393-S3	MOUNT BRACKET	1
14	10602	WASHER, FLAT 1/4	2
15	10038	WASHER, LOCK 1/4	2
16	10018	SCREW, CAP 1/4-20x3/4	2

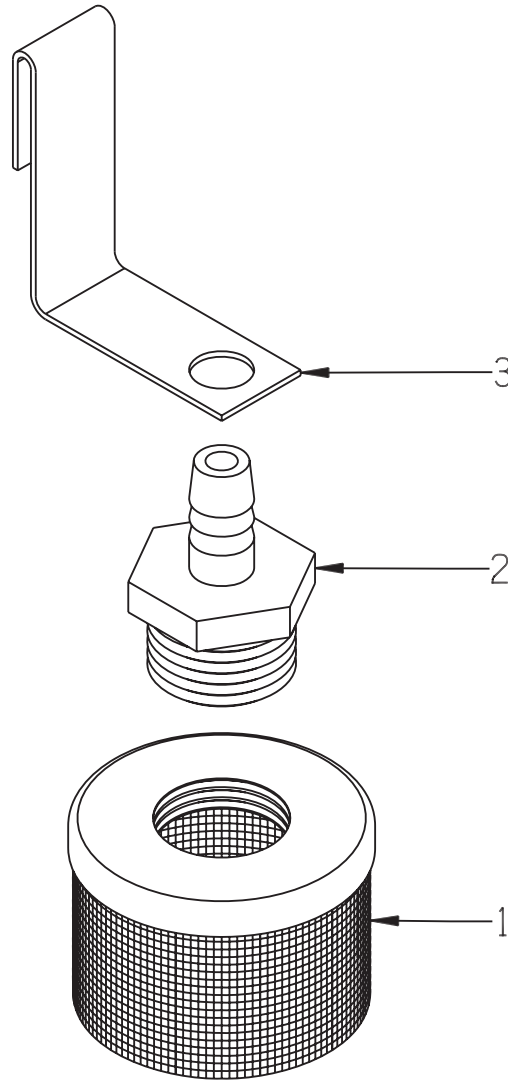
100 Thomas Johnson Drive, Frederick, MD 21702-4600 USA  
 Phone (301) 663-1600 • 1-800-638-3326  
 Fax (301) 663-1607 • 1-800-447-3326  
 Website: www.edcoinc.com • Email: sales@edcoinc.com

Printed in USA  
 ©2002



# WATER FILTER ASSEMBLY FOR GASOLINE POWERED MASONRY SAWS

## PART # 40690



ITEM #	PART #	DESCRIPTION	QTY.
1	40691	FILTER BASKET 3/4NPT, 16 MESH S.S.	1
2	40692	BARB, 3/8HOSE X 3/4NPT (NYLON)	1
3	40693	CLIP, FILTER HANGER (S.S.)	1



A Division of Equipment Development Company, Inc.

100 Thomas Johnson Drive, Frederick, MD 21702-4600 USA

Phone (301) 663-1600 • 1-800-638-3326

Fax (301) 663-1607 • 1-800-447-3326

Website: [www.edcoinc.com](http://www.edcoinc.com)

Email: [sales@edcoinc.com](mailto:sales@edcoinc.com)

Printed in USA

©2009

**3/4" HEX, ARBOR WRENCH KIT - PART NO. 53021K**

Can be used on all EDCO MASONRY or  
HARDSCAPE saws except model GMS-10

Use on Model:

MS-14  
GMS-14  
GMS-14A  
HSS-14  
MS-20  
GMS-20

3/4" HEX  
Arbor Wrench  
P/N 53021



Wrench Bracket  
P/N 53029



1/4-20 x 1/2"  
Self-Tapping Screws  
P/N 10846

Tools Required:  
7/32" HSS Drill Bit and Drill  
3/8" Nut Driver or Socket w/ratchet  
Hammer and center punch



# NEW STYLE DUST CONTROL SYSTEM FOR EDCO 20" MASONRY SAWS

STARTING SERIAL # 051110064

## PARTS LIST



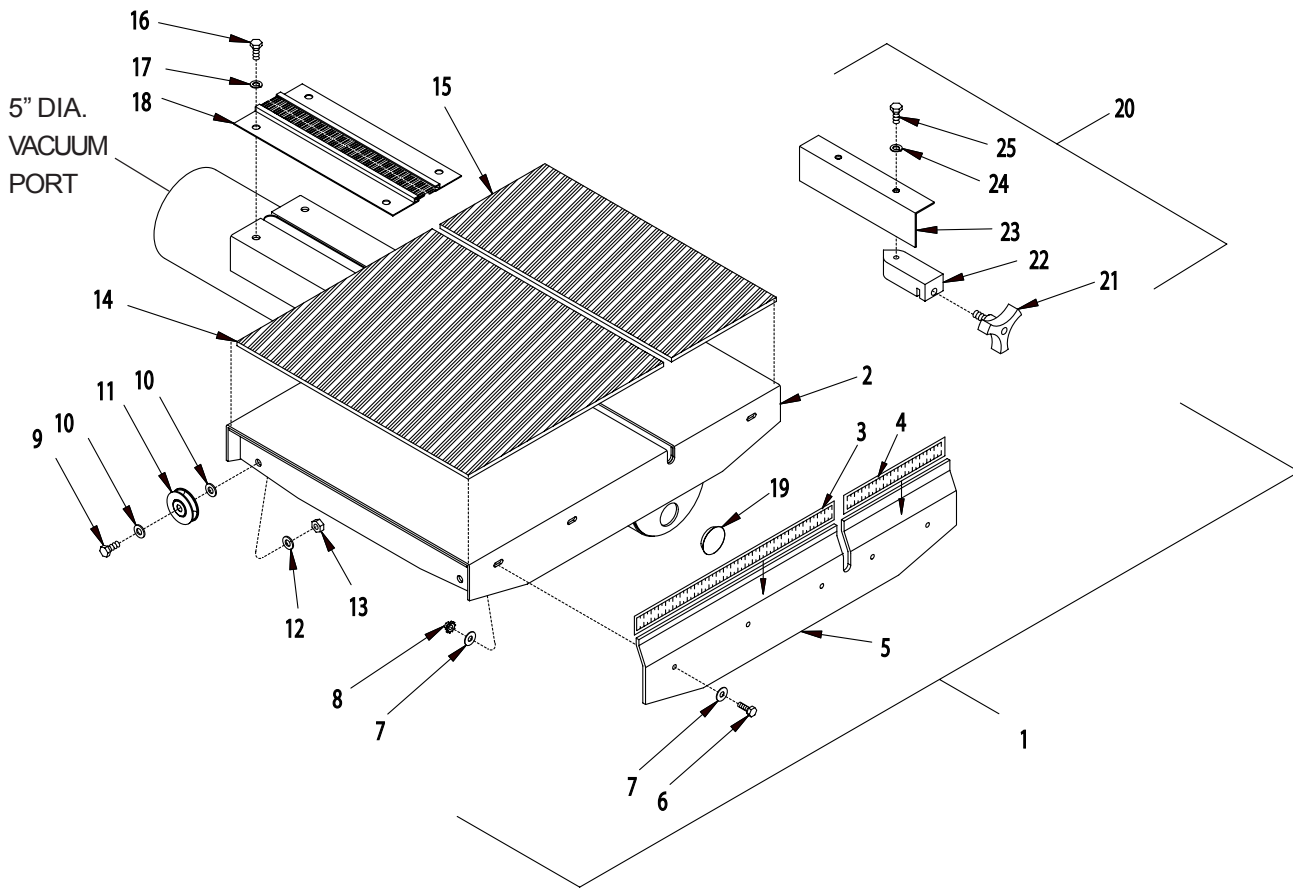
MODEL GMS-20 SHOWN WITH  
NEW EDCO SPIRAL DRY VAC  
(GASOLINE & ELECTRIC SYSTEMS ARE AVAILABLE)



100 Thomas Johnson Drive, Frederick, MD 21702-4600 USA  
Phone (301) 663-1600 • 1-800-638-3326  
Fax (301) 663-1607 • 1-800-447-3326  
Website: [www.edcoinc.com](http://www.edcoinc.com) • Email: [sales@edcoinc.com](mailto:sales@edcoinc.com)

Printed in USA  
©2005

**ILLUSTRATION 1: ROLL TABLE ASSY. FOR DUST CONTROL**  
**PART # 41160**



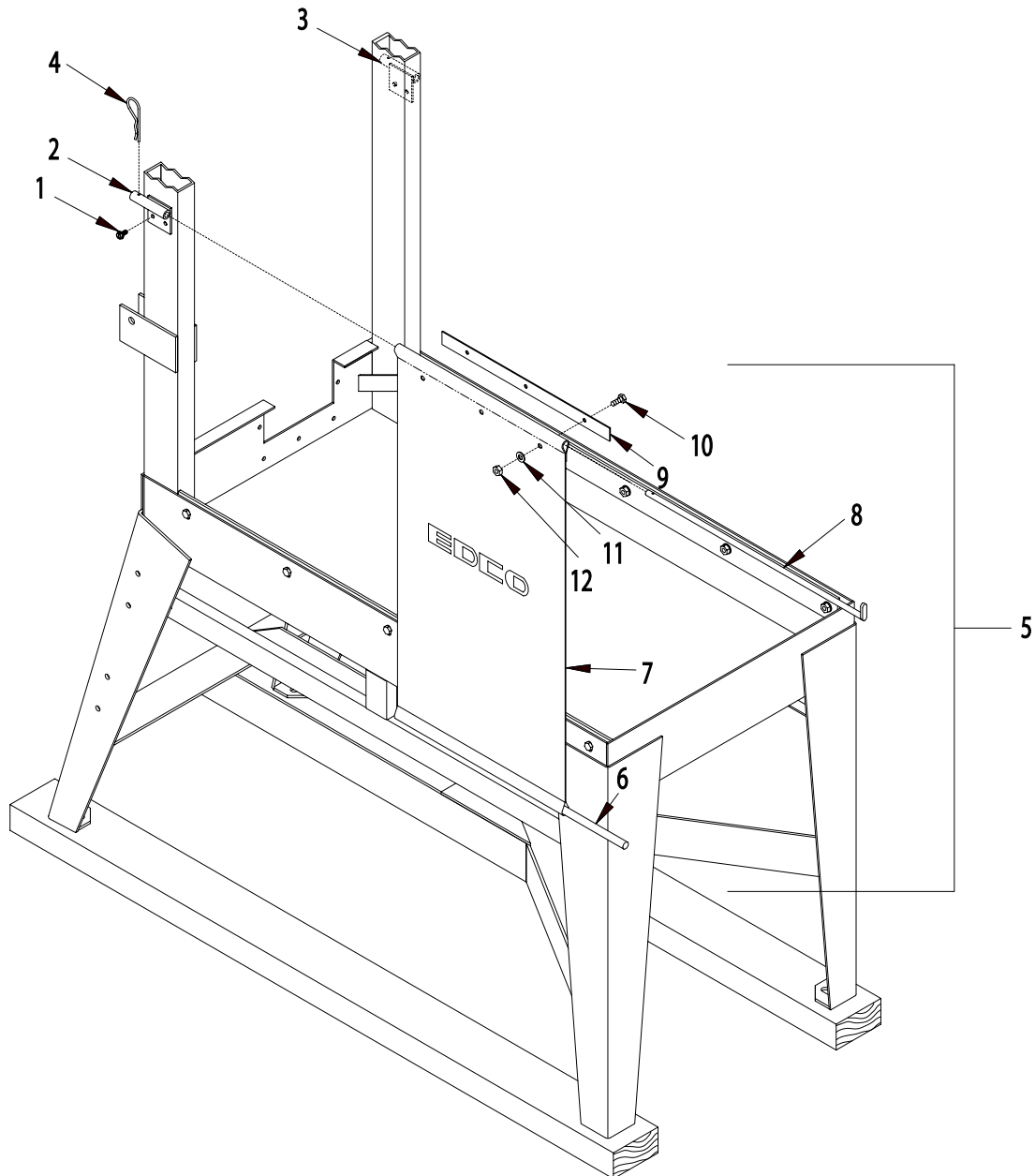
ITEM#	PART#	DESCRIPTION	QTY.
1	41160	TABLE ASSY., DUST CONTROL (INCLUDES ITEMS 2-25)	1
2	41161	TABLE ONLY, DUST CONTROL	1
3	40423	RULE, ADHESIVE-BACKED, 1-13, R-L	1
4	40424	RULE, ADHESIVE-BACKED, 1-7, L-R	1
5	41103	FRONT PANEL, ROLL TABLE	1
6	10018	SCREW, CAP 1/4-20 X 3/4	3
7	10602	WASHER, FLAT 1/4 SAE	6
8	10861	NUT, KEPS 1/4-20	3
9	10309	SCREW, CAP 3/8-24 X 1-1/4	2
	10816	SCREW, CAP 3/8-24 X 1-1/2	2
10	10025	WASHER, FLAT 3/8 SAE	AS REQ'D.
11	3621	PULLEY BEARING 1-3/4 DIA. X 3/8 BORE	4
12	10811	WASHER, LOCK 3/8	4
13	10004	NUT, LOCK 3/8-24	4
14	41006	PAD 16 X 13-1/2	1
15	41007	PAD 16 X 7-1/4	1
16	10834	SCREW, CAP 1/4-20 X 1/2	4
17	10038	WASHER, LOCK 1/4	4
18	41162	BRUSH SEAL, ROLL TABLE	2
19	28138	PLUG, HOLE 1-1/4"	1
20	41140	GUIDE SUBASSEMBLY, CUT (INCLUDES ITEMS 21-25)	1
21	40425	KNOB, 3-PRONG W/ 3/8-16 X 5/8 STUD	1
22	42015	BLOCK, CUT GUIDE	1
23	41104	BRACKET, CUT GUIDE	1
24	10801	WASHER, LOCK 5/16	1
25	10053	SCREW, CAP 5/16-18 X 3/4	1

**NOTES:**

- 1.) TO USE THIS STYLE ROLL TABLE, THE PAN ON THE MASONRY SAW MUST HAVE THE OPENING IN THE REAR TO ALLOW THE VACUUM PORT TO EXTEND OUT THE BACK. SEE ILLUS. 3.
- 2.) WHEN USING THIS STYLE ROLL TABLE, THE HEAD MUST BE LOCKED SO THE BOTTOM OF THE BLADE IS IN THE CHANNEL OPENING. DUST CONTROL WILL NOT BE EFFECTIVE WHEN CHOP CUTTING.



## ILLUSTRATION 2: CURTAIN KIT FOR DUST CONTROL PART # 41155



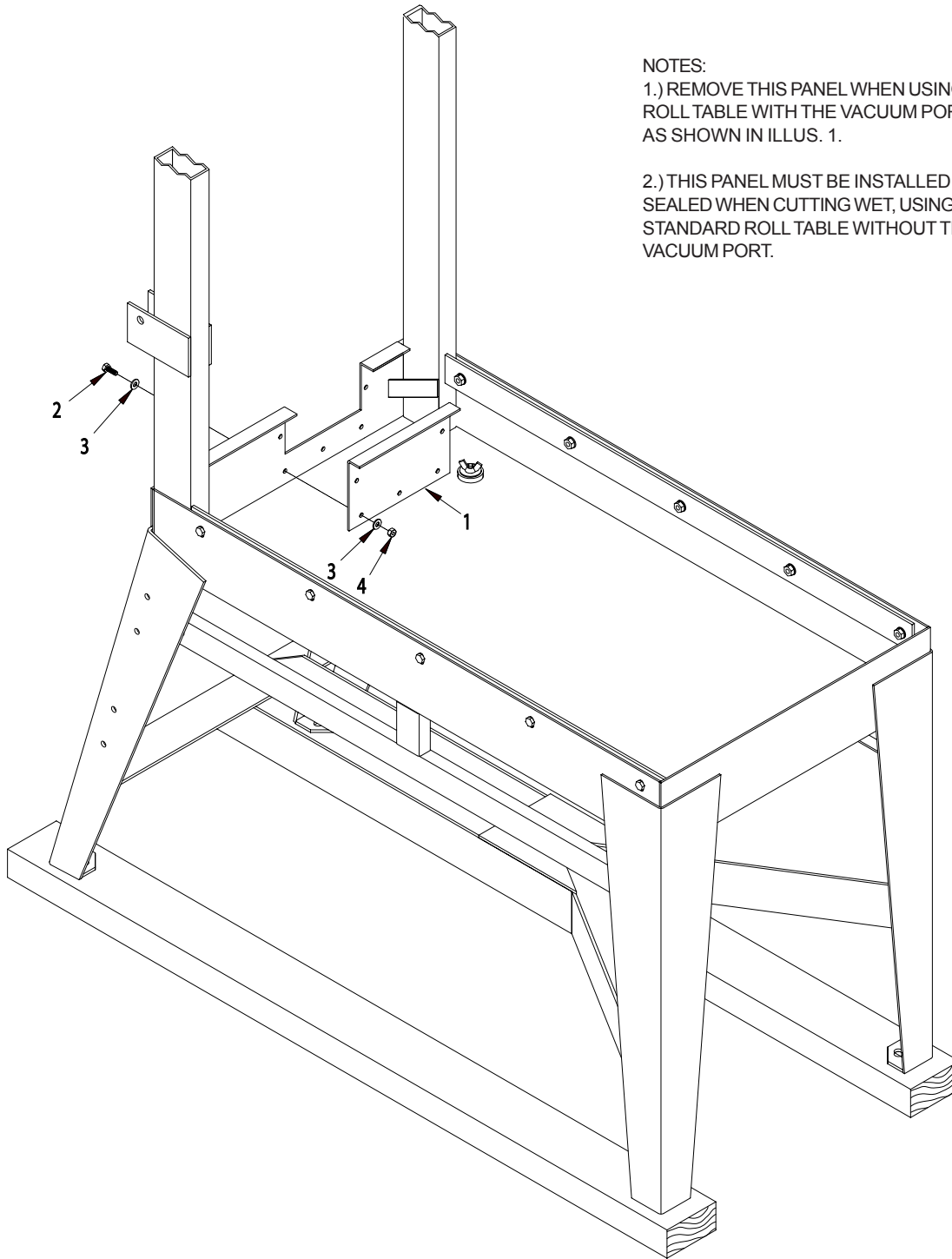
ITEM#	PART#	DESCRIPTION	QTY.
1	10846	SCREW, CAP STSHW 1/4-20 X 1/2	4
2	40323A	LEFT MOUNTING BRKT., CURTAIN ROD	1
3	40323B	RIGHT MOUNTING BRKT., CURTAIN ROD	1
4	61066	PIN, HAIR COTTER 1/2"(.125 X 1-3/4)	2
5	41152A	CURTAIN & ROD SUBASSY. (INCLUDES ITEMS 6-12)	2
6	40377	CURTAIN ROD 1/2"DIA. X 13"L	2
7	40375	CURTAIN 15" X 28" W/ LOGO	2
8	41152	ROD, CURTAIN, DUST CONTROL SYSTEM	2
9	41153	BRACKET, CURTAIN, DUST CONTROL SYSTEM	2
10	10018	SCREW, CAP 1/4-20 X 3/4	6
11	10602	WASHER, FLAT 1/4 SAE	6
12	10150	NUT, HEX NYLON LOCK 1/4-20	6



100 Thomas Johnson Drive, Frederick, MD 21702-4600 USA  
 Phone (301) 663-1600 • 1-800-638-3326  
 Fax (301) 663-1607 • 1-800-447-3326  
 Website: [www.edcoinc.com](http://www.edcoinc.com) • Email: [sales@edcoinc.com](mailto:sales@edcoinc.com)

Printed in USA  
 ©2005

**ILLUSTRATION 3: REAR CLOSE-OFF PANEL GROUPING**



NOTES:

1.) REMOVE THIS PANEL WHEN USING THE ROLL TABLE WITH THE VACUUM PORT AS SHOWN IN ILLUS. 1.

2.) THIS PANEL MUST BE INSTALLED AND SEALED WHEN CUTTING WET, USING THE STANDARD ROLL TABLE WITHOUT THE VACUUM PORT.

ITEM#	PART#	DESCRIPTION	QTY.
1	41159	PANEL, REAR CLOSE-OFF <i>USE SILICONE CAULKING AROUND PAN CUTOUT TO SEAL</i>	1
2	10018	SCREW, CAP 1/4-20 X 3/4	5
3	10602	WASHER, FLAT 1/4 SAE	5
4	10861	NUT, KEPS 1/4-20	5

## MODEL GMS-20 OPTIONAL CLUTCH KIT PART# 41055

**NOTE:**

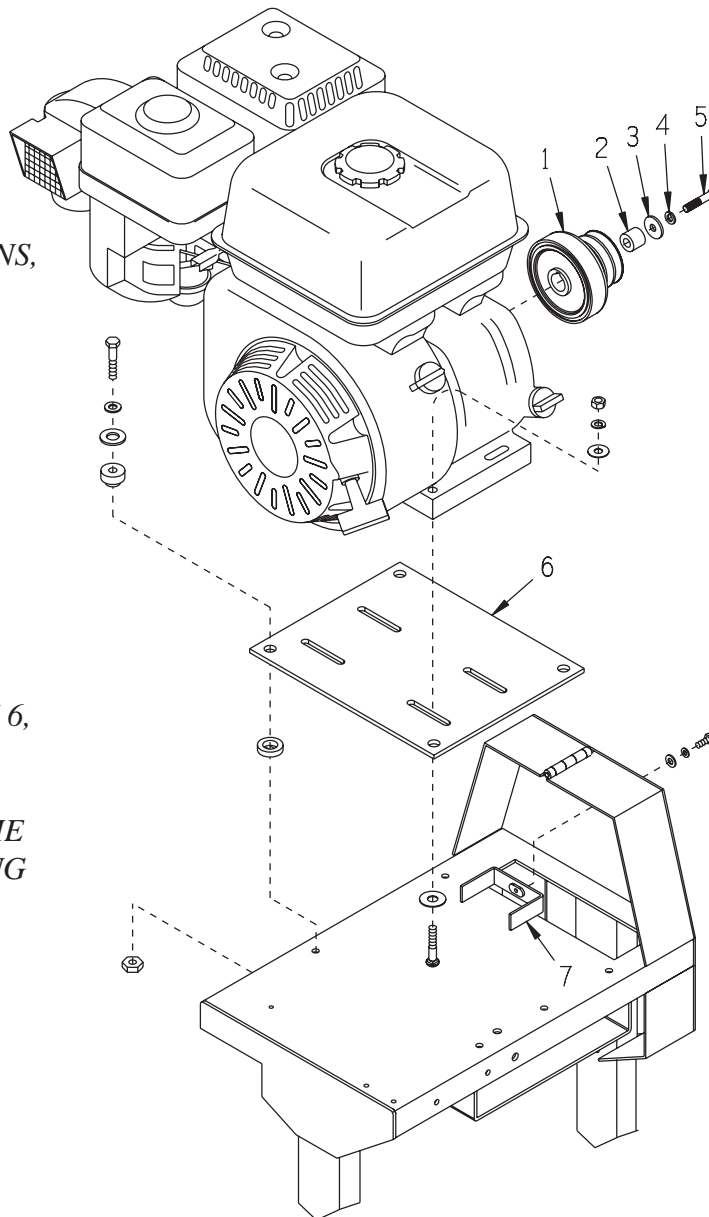
*THIS OPTIONAL CLUTCH KIT IS AVAILABLE ON 11 & 13 HP HONDA UNITS. FOLLOW THESE INSTRUCTIONS, ALONG WITH THE ILLUSTRATION TO THE RIGHT, TO UPGRADE THE MACHINE WITH THIS OPTION.*

*STEP 1: REMOVE ENGINE FROM MACHINE, THEN REMOVE THE PULLEY FROM ENGINE SHAFT. INSTALL ITEMS 1-5 ONTO THE ENGINE SHAFT.*

*STEP 2: REMOVE EXISTING ENGINE MOUNT AND REPLACE IT WITH ITEM 6, USING EXISTING HARDWARE.*

*STEP 3: REINSTALL ENGINE ONTO THE NEW ENGINE MOUNT USING EXISTING HARDWARE.*

*STEP 4: REMOVE EXISTING BELT RETAINER BRACKET AND REPLACE WITH ITEM 7, USING EXISTING HARDWARE.*



ITEM#	PART#	DESCRIPTION	QTY.
1	40335	CLUTCH, CENTRIFUGAL 3 X 3GR X 1	1
2	41056	SPACER 1"OD X 1/2"ID X 27/32"L	1
3	72006	WASHER, 1-1/4OD X 13/32ID X 1/8THK	1
4	10811	WASHER, LOCK 3/8	1
5	10030	SCREW, CAP 3/8-24 X 2	1
6	41057	MOUNT PLATE, ENGINE, GMS20 W/ CLUTCH	1
7	41058	RETAINER, BELT, GMS20 W/ CLUTCH	1