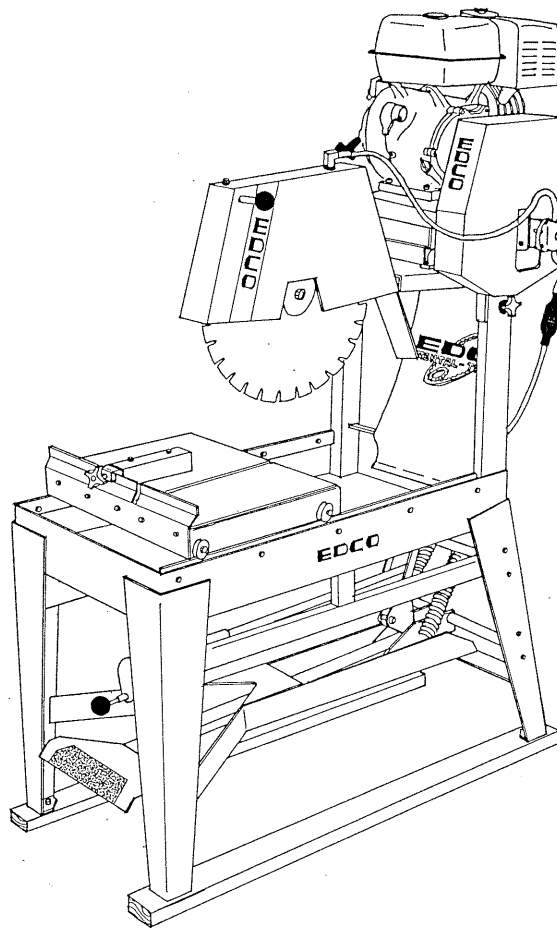


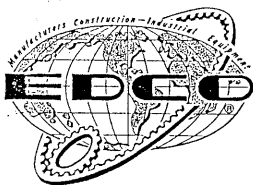
REVISED NOVEMBER 1, 1993

MASONRY SAW

PARTS LIST MANUAL



MODELS GMS-20 & MS-20(10 H.P.)



EQUIPMENT DEVELOPMENT COMPANY, INC.

100 THOMAS JOHNSON DRIVE, FREDERICK, MARYLAND 21702-4305 USA

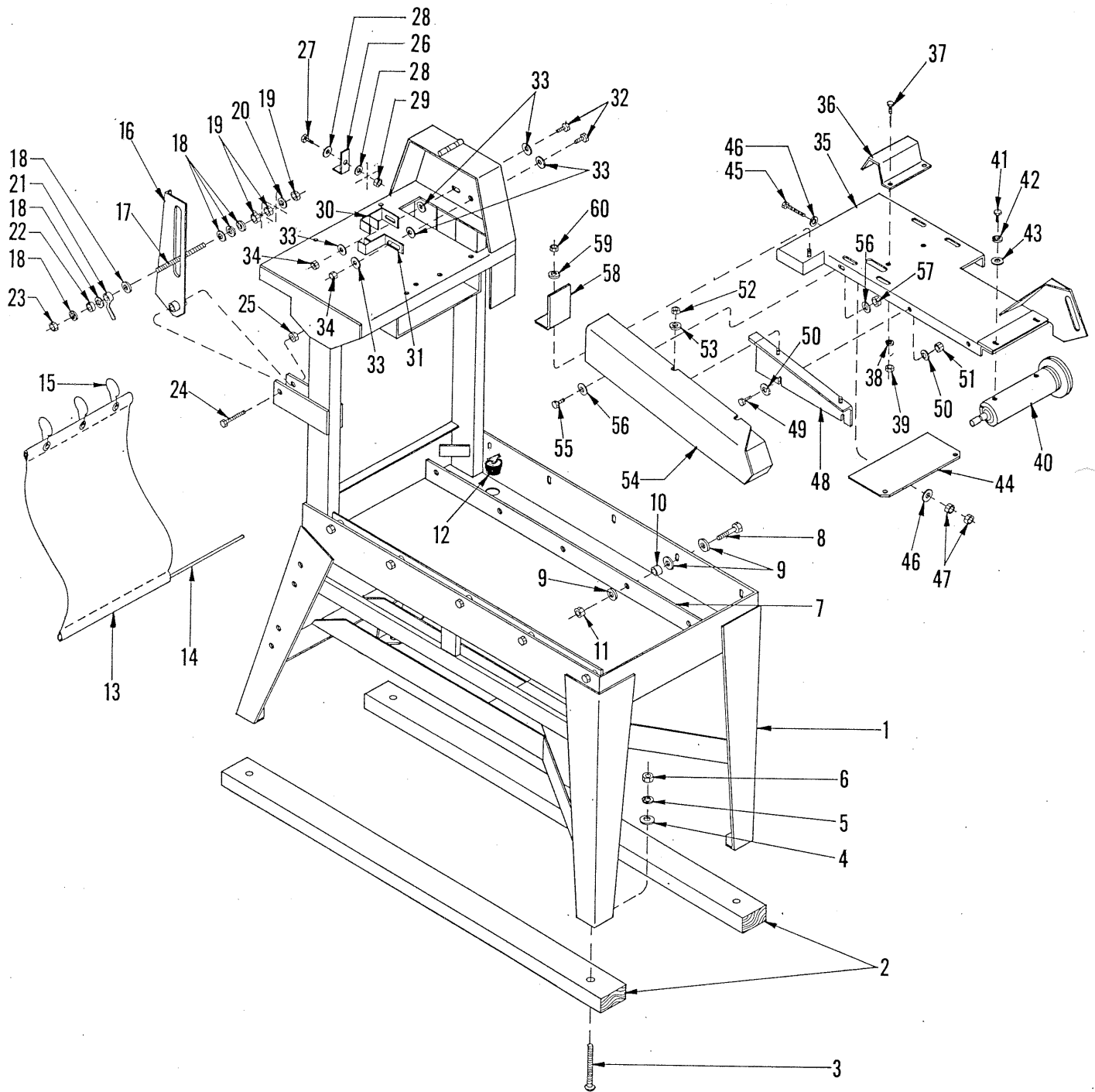
301-663-1600

TOLL FREE 1-800-638-3326

FAX 301-663-1607

PRINTED IN U.S.A.

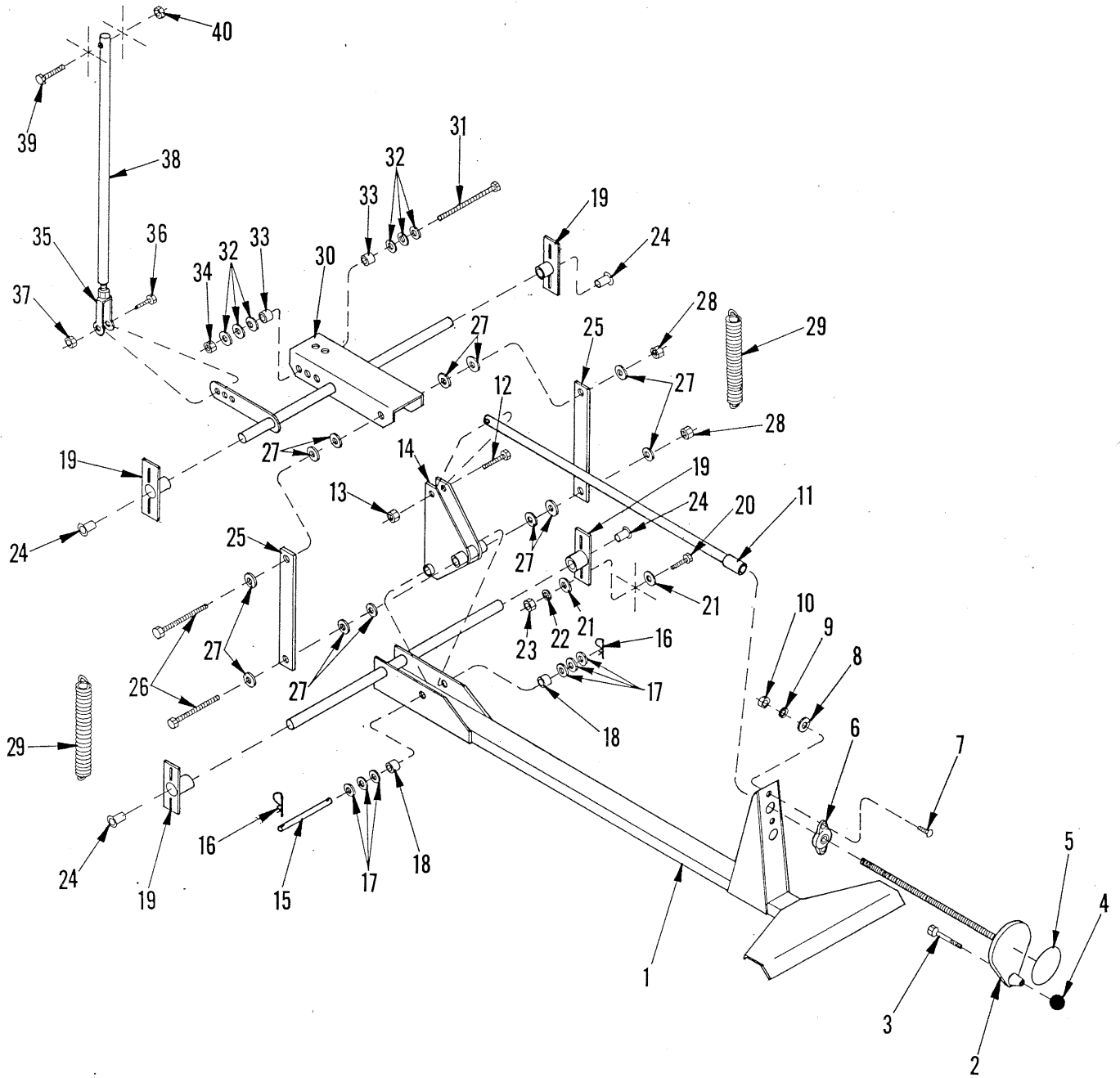
ILLUSTRATION 1: MAIN ASSEMBLY



PARTS LISTING - ILLUSTRATION 1: MAIN ASSEMBLY

Item #	Part #	Description	Qty.
1	41001	Stand, Pan, and Deck Assembly	1
2	41002	Skid 2 x 4 x 54	2
3	10908	Bolt, Carriage 3/8-16 x 2-1/2	4
4	10025	Washer, Flat 3/8	4
5	10811	Washer, Lock 3/8	4
6	10404	Nut 3/8-16	4
7	41003	Rail, Guide	2
8	10816	Screw, Cap 3/8-24 x 1-1/2	10
9	10025	Washer, Flat 3/8	30
10	10011	Spacer, 5/8"OD x 3/8"ID x 3/8	10
11	10004	Nut, Lock 3/8-24	10
12	40378	Stopper 1-1/2"	1
13	40375-20	Curtain W/ Logo 15 x 28	1
14	40377	Rod, Curtain 1/2 Dia. x 13	1
15	40376	Hook, Curtain	3
16	41021	Plate, Pivot Lock	1
17	41108	Rod, Allthread 1/2-13 x 7"L	1
18	10312	Washer, Flat 1/2	6
19	10417	Nut 1/2-13	3
20	10045	Washer, Lock 1/2	1
21	40358	Nut, Tail 1/2-13	1
22	79035	Bushing, Rubber 5/8"ID x 1/4"Thk.	1
23	10407	Nut, Lock 1/2-13	1
24	10343	Screw, Cap 1/2-20 x 2-1/2	1
25	10205	Nut, Lock 1/2-20	1
26	40048	Latch, Belt Cover	1
27	10053	Screw, Cap 5/16-18 x 3/4	1
28	10213	Washer, Flat 5/16	2
29	10807	Nut, Lock 5/16-18	1
30	41042	Bracket, Belt Stop	1
31	41043	Bracket, Belt Stop	1
32	10021	Screw, Cap 3/8-24 x 1	2
33	10025	Washer, Flat 3/8	6
34	10004	Nut, Lock 3/8-24	2
35	41022	Deck, Arbor	1
36	41032	Guard, Drive Jack Shaft	1
37	10018	Screw, Cap 1/4-20 x 3/4	2
38	10038	Washer, Lock 1/4	2
39	10013	Nut 1/4-20	2
40	41113	Arbor Assembly Complete (See Illus. 5 for Breakdown)	1
41	10332	Screw, Cap 5/16-24 x 1	2
42	10801	Washer, Lock 5/16	2
43	10213	Washer, Flat 5/16	2
44	41023	Bracket, Tension	1
45	52015	Bolt, Tap 3/8-16 x 3-1/2	1
46	10025	Washer, Flat 3/8	2
47	10404	Nut 3/8-16	2
48	41030	Bracket, Belt Cover	1
49	10053	Screw, Cap 5/16-18 x 3/4	2
50	10213	Washer, Flat 5/16	4
51	10807	Nut, Lock 5/16-18	2
52	10015	Nut, Lock 1/4-20	2
53	10602	Washer, Flat 1/4	2
54	41029	Cover, Belt	1
55	10053	Screw, Cap 5/16-18 x 3/4	1
56	10213	Washer, Flat 5/16	2
57	10807	Nut, Lock 5/16-18	1
58	40354	Cover, End Cap, Belt	1
59	10213	Washer, Flat 5/16	1
60	10807	Nut, Lock 5/16-18	1

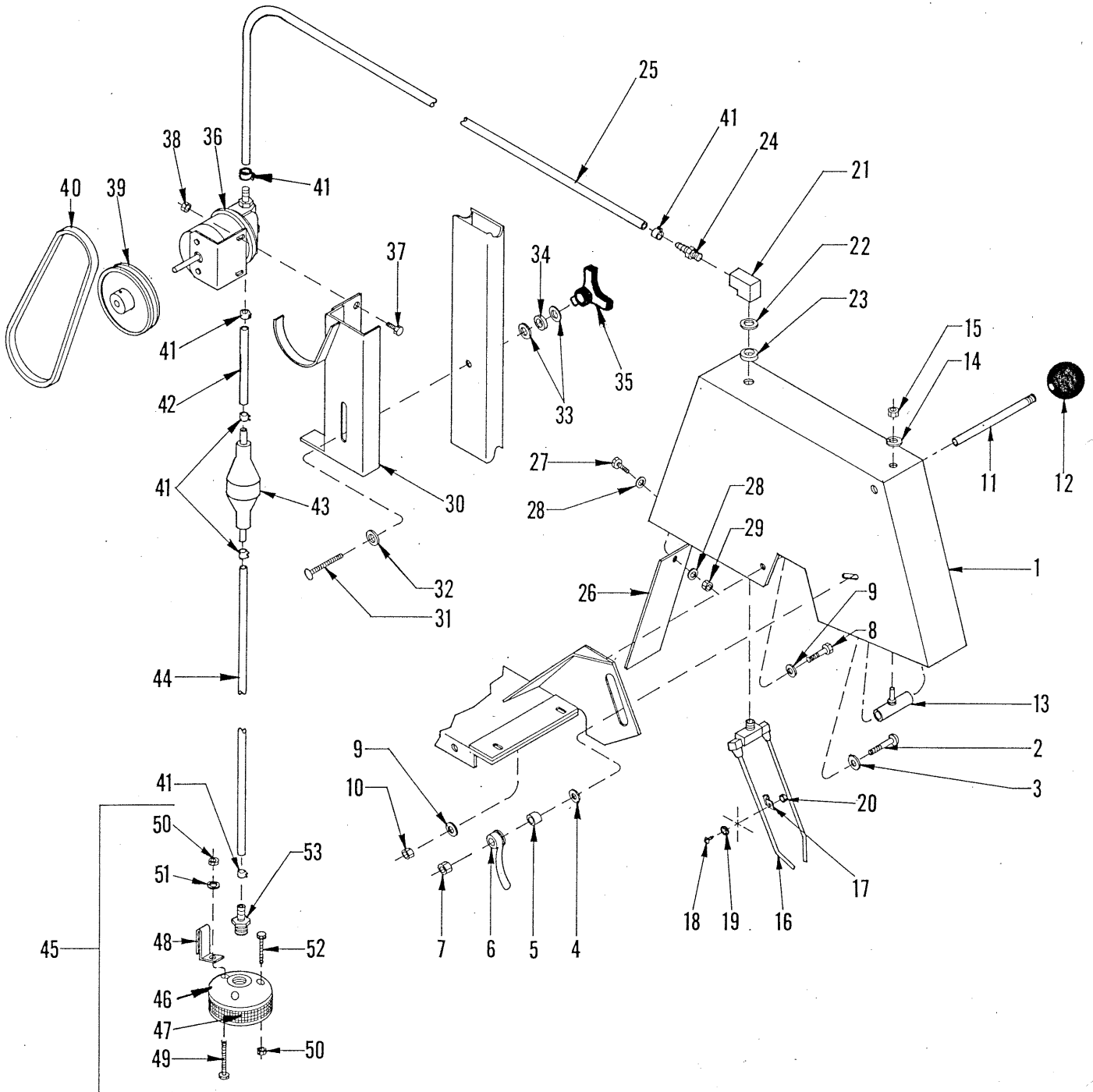
ILLUSTRATION 2 : FOOT PEDAL ASSEMBLY



PARTS LISTING - ILLUSTRATION 2: FOOT PEDAL ASSEMBLY

Item #	Part #	Description	Qty.
1	41121	Treadle (Foot Pedal)	1
2	41012	Handwheel, Small W/ 5/8-8 x 15"Rod	1
3	10346	Screw, Skt.Hd.Cap 1/2-13 x 4-1/2	1
	50550	Sleeve for 1/2 Capscrew, Tapered	1
4	10104	Knob, Ball 1-7/8" Dia. w/1/2-13 Thd.	1
5	80007	Decal, "Cut Control" Small	1
6	80009	Bearing, Ball 5/8" 2-Hole Flange	1
7	10872	Bolt, Carriage 1/4-20 x 3/4	2
8	10602	Washer, Flat 1/4	2
9	10038	Washer, Lock 1/4	2
10	10013	Nut 1/4-20	2
11	41013	Linkage, Control	1
12	10322	Screw, Cap 1/2-20 x 2	1
13	10205	Nut, Lock 1/2-20	1
14	41014	Linkage, Pivot	1
15	41044	Pin, Foot Pedal Spring, 1/2 x 5-1/4	1
16	61066	Pin, Hair Cotter 1/2	2
17	10312	Washer, Flat 1/2	6
18	41045	Spacer 3/4"OD x 1/2"ID x 5/8"L	2
19	41017	Support, Treadle Pivot	4
20	10021	Screw, Cap 3/8-24 x 1	8
21	10025	Washer, Flat 3/8	16
22	10811	Washer, Lock 3/8	8
23	10014	Nut 3/8-24	8
24	41123	Bearing, Sleeve 1"ID Nylon Flanged	4
25	41015	Linkage, Connecting	2
26	10409	Screw, Cap 1/2-20 x 4-1/2	2
27	10312	Washer, Flat 1/2	12
28	10205	Nut, Lock 1/2-20	2
29	41041	Spring, Ext. 1.75"OD x 8"L	2
30	41122	Treadle, Transfer Arm	1
31	10329	Screw, Cap 1/2-20 x 6	1
32	10312	Washer, Flat 1/2	6
33	41045	Spacer 3/4"OD x 1/2"ID x 5/8"L	2
34	10205	Nut, Lock 1/2-20	1
35	41019	Linkage, Clevis	1
36	10308	Screw, Cap 1/2-20 x 1-1/2	1
37	10205	Nut, Lock 1/2-20	1
38	41018	Linkage, Drag	1
39	10322	Screw, Cap 1/2-20 x 2	1
40	10205	Nut, Lock 1/2-20	1

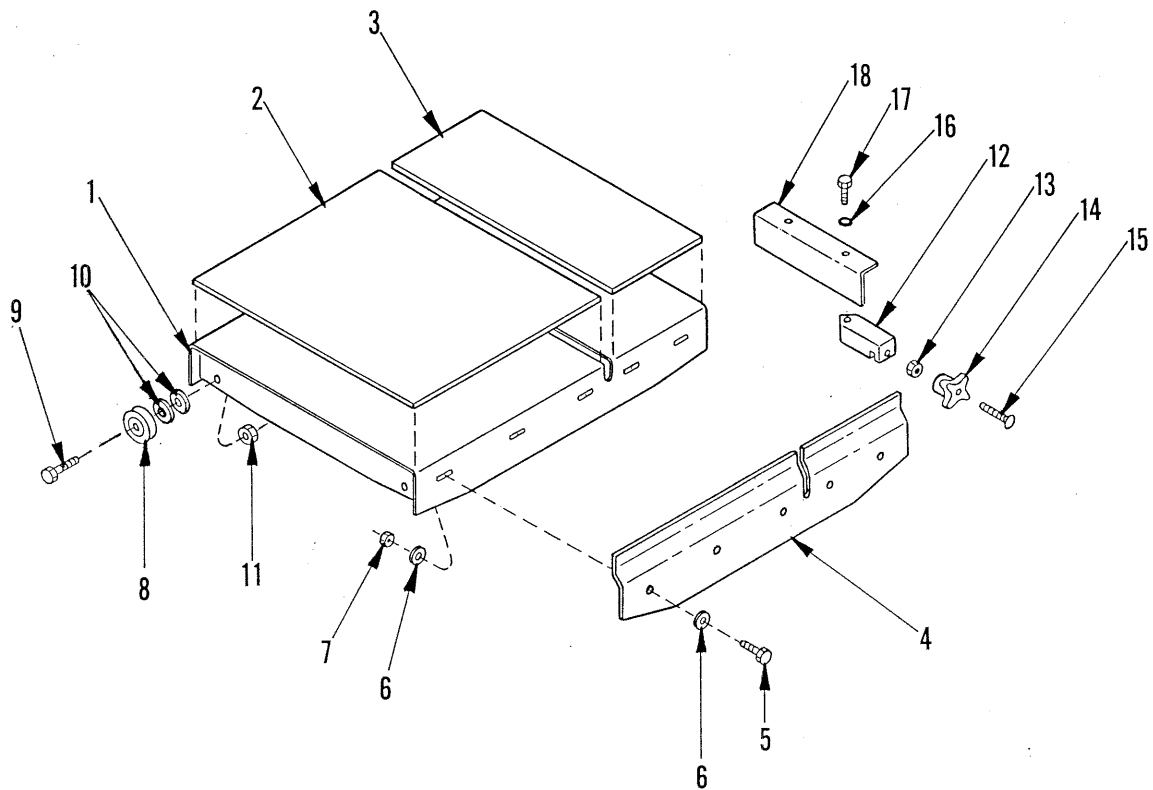
ILLUSTRATION 3 : WATER PUMP & BLADE GUARD ASSEMBLY



PARTS LISTING - ILLUSTRATION 3:
WATER PUMP AND BLADE GUARD ASSEMBLY

Item #	Part #	Description	Qty.
1		Guard, Blade	1
	41026	20" Blade	
	41114	14" Blade	
2	10364	Bolt, Carriage 3/8-16 x 2 Full Thd.	1
3	10040	Washer, Garret 17/32	1
4	10025	Washer, Flat 3/8	1
5	10011	Spacer 5/8"OD x 3/8"ID x 3/8"W,	1
6	40044	Nut, Tail 3/8-16	1
7	10810	Nut, Lock 3/8-16	1
8	10309	Screw, Cap 3/8-24 x 1-1/4	1
9	10025	Washer, Flat 3/8	2
10	10004	Nut, Lock 3/8-24	1
11	41027	Shaft, Handle	1
12	10104	Knob, Ball 1-7/8"Dia. w/ 1/2-13 Thd.	1
13	41028	Lock, Handle	1
14	10811	Washer, Lock 3/8	1
15	10404	Nut 3/8-16	1
16		Nozzle, Coolant	1
	41040	20" Blade Guard	
	81004	14" Blade Guard	
17	61243	Clip, Copper 1/4"	2
18	10830	Screw, Machine 10-32 x 1/2	2
19	10831	Washer, Int. Tooth #10	2
20	10832	Nut 10-32	2
21	10707	Elbow, Female 1/4NPT x 90°(Brass)	1
22	10040	Washer, Garret 17/32	1
23	79035	Bushing, Rubber 5/8"ID x 1/4"Thk.	1
24	50075	Barb, 3/8"Hose x 1/4MPT	1
25	41046	Hose 5/16"ID x 28"L	1
26	41115	Flap, Splash 2-1/2 x 8"L	1
27	10834	Screw, Cap 1/4-20 x 1/2	1
28	10602	Washer, Flat 1/4	2
29	10015	Nut, Lock 1/4-20	1
30	41034	Mount, Water Pump	1
31	10909	Bolt, Carriage 3/8-16 x 3	1
32	10040	Washer, Garret 17/32	1
33	10025	Washer, Flat 3/8	2
34	56018	Bushing, Rubber 3/8"ID x 1/4"Thk.	1
35	80011	Knob, Star 3/8-16	1
36	40393	Pump Assembly, Water (Parts Breakdown is Available)	1
37	10834	Screw, Cap 1/4-20 x 1/2	2
38	10015	Nut, Lock 1/4-20	2
39	40392	Sheave 4"OD x 1Gr.A x 5/16"Bore	1
40	10259	Belt AP-29	1
41	10762	Clamp, Hose Spring-Type 3/8"	4
42	40368	Hose 5/16"ID x 6"L	1
43	40049	Bulb, Primer 5/16"	1
44	41047	Hose 5/16"ID x 16"L	1
45	40301	Filter Assembly Complete (Includes Items 46 thru 52)	1
46	40302	Filter Housing Only	1
47	40303	Screen, Water Filter	1
48	40305	Hanger Clip, Water Filter	1
49	40306	Screw, Machine 10-24 x 1-3/4 (S.S.)	1
50	40308	Nut 10-24 (S.S.)	3
51	40307	Washer, Lock #10 (S.S.)	1
52	40315	Screw, Machine 10-24 x 1-1/2 (S.S.)	2
53	40304	Barb, 3/8"Hose x 1/2"MPT (Plastic)	1

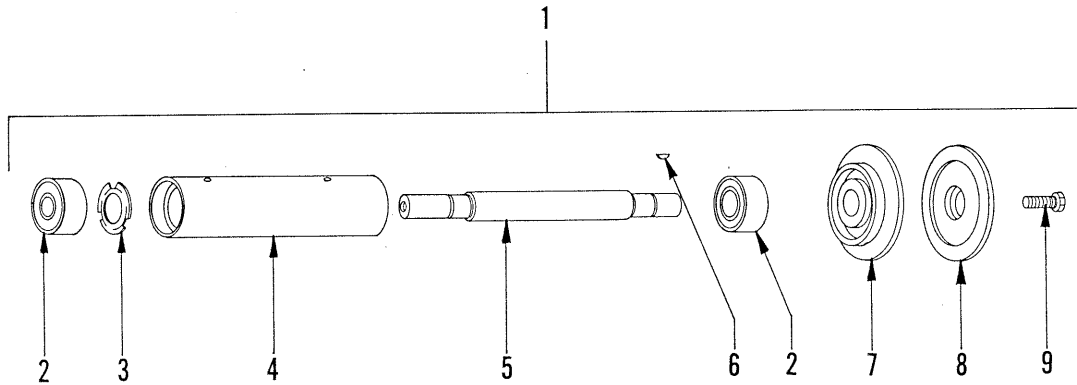
ILLUSTRATION 4 : ROLLING TABLE ASSEMBLY



Complete Table Assembly (All Items) - Part # 41101
 Cut Guide Complete (Items 12 thru 18) - Part # 41140

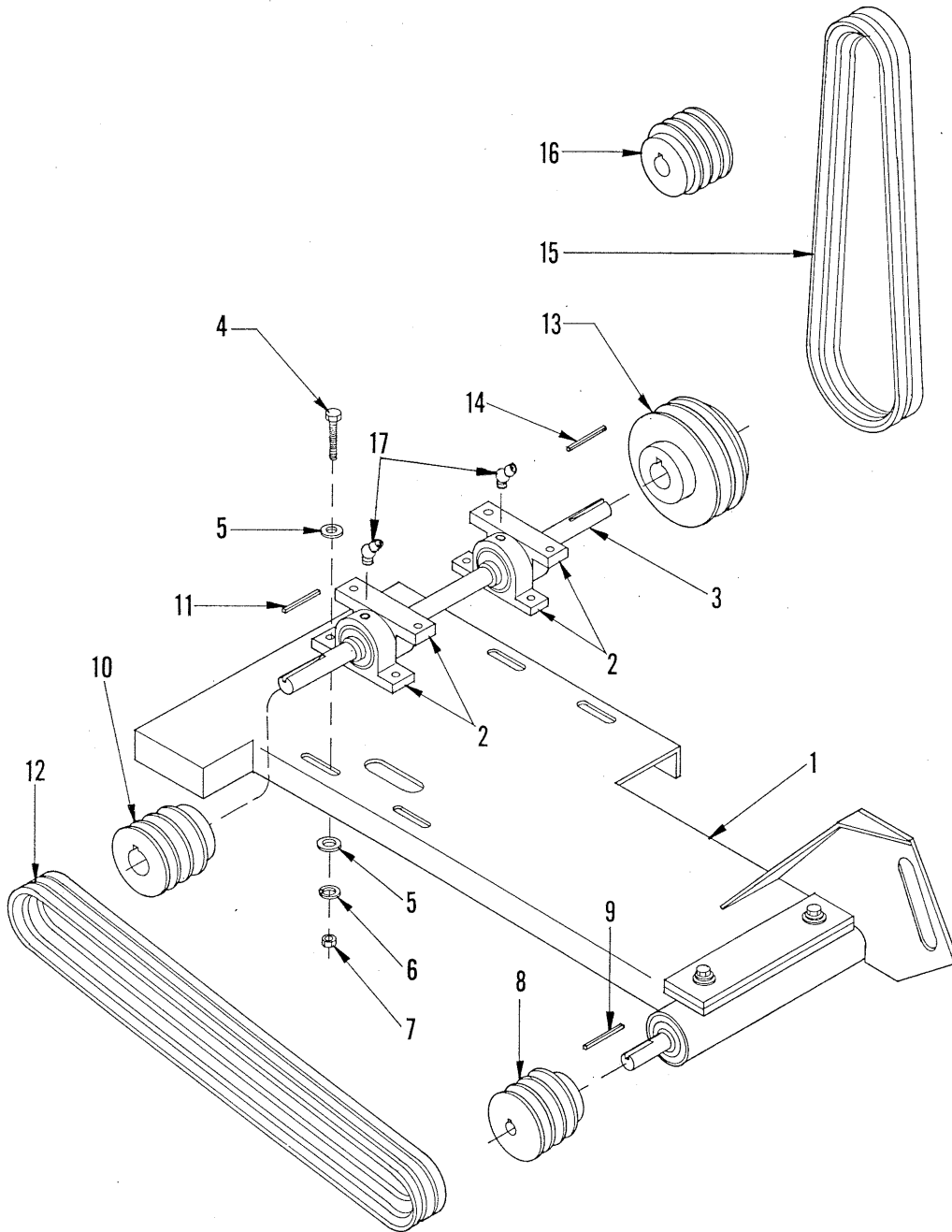
Item #	Part #	Description	Qty.
1	41102	Table, Rolling	1
2	41006	Pad 16 x 13-1/2	1
3	41007	Pad 16 x 7-1/4	1
4	41103	Front Panel, Rolling Table	1
5	10018	Screw, Cap 1/4-20 x 3/4	5
6	10602	Washer, Flat 1/4	10
7	10015	Nut, Lock 1/4-20	5
8	3621	Wheel, Track 1-3/4" Dia.	4
9	10309	Screw, Cap 3/8-24 x 1-1/4	4
10	10025	Washer, Flat 3/8	8
11	10004	Nut, Lock 3/8-24	4
12	42015	Block, Cut Guide	1
13	10404	Nut 3/8-16	1
14	80011	Knob, Star 3/8-16	1
15	10364	Bolt, Carr. 3/8-16 x 2 Full Thd.	1
16	10801	Washer, Lock 5/16	1
17	10053	Screw, Cap 5/16-18 x 3/4	1
18	41104	Bracket, Cut Guide	1

ILLUSTRATION 5 : ARBOR ASSEMBLY



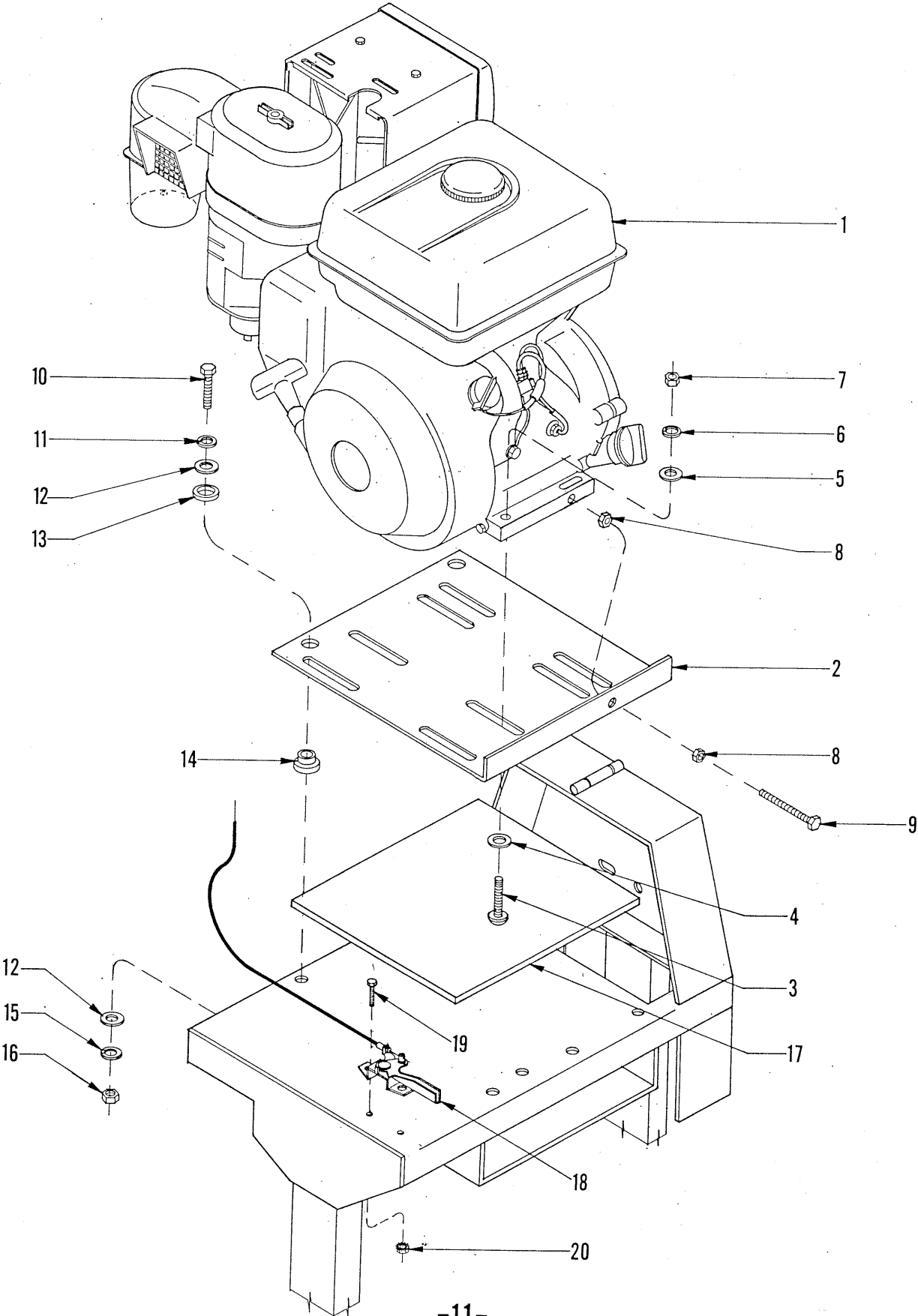
Item #	Part #	Description	Qty.
1	41113	Arbor Assembly (Includes Items #2 thru #9)	1
2	40018	Bearing, Ball Radial	2
3	40019	Washer, Thrust Spring	1
4	41024	Housing, Arbor	1
5	41025	Shaft, Arbor	1
6	40036	Key, Woodruff 1/8 x 3/8	1
7	40022	Backing Plate, Arbor	1
8	40023	Cap, Blade Retaining	1
9	10321	Screw, Cap 1/2-20 x 1-1/4	1

ILLUSTRATION 6 : BELT DRIVE ASSEMBLY



PARTS LISTING - ILLUSTRATION 6: BELT DRIVE ASSEMBLY			
Item #	Part #	Description	Qty.
1	41022	Deck, Arbor	1
2	50016	Bearing, 1" Pillow Block	4
3	41031	Shaft, Drive Jack	1
4	10029	Screw, Cap 3/8-24 x 1-3/4	8
5	10025	Washer, Flat 3/8	16
6	10811	Washer, Lock 3/8	8
7	10014	Nut 3/8-24	8
8	81011	Sheave 3"OD x 3 Gr.A x 3/4" Bore	1
9	10060	Key 3/16 Sq. x 1-1/4	1
10	80027	Sheave 3"OD x 3 Gr.A x 1" Bore	1
11	10071	Key 1/4 Sq. x 2-1/2	1
12	10240	Belt AP-44	3
13	10513	Sheave 4-1/2"OD x 2Gr.A x 1" Bore	1
14	10301	Key 1/4 Sq. x 1-1/2	1
15		Belt	2
	10239	AP-32 (Gasoline Models)	
	10249	AX-31 (Electric Model)	
16		Sheave	1
	80027	3"OD x 3Gr.A x 1"Bore (Gas)	
	10556	3"OD x 3Gr.A x 1-3/8"Bore (Elec.)	
17	10960	Fitting, Grease 1/4-28 x 45°	2

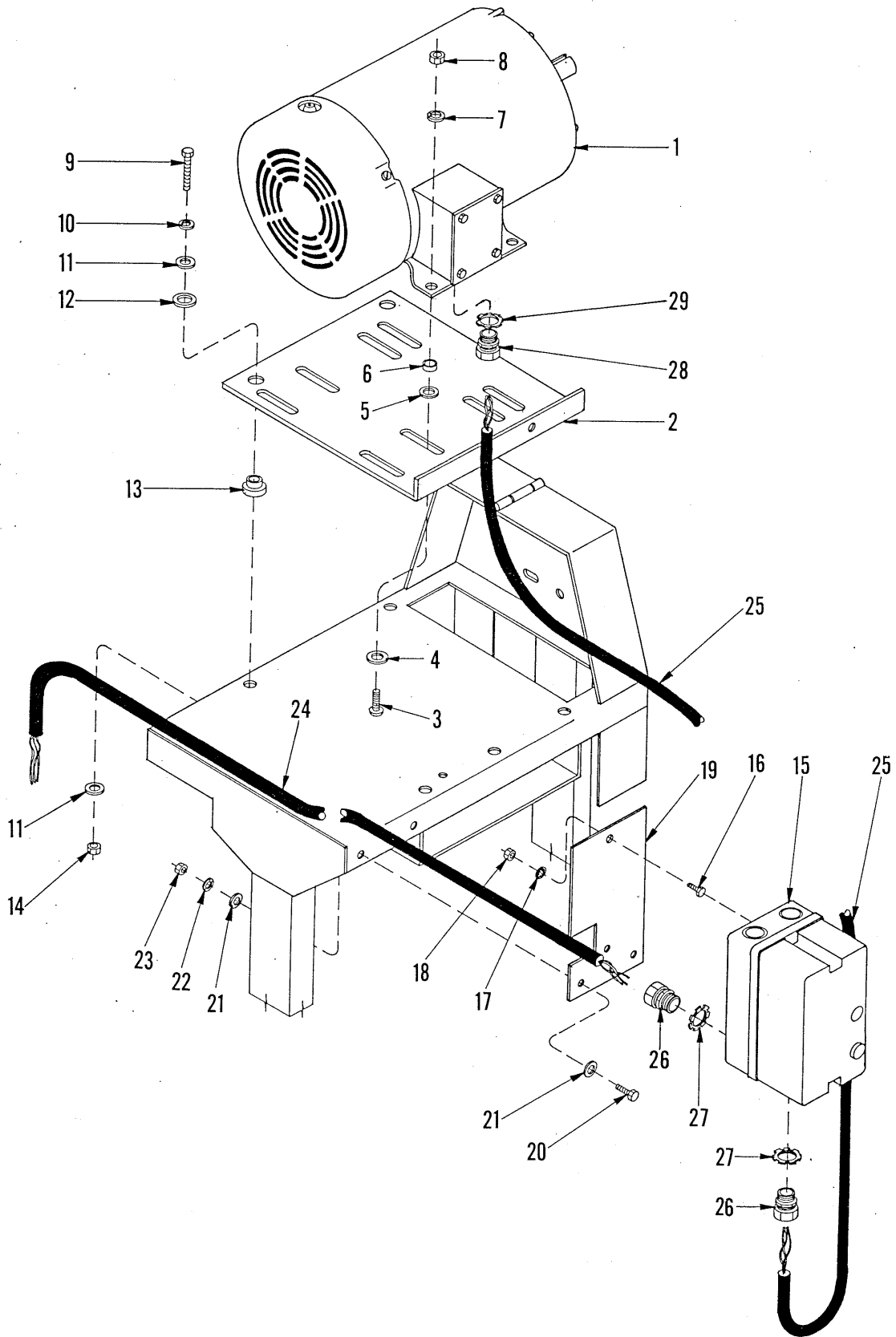
ILLUSTRATION 7 : ENGINE ASSEMBLY



PARTS LISTING - ILLUSTRATION 7: ENGINE ASSEMBLY

Item #	Part #	Description	Qty.
1		Engine	1
	79045	Honda 11 HP GXV340	
	15027	Honda 9 HP GX270	
2		Mount, Engine/Motor	1
	41035	11 HP Honda GX340	
	41049	9 HP Honda GX270	
3	10917	Bolt, Carriage 3/8-16 x 2	4
4	10040	Washer, Garrett 17/32	4
5	10025	Washer, Flat 3/8	4
6	10811	Washer, Lock 3/8	4
7	10404	Nut 3/8-16	4
8	52015	Bolt, Tap 3/8-16 x 3-1/2 Full Thd.	1
9	10404	Nut 3/8-16	2
10	10380	Screw, Cap 5/16-18 x 2	4
11	10213	Washer, Flat 5/16	4
12	10312	Washer, Flat 1/2	8
13	79035	Bushing, Rubber 5/8 ID x 1/4 Thk.	4
14	10225	Bushing, Rubber Engine Mount	4
15	10801	Washer, Lock 5/16	4
16	10054	Nut 5/16-18	4
17	41048	Pad, Rubber 12-1/4 x 10-3/4 x 1/4	1
18	40313	Cable, Throttle 16"	1
19	10018	Screw, Cap 1/4-20 x 3/4	2
20	10861	Nut, Keps 1/4-20	2

ILLUSTRATION 8 : MOTOR ASSEMBLY



PARTS LISTING - ILLUSTRATION 8: MOTOR ASSEMBLY

Item #	Part #	Description	Qty.
1	16004	Motor, Baldor 10HP-3PH 60HZ 3450RPM	1
2	41035	Mount, Engine/Motor	1
3	10804	Bolt, Carriage 3/8-16 x 1-1/2	4
4	10040	Washer, Garrett 17/32	4
5	10025	Washer, Flat 3/8	4
6	10113	Spacer, 9/16"OD x 3/8"ID x 7/32"W	4
7	10811	Washer, Lock 3/8	4
8	10404	Nut 3/8-16	4
9	10380	Screw, Cap 5/16-18 x 2	4
10	10213	Washer, Flat 5/16	8
11	10312	Washer, Flat 1/2	4
12	79035	Bushing, Rubber 5/8"ID x 1/4 Thk.	4
13	10225	Bushing, Rubber Engine Mount	4
14	10807	Nut, Lock 5/16-18	4
15	85045	Starter, Motor CA3-30 w/ Large Enclosure	1
16	10362	Screw, Machine 8-32 x 3/4	2
17	10461	Washer, Int. Tooth #8	2
18	10462	Nut 8-32	2
19	41050	Mount, Starter Motor	1
20	10053	Screw, Cap 5/16-18 x 3/4	2
21	10213	Washer, Flat 5/16	4
22	10801	Washer, Lock 5/16	2
23	10054	Nut 5/16-18	2
24	41051	Harness, 10-4 Wire 39"	1
25	41052	Harness, 10-4 Wire 23"	
26	41053	Connector, Strain Relief 1/2 NPT x .625"-.750" Range	2
27	10790	Nut, Conduit Lock 1/2 NP	2
28	10605	Connector, Strain Relief 3/4 NPT x .650"-.750" Range	1
29	10740	Nut, Conduit Lock 3/4 NP	1