

ELECTRIC POWERED 20" MASONRY SAW PARTS LIST MANUAL



Model MS-20



100 Thomas Johnson Drive, Frederick, MD 21702-4600 USA
Phone (301) 663-1600 • 1-800-638-3326
Fax (301) 663-1607 • 1-800-447-3326
Website: www.edcoinc.com • Email: sales@edcoinc.com

Printed in USA
©2004

READ AND UNDERSTAND THE OPERATORS INSTRUCTION MANUAL THOROUGHLY BEFORE ATTEMPTING TO OPERATE THIS EQUIPMENT. Death or serious injury could occur if this machine is used improperly.



SAFETY MESSAGES



The safety instructions are preceded by a graphic alert message of DANGER, WARNING, or CAUTION.



Indicates an imminent hazard which, if not avoided, will result in death or serious injury.



Indicates an imminent hazard which, if not avoided, can result in death or serious injury.



Indicates hazards which, if not avoided, could result in serious injury and or damage to the equipment.

GASOLINE Powered Equipment



- Do not operate gasoline powered equipment without adequate ventilation. Carbon monoxide is an invisible, odorless gas that can kill.

ELECTRICAL Powered Equipment



- ELECTRICAL HAZARD** - Be sure equipment is properly grounded. Failure to comply could kill or result in serious injury.



The engine exhaust from this product contains chemicals known to the State of California to cause cancer, birth defects or other reproductive harm.

GENERAL INSTRUCTIONS



- You must read and understand the operators instruction manual and all other manuals associated with this machine. For your safety and the safety of others around you, it is extremely important to fully understand how to operate this machine in the way it was intended. Different model machines or older/newer versions of the same model may have different parts and controls that you need to understand. If instructions are not readable or available DO NOT USE this machine and contact the factory for a replacement Manual.
- You must be able to physically handle the bulk weight and power of this machine. If not properly controlled this machine can cause death or serious injury.
- Do not operate this machine in an impaired mental state. You must be able to exercise good judgement and reactions to maintain a safe working environment.
- This is a "one person" machine which means only one operator can be operating the machine at any one time. For the safety of others, maintain a safe operating distance to other personnel. Your work area should be defined and appropriately marked so bystanders and coworkers do not stand or walk near this machine and end up seriously injured by flying debris or exposing them to harmful noise or dust.
- This equipment is for Commercial use. Although this is a "one person" machine your work team should understand how to shut this machine off and quickly get medical help if an accident strikes the operator.
- Keep all guards in place during operation. The guards are to provide protection from inadvertent contact with dangerous moving parts, pinch points, or hot surfaces.
- Wear appropriate Personal Protective Equipment (PPE) including safety glasses, safety boots, work gloves, respiratory protection, hearing protection, and head protection. Do not wear loose clothing that can get tangled in moving parts. Failure to do so could result in dismemberment or death. **Wear an approved respirator when removing hazardous materials or when grinding/cutting dry materials. Some dust particles such as concrete dust can contain silicate particles which can cause silicosis (a very serious lung disease). Contact NIOSH or OSHA for further details. When wet grinding/cutting, avoid contact with the concrete/asphalt slurry which can cause serious skin irritations.**
- You must maintain this machine per the maintenance schedule in the operator manual. Remember before adjusting, servicing, or fueling this machine, disconnect the source of power to the machine by disconnecting the spark plug (Gas models), or by unplugging the electrical power cord (electric models) or air hose (Pneumatic models) AT THE MACHINE so you can assure yourself it remains unplugged while you are working on it. Do not modify this machine. Use only genuine EDCO parts and accessories. Repairs and service should be performed by approved EDCO dealers or authorized technicians.
- You should look carefully around the area before you begin work so you can identify potential hazards such as deck inserts, pipes, columns, openings, electrical cords or outlets, or any other objects protruding from the slab surface.
- This machine has no brain so you must use your own. There is no substitute for safety. The safety decals on the machine are to serve as a reminder for information you must already know before you begin using this machine. Take a moment to reread the safety decals each time you use the machine. If your machine is missing any decals, contact the factory for a replacement (EDCO 1-800-638-3326).

PARTS LIST MANUAL

MODEL MS-20

Section	Page Number
Safety Messages / General Instructions	2
How To Order Replacement Parts	3
Illustration 1 : Main Grouping	4,5
Illustration 2 : Foot Pedal & Linkage Grouping	6,7
Illustration 3 : Blade Guard Grouping	8,9
Illustration 4 : Arbor Assembly Grouping	10
Illustration 5 : Rolling Table Assembly Grouping	11
Illustration 6 : Main Deck Assembly Grouping	12
Illustration 7 : Belt Drive Grouping	13
Illustration 8 : Power Option Grouping	14,15
Limited Equipment Warranty	back cover

ELECTRIC POWERED 20" MASONRY SAWS

PART NO.	MODEL	ELECTRIC MOTOR POWER OPTION
21500-230	MS20-5B/230/3	BALDOR 5.0 HP-3 PHASE-60HZ-230V
21500-460	MS20-5B/460/3	BALDOR 5.0 HP-3 PHASE-60HZ-460V
21200	MS20-5B/230/1	BALDOR 5.0 HP-1 PHASE-60 HZ-230V
21300-230	MS20-7.5B/230/3	BALDOR 7.5 HP-3 PHASE-60 HZ-230V
21300-460	MS20-7.5B/460/3	BALDOR 7.5 HP-3 PHASE-60 HZ-460V

HOW TO ORDER REPLACEMENT PARTS

- To insure product safety and reliability, always use genuine EDCO replacement parts when making repairs to the equipment.
- When calling for parts, specify the MODEL and SERIAL NUMBER of the machine which can be found on the NAME PLATE. Keep that information in the space provided. In addition to this information, give part number, description and quantity as listed on the parts list to your parts representative.
- Please note: Due to improvements and changes in the equipment, the illustrations shown may be different than the actual machine.

FILL IN INFORMATION BELOW

Date of Purchase _____

Name of Machine _____

Model # _____

Serial # _____

Belt Size(s) _____

Toll Free: 1-800-638-3326

FAX: 1-800-447-3326

email: sales@edcoinc.comwww.edcoinc.com

100 Thomas Johnson Drive, Frederick, MD 21702-4600 USA

Phone (301) 663-1600 • 1-800-638-3326

Fax (301) 663-1607 • 1-800-447-3326

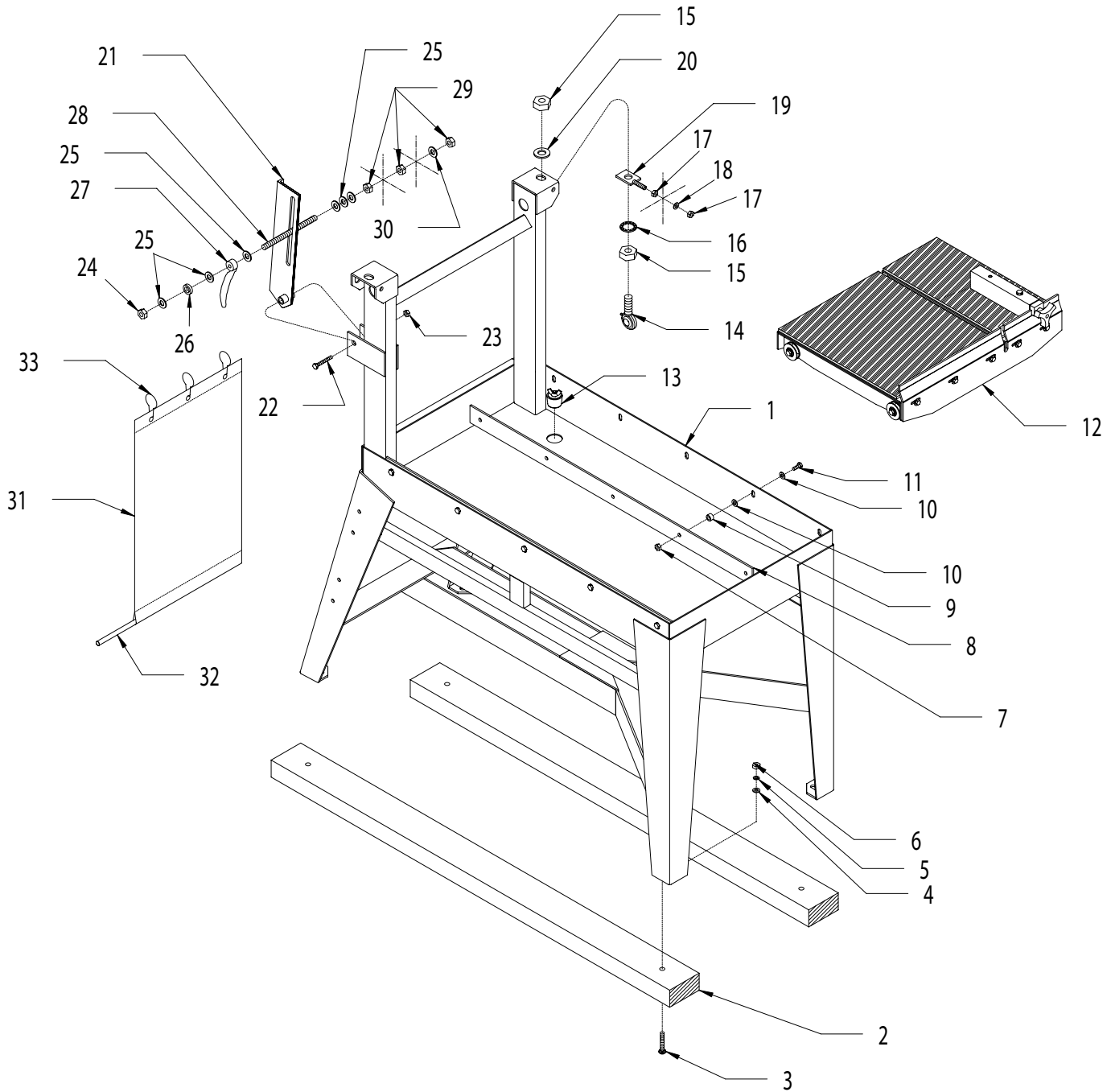
Website: www.edcoinc.com • Email: sales@edcoinc.com

Printed in USA

©2004

Page 3

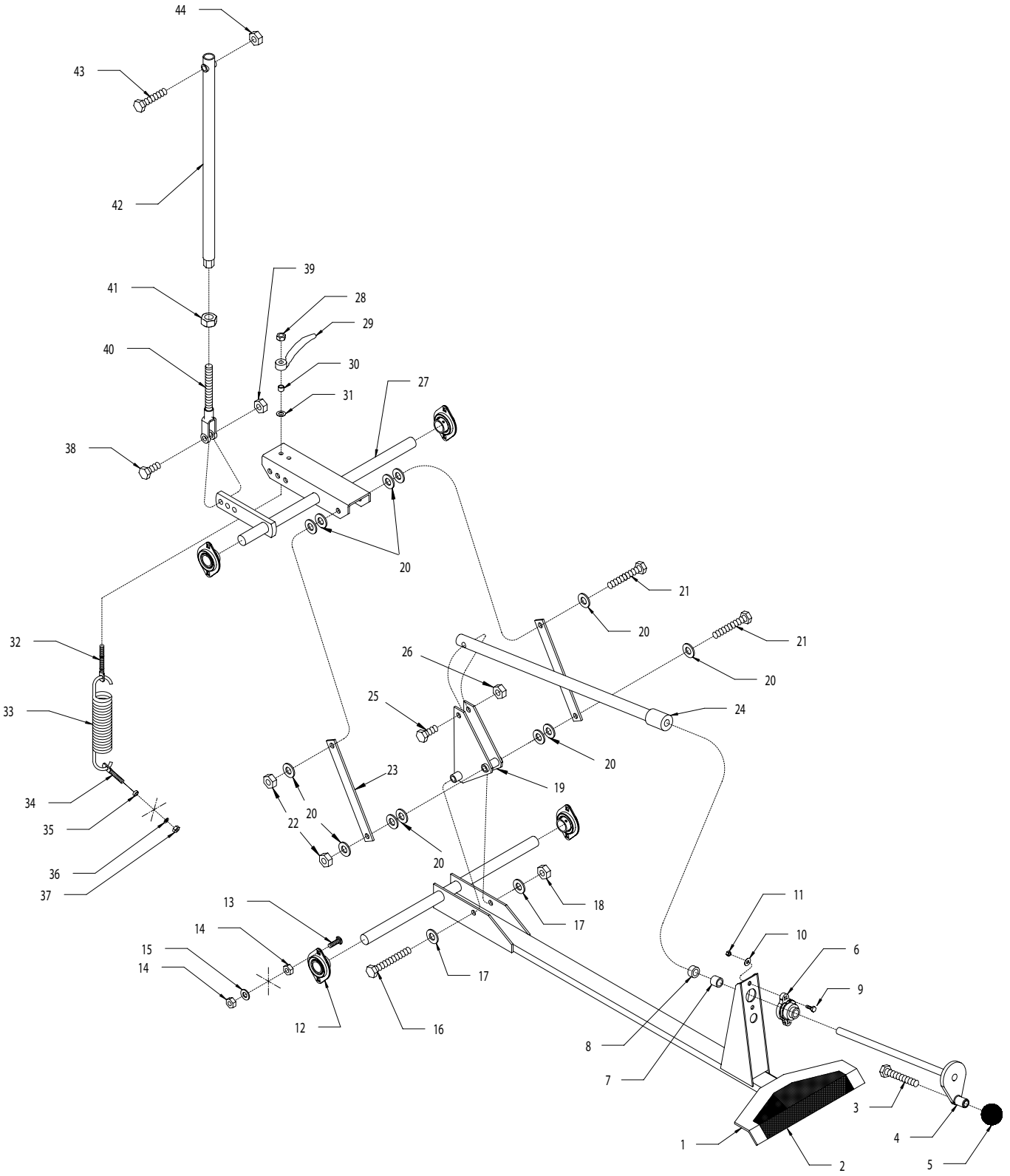
ILLUSTRATION 1 : MAIN GROUPING



PARTS LISTING - ILLUSTRATION 1 : MAIN GROUPING			
ITEM#	PART#	DESCRIPTION	QTY.
1	41106	STAND & PAN ASSEMBLY	1
2	41002	SKID BOARD 2x4x 54"L	2
3	10364	BOLT, CARRIAGE 3/8-16x2 FULL THD.	4
4	10025	WASHER, FLAT 3/8	4
5	10811	WASHER, LOCK 3/8	4
6	10404	NUT 3/8-16	4
7	10004	NUT, LOCK 3/8-24	10
8	41003	RAIL, GUIDE	2
9	10011	SPACER, STEEL 5/8"ODx3/8"IDx3/8"THK	10
10	10025	WASHER, FLAT 3/8	20
11	10309	SCREW, CAP 3/8-24x1-1/4 PLATED	10
12	41101	TABLE COMPLETE, ROLLING (REFER TO ILLUS. 5 FOR BREAKDOWN)	1
13	40378	STOPPER ASSEMBLY 1-1/2"	1
14	10935	ROD END, MALE 3/4-16	2
15	10429	NUT, JAM 3/4-16	4
16	10609	WASHER, LOCK INT. TOOTH 3/4"	2
17	10404	NUT 3/8-16	4
18	10025	WASHER, FLAT 3/8	2
19	41107	ADJUSTER, HEAD	2
20	10009	WASHER, FLAT 3/4	2
21	41021	PLATE, PIVOT LOCK	1
22	10343	SCREW, CAP 1/2-20x2-1/2	1
23	10205	NUT, LOCK 1/2-20	1
24	10155	NUT, HEX NYLON LOCK 1/2-13	1
25	10312	WASHER, FLAT 1/2	6
26	79035	BUSHING, RUBBER 1-1/16"ODx5/8"ID	1
27	40358	NUT, TAIL HANDLE 1/2-13	1
28	41108	ROD, ALLTHREAD 1/2-13x7"L	1
29	10417	NUT 1/2-13	3
30	10045	WASHER, LOCK 1/2	1
31	40375	CURTAIN 15"x28" w/ LOGO	1
32	40377	CURTAIN ROD 1/2" DIA.x13"L	1
33	40376	HOOK, CURTAIN	3



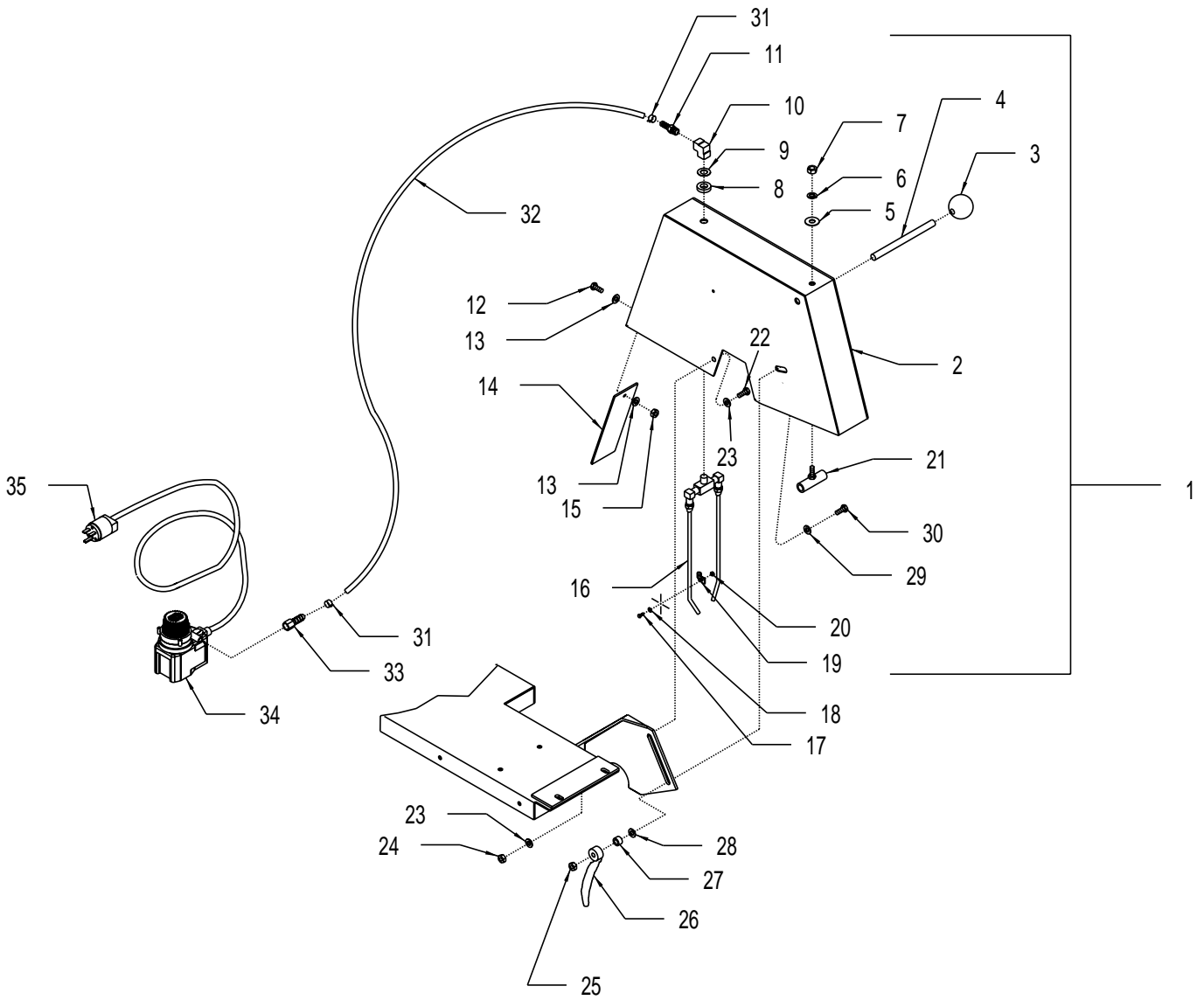
ILLUSTRATION 2 : FOOT PEDAL & LINKAGE GROUPING



PARTS LISTING - ILLUSTRATION 2 : FOOT PEDAL & LINKAGE GROUPING			
ITEM#	PART#	DESCRIPTION	QTY.
1	41121	TREADLE (FOOT PEDAL)	1
2	41132	TREAD, ABRASIVE, FOOT PEDAL	1
3	10346	SCREW, SKT. HD. CAP 1/2-13x4-1/2 ZINC	1
4	41012	HANDWHEEL, SMALL w/ 5/8-8x15" ROD	1
5	10104	KNOB, BALL 1-7/8" w/ 1/2-13 THD., BLACK	1
6	80009	BEARING, BALL 5/8" 2-HOLE FLANGE	1
7	55010	SPACER, HANDWHEEL 5/8" ID x 3/4" L	1
8	10096	COLLAR, LOCKING 5/8" ID	1
9	10412	BOLT, CARRIAGE 1/4-20x1	2
10	10602	WASHER, FLAT 1/4	2
11	10861	NUT, KEPS 1/4-20	2
12	41060	BEARING, BALL 1" 2-HOLE SHEET METAL	4
13	10819	BOLT, CARRIAGE 5/16-18x1	8
14	10054	NUT 5/16-18	16
15	10801	WASHER, LOCK 5/16	8
16	10202	SCREW, CAP 1/2-20x3	1
17	10312	WASHER, FLAT 1/2	2
18	10205	NUT, LOCK 1/2-20	1
19	41014	LINKAGE, PIVOT	1
20	10312	WASHER, FLAT 1/2	12
21	10409	SCREW, CAP 1/2-20x4-1/2	2
22	10205	NUT, LOCK 1/2-20	2
23	41015	LINKAGE, CONNECTING	2
24	41013	LINKAGE, CUT CONTROL	1
25	10322	SCREW, CAP 1/2-20x2	1
26	10205	NUT, LOCK 1/2-20	1
27	41122	TREADLE, TRANSFER ARM	1
28	10810	NUT, LOCK 3/8-16	1
29	40044	NUT, TAIL HANDLE 3/8-16	1
30	10011	SPACER, STEEL 5/8" OD x 3/8" ID x 3/8" THK	1
31	10025	WASHER, FLAT 3/8	1
32	10845	BOLT, SPADE 3/8-16x4-1/8	1
33	41041	SPRING, EXT. 1.75" OD x 8" L	1
34	10843	BOLT, SPADE 3/8-16x1-5/8	1
35	10113	SPACER 9/16" OD x 3/8" ID x 7/32" THK	1
36	10811	WASHER, LOCK 3/8	1
37	10404	NUT 3/8-16	1
38	10308	SCREW, CAP 1/2-20x1-1/2	1
39	10205	NUT, LOCK 1/2-20	1
40	41019	LINKAGE, CLEVIS	1
41	10046	NUT 5/8-11	1
42	41018	LINKAGE, DRAG	1
43	10322	SCREW, CAP 1/2-20x2	1
44	10205	NUT, LOCK 1/2-20	1



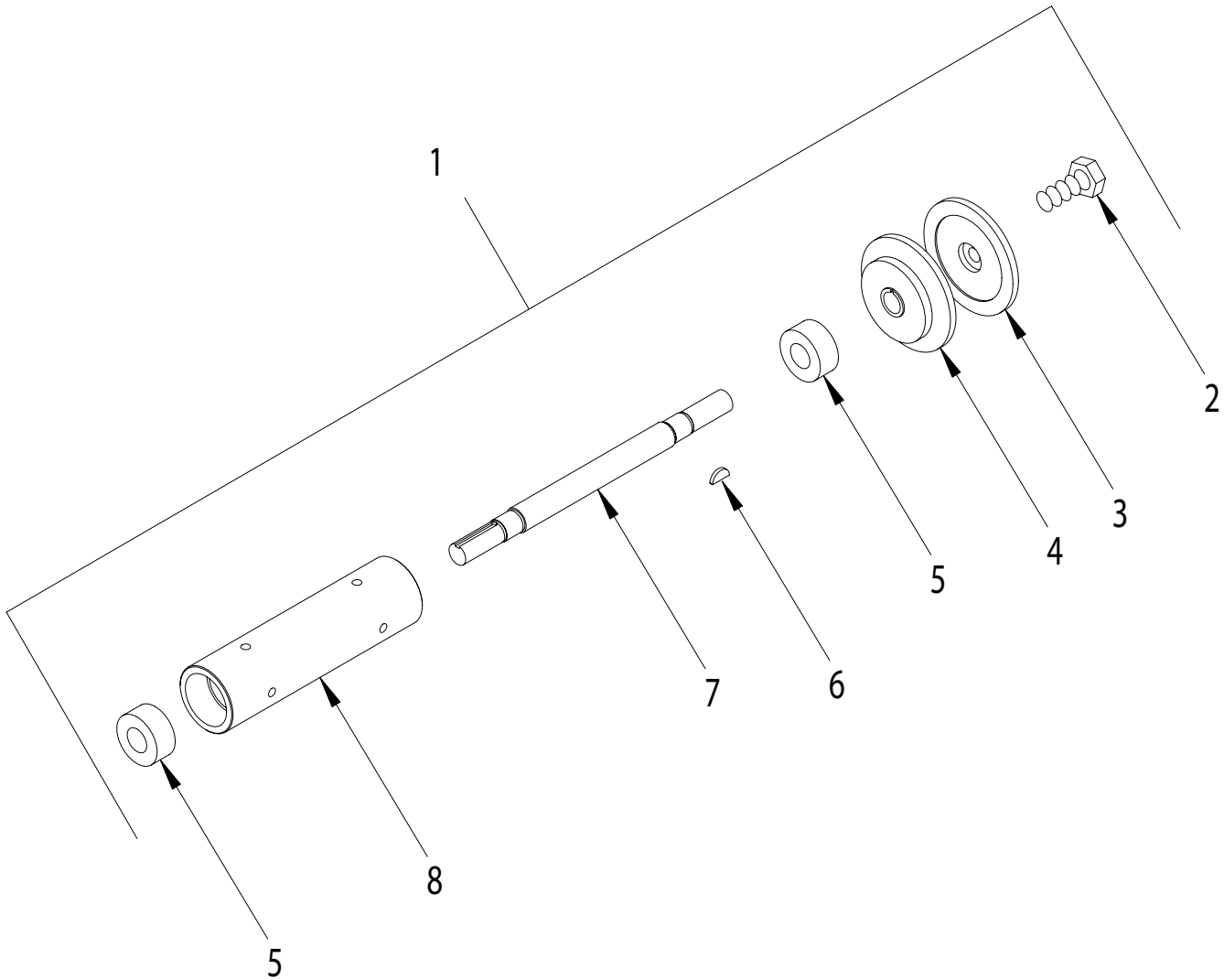
ILLUSTRATION 3 : BLADE GUARD GROUPING



PARTS LISTING - ILLUSTRATION 3 : BLADE GUARD GROUPING			
ITEM#	PART#	DESCRIPTION	QTY.
1	41026G	GUARD, SUBASSY., BLADE 20" (INCLUDES ITEMS 2-21)	1
2	41026	GUARD, BLADE 20"	1
3	10104	KNOB, BALL 1-7/8 w/ 1/2-13 THD., BLACK	1
4	41027	SHAFT, HANDLE	1
5	10025	WASHER, FLAT 3/8	1
6	10811	WASHER, LOCK 3/8	1
7	10404	NUT 3/8-16	1
8	79035	BUSHING, RUBBER 1-1/16"ODx5/8"ID	1
9	10040	WASHER, GARRET 17/32"ID x 1"ODx.054THK	1
10	10707	ELBOW, FEMALE 1/4 NPT x 90 (BRASS)	1
11	50075	BARB, 3/8 HOSEx1/4 MPT	1
12	10018	SCREW, CAP 1/4-20x3/4	1
13	10602	WASHER, FLAT 1/4	2
14	41115	FLAP, SPLASH 2-1/2x8	1
15	10015	NUT, LOCK 1/4-20	1
16	41040	NOZZLE, COOLANT 1/4MPT W/ 10" TUBES	1
17	10830	SCREW, MACHINE 10-32x1/2	2
18	10831	WASHER, LOCK INT. TOOTH #10	2
19	61243	CLIP, COPPER 1/4"	2
20	10832	NUT 10-32	2
21	41028	LOCK, HANDLE	1
22	10309	SCREW, CAP 3/8-24x1-1/4 PLATED	1
23	10025	WASHER, FLAT 3/8	2
24	10004	NUT, LOCK 3/8-24	1
25	10810	NUT, LOCK 3/8-16	1
26	40044	NUT, TAIL HANDLE 3/8-16	1
27	10011	SPACER, STEEL 5/8"ODx3/8"IDx3/8"THK	1
28	10025	WASHER, FLAT 3/8	1
29	10040	WASHER, GARRET 17/32"ID x 1"ODx.054THK	1
30	10364	BOLT, CARRIAGE 3/8-16x2 FULL THD.	1
31	10763	CLAMP, HOSE SPRING-TYPE 7/16" RED	2
32	41116	HOSE 5/16"IDx50"L	1
33	10739	BARB, 5/16 HOSEx1/4 FPT	1
34	41117	PUMP, WATER, 230 VAC, G300 CV (SUBMERSIBLE)	1
35	41118	PLUG 15A/250V	1

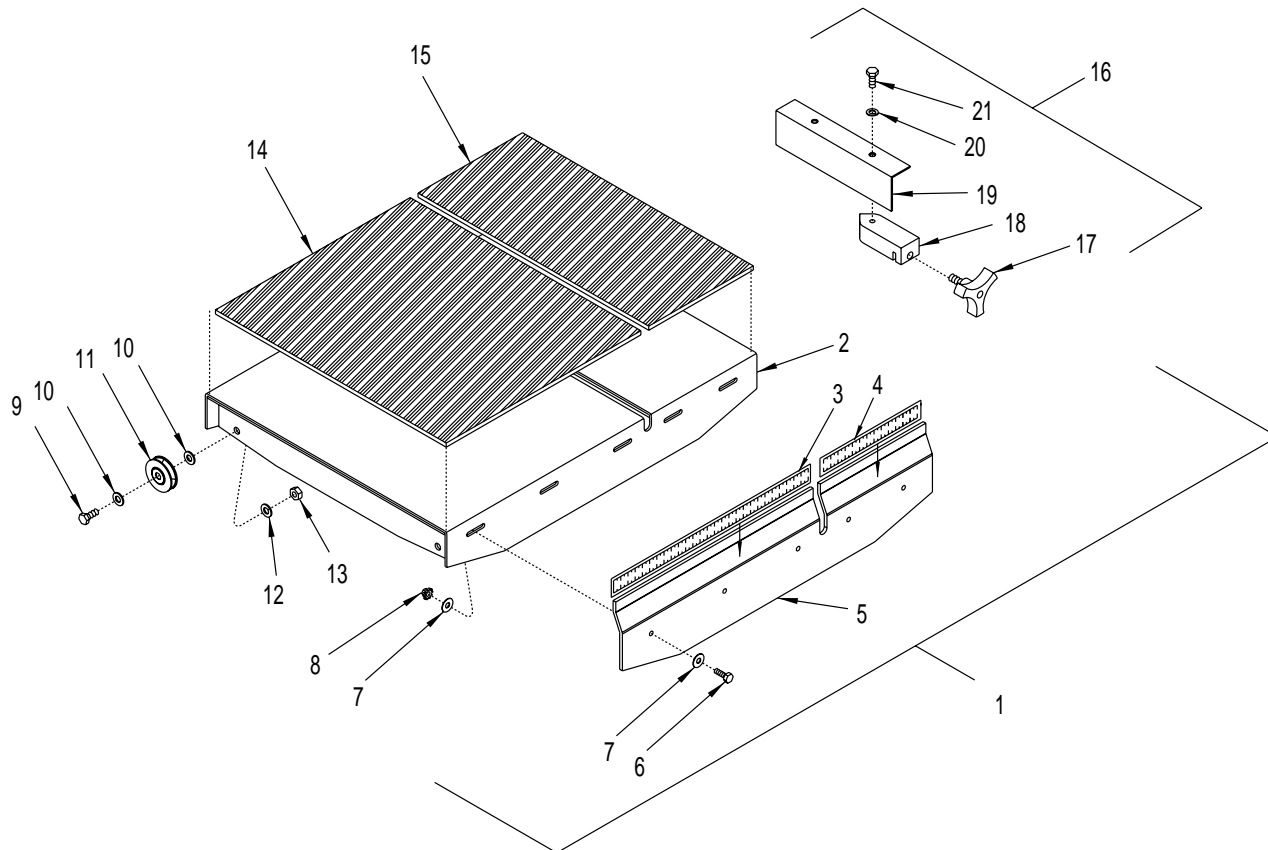


ILLUSTRATION 4 : ARBOR ASSEMBLY GROUPING



ITEM#	PART#	DESCRIPTION	QTY.
1	41113	ARBOR ASSEMBLY COMPLETE (ITEMS 2-8)	1
2	10321	SCREW, CAP 1/2-20x1-1/4	1
3	40023	ARBOR, BLADE RETAINING CAP 4"	1
4	40022	ARBOR, BACKING PLATE 4"	1
5	40018	BEARING, RADIAL BALL 20x47x20.6mm	2
6	40036	KEY, WOODRUFF 1/8 x 3/8 (#403)	1
7	41025	ARBOR SHAFT 11-1/4"L	1
8	41024	ARBOR HOUSING	1

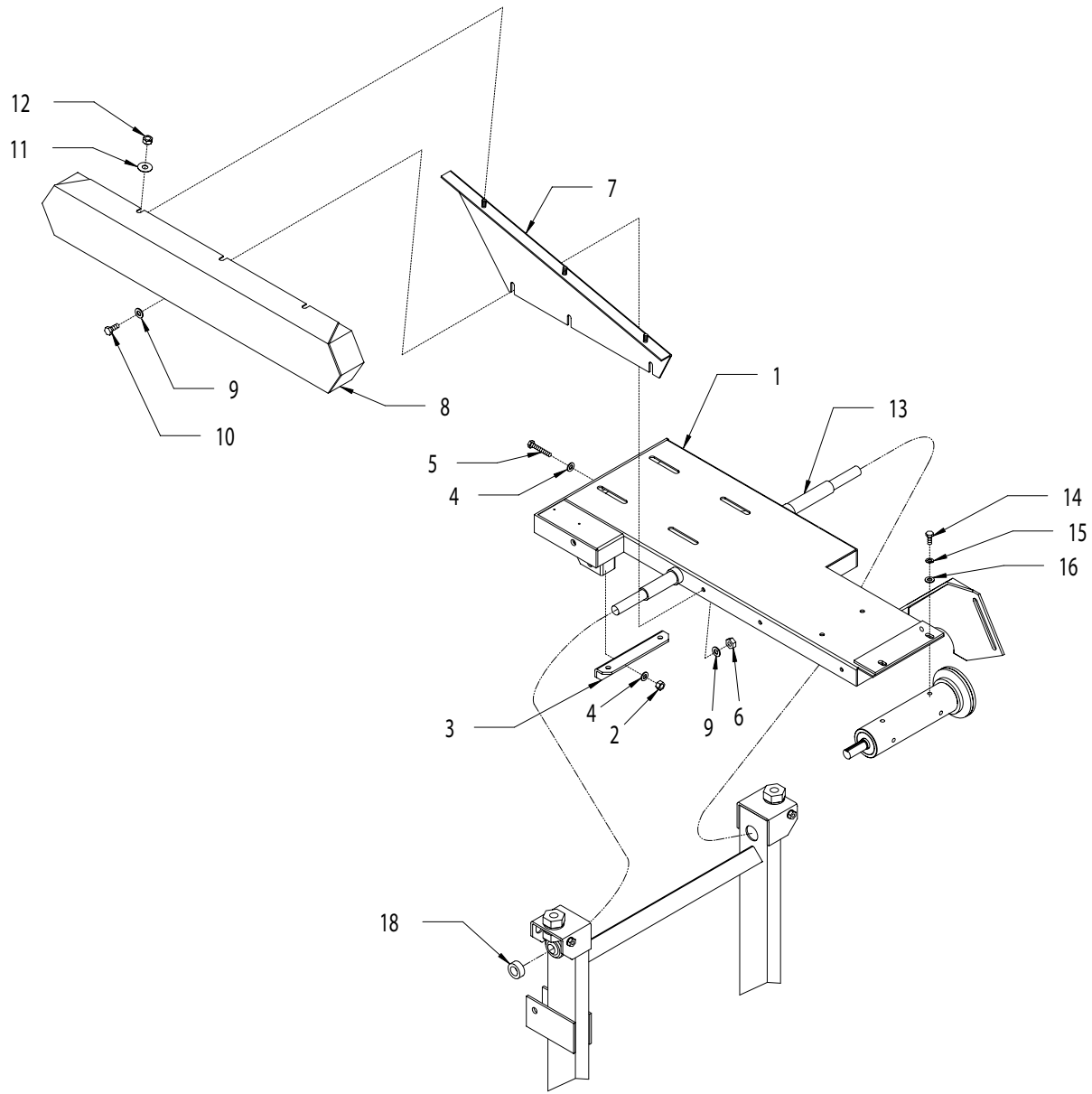
ILLUSTRATION 5 : ROLLING TABLE ASSEMBLY GROUPING



ITEM #	PART #	DESCRIPTION	QTY.
1	41101	TABLE COMPLETE, ROLLING (ITEMS 2-15)	1
2	41102	TABLE, ROLLING	1
3	40423	RULE, ADHESIVE BACKED,1-13, R-L	1
4	40424	RULE, ADHESIVE BACKED, 1-7, L-R	1
5	41103	FRONT PANEL, ROLL TABLE	1
6	10018	SCREW, CAP 1/4-20X3/4	5
7	10602	WASHER, FLAT 1/4	10
8	10861	NUT, KEPS 1/4-20	5
9		SCREW, CAP	
	10309	3/8-24X1-1/4	2
	10816	3/8-24X1-1/2	2
10	10025	WASHER,FLAT 3/8	AS REQ'D.
11	3621	PULLEY BEARING 1-3/4DIA. X 3/8BORE (TRACK WHEEL)	4
12	10811	WASHER, LOCK 3/8	4
13	10014	NUT 3/8-24	4
14	41006	PAD 16X13-1/2	1
15	41007	PAD 16X7-1/4	1
16	41140	GUIDE SUBASSEMBLY, CUT (INCLUDES ITEMS 17-21)	1
17	40425	KNOB, 3-PRONG W/ 3/8-16X5/8 STUD	1
18	42015	BLOCK, CUT GUIDE	1
19	41104	BRACKET, CUT GUIDE	1
20	10801	WASHER, LOCK 5/16	1
21	10053	SCREW, CAP 5/16-18X3/4	1

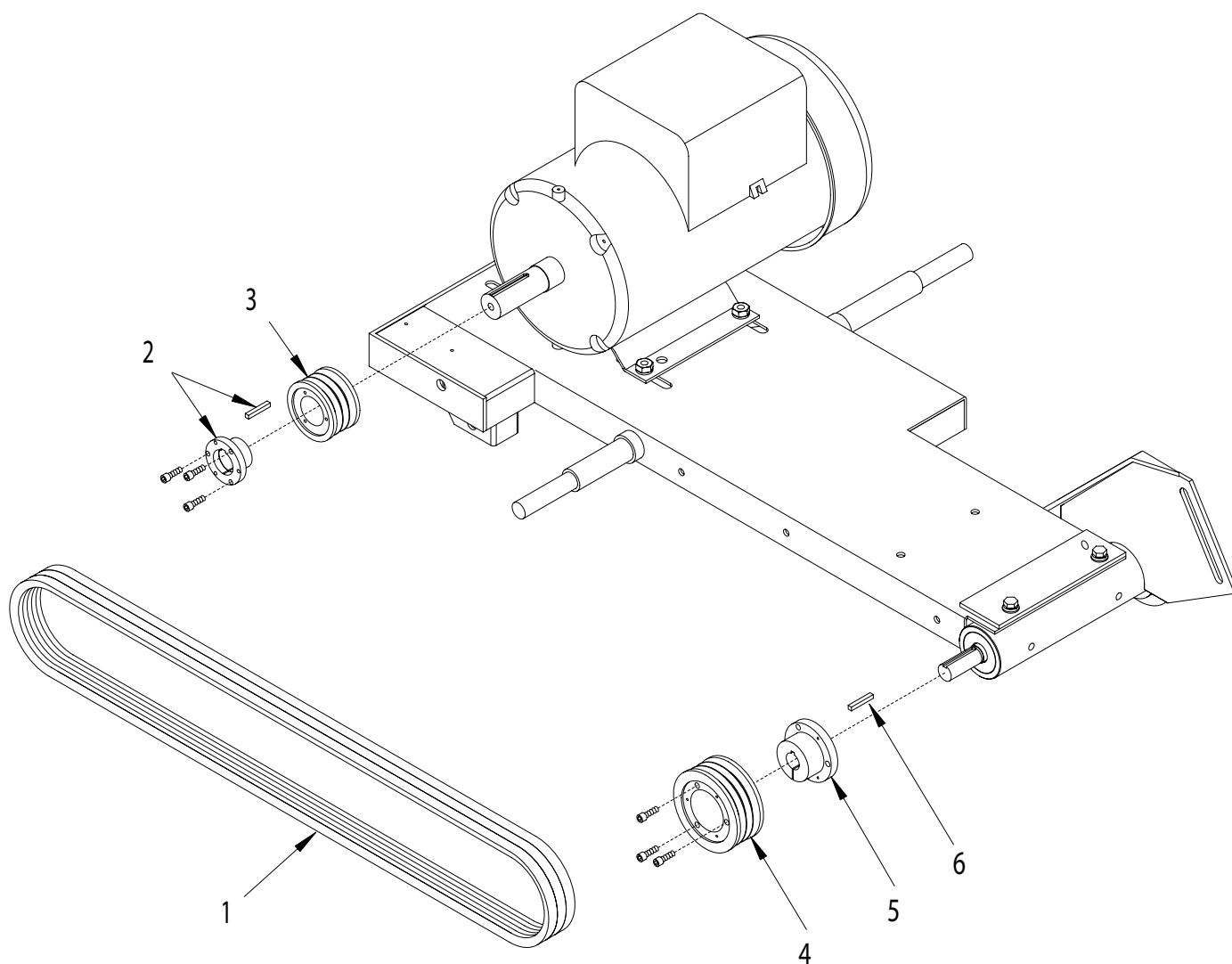


ILLUSTRATION 6 : MAIN DECK ASSEMBLY GROUPING



ITEM#	PART#	DESCRIPTION	QTY.	ITEM#	PART#	DESCRIPTION	QTY.
1	41112	DECK, MAIN	1	11	10602	WASHER, FLAT 1/4	3
2	10156	NUT, HEX NYLOCK 3/8-16, NE SERIES	1	12	10861	NUT, KEPS 1/4-20	3
3	41109	TENSIONER	1	13	41120	SHAFT, PIVOT	1
4	10025	WASHER, FLAT 3/8	2	14	10332	SCREW, CAP 5/16-24x1	4
5	28025	BOLT, TAP 3/8-16 X 3 (FULL THREAD)	1	15	10801	WASHER, LOCK 5/16	4
6	10807	NUT, LOCK 5/16-18	3	16	10213	WASHER, FLAT 5/16	4
7	41111	BRACKET, BELT COVER	1	17	41113	ARBOR ASSY. COMPLETE	1
8	41110	COVER, BELT	1	18	10428	COLLAR, LOCKING 3/4" ID	2
9	10213	WASHER, FLAT 5/16	6				
10	10053	SCREW, CAP 5/16-18x3/4	2				
	10806	SCREW, CAP 5/16-18x1	1				



ILLUSTRATION 7 : BELT DRIVE GROUPING


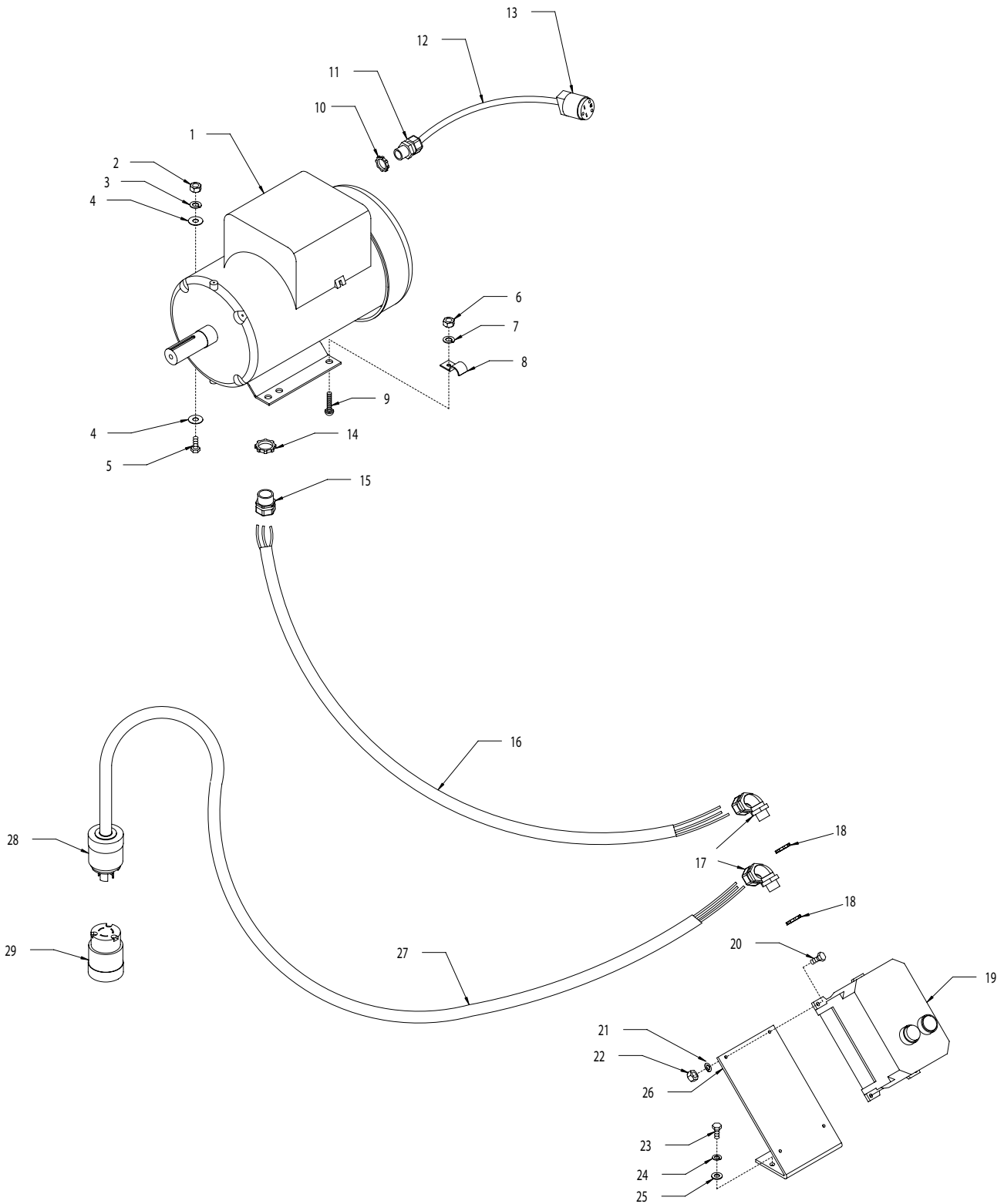
ITEM#	PART#	DESCRIPTION	QTY.
1	10257	BELT 3VX-630	3
2	10533	BUSHING, SHEAVE JAx1-1/8" BORE (INCLUDES KEY)	1
3	10534	SHEAVE 2.65"ODx3GR.3VxJA	1
4	10539	SHEAVE 3.65"OD X 3GR.3V X SH	1
5	10532	BUSHING, SHEAVE SH X 3/4"BORE	1
6	10060	KEY 3/16 SQ X 1-1/4	1



100 Thomas Johnson Drive, Frederick, MD 21702-4600 USA
 Phone (301) 663-1600 • 1-800-638-3326
 Fax (301) 663-1607 • 1-800-447-3326
 Website: www.edcoinc.com • Email: sales@edcoinc.com

Printed in USA
 ©2004

ILLUSTRATION 8 : POWER OPTION GROUPING



PARTS LISTING - ILLUSTRATION 8 : POWER OPTION GROUPING			
ITEM#	PART#	DESCRIPTION	QTY.
1		MOTOR, BALDOR	1
	81026	5HP-1 PHASE-60HZ-230V-3450 RPM	
	81022	5HP-3 PHASE-60HZ-230/460V-3450 RPM	
	16002	7.5HP-3 PHASE-60HZ-230/460V-3450 RPM	
2	10014	NUT 3/8-24	2
3	10811	WASHER, LOCK 3/8	2
4	10025	WASHER, FLAT 3/8	4
5	10309	SCREW, CAP 3/8-24x1-1/4	2
6	10404	NUT 3/8-16	2
7	10811	WASHER, LOCK 3/8	2
8	41124	CLAMP, CONDUIT 1/2" EMT (SNAP TRAP)	2
9	10802	BOLT, CARRIAGE 3/8-16x1	2
10	10790	CONDUIT LOCK NUT 1/2 NPT	1
11	40066	STRAIN RELIEF 1/2 NPTx.350-.450"	1
12	41129	WIRE HARNESS 16/3x15"LOA	1
13	41119	PLUG CONNECTOR 15A/250V	1
14	10740	CONDUIT LOCK NUT 3/4 NP	1
15	10959	STRAIN RELIEF 3/4 NPTx.550-.650"	1
16	41125	WIRE HARNESS 10/3x55", 1-PHASE	1
	41126	WIRE HARNESS 10/4x55", 3-PHASE	1
17	10984	CONN., LIQUID TITE 90D X 3/4NPT	2
18	10740	CONDUIT LOCK NUT 3/4 NPT	2
19		STARTER, LOVATO	1
	16410	11-M1-BRF-P30-26-23060 (5HP, 1-PH, 230V MOTORS)	
	16408	11-M1-BRF-P14-15-46060 (7.5HP, 3-PH, 460V MOTORS)	
	16406	11-M1-BRF-P14-10-46060 (5HP, 3-PH, 460V MOTORS)	
	16405	11-M1-BRF-P23-23-23060 (5HP, 3-PH, 230V MOTORS)	
20	10362	SCREW, MACHINE 8-32x3/4	4
21	10461	WASHER, LOCK INT. TOOTH #8	4
22	10462	NUT 8-32	4
23	10053	SCREW, CAP 5/16-18x3/4	2
24	10801	WASHER, LOCK 5/16	2
25	10213	WASHER, FLAT 5/16	2
26	41134	MOUNT, LOVATO STARTER	1
27	41127	WIRE HARNESS 10/3x50", 1-PHASE	1
	41128	WIRE HARNESS 10/4x50", 3-PHASE	
*28	40037	PLUG, LOCKING 20A/250V	1
*29	40000	PLUG CONNECTOR, LOCKING 20A/250V	1
*NOTE: PLUG AND CONNECTOR (ITEMS 28 & 29) ARE NOT INCLUDED WITH THREE PHASE UNITS			



LIMITED EQUIPMENT WARRANTY

Equipment Development Company, Inc. herein referred to as EDCO warrants that each new unit manufactured by EDCO to be free from defects in material and workmanship in normal use and service for a period of (1) one year (except in the case of the cutter drum assembly on all model concrete asphalt planes, in which case the warranty period shall be 90 days) from date of shipment to the original retail or equipment rental center owner.

EDCO will, at its option, repair or replace, at the EDCO factory or at a point designated by EDCO any part, which shall appear to the satisfaction of EDCO inspection to have been defective in material or workmanship.

This warranty, does not apply to failure occurring as a result of abuse, misuse, negligent repairs, corrosion, erosion, normal wear and tear, alterations or modifications made to the product without express written consent of EDCO: or failure to follow the recommended operating practices and maintenance procedures as provided in the products operating and maintenance manuals.

This warranty does not obligate EDCO to bear any transportation charges in connection with the replacement or repair of defective parts. This warranty does not obligate EDCO to bear any expense for travel time or of personnel in connection with any service calls.

Accessories or equipment furnished and installed on the product by EDCO but manufactured by others, including but not limited to engines, motors, electrical equipment, transmissions, etc., shall carry the accessory manufacturers' own warranty.

THIS WARRANTY IS IN LIEU OF ALL OTHER WARRANTIES, EXPRESSED OR IMPLIED, OR STATUTORY, INCLUDING ANY WARRANTIES OF MERCHANTABILITY OR OF FITNESS FOR A PARTICULAR PURPOSE.

LIABILITY LIMITATIONS

The remedies of the user set forth under provisions of warranty outlined above are the exclusive and total liability of EDCO with the respect to their sale or the equipment and service furnished hereunder, in connection with the performance or breach thereof, or from the sale, delivery, installation, repair or technical direction covered by or furnished under the sale, whether based on contract, warranty, negligence, indemnity, strict liability, or otherwise shall not exceed the purchase price of the unit of equipment upon which such liability is based.

EDCO will not in any event be liable to the user, any successors in interest or any beneficiary or assignee relating to this sale for any consequential, incidental, indirect, special or punitive damages arising out of this sale or any breach thereof, or any defects on, or failure of, or malfunction of the equipment under this sale based upon loss of use, lost profits or revenue, interest, lost goodwill, work stoppage, impairment of other goods, loss by reason of shutdown or non-operation, increased expenses of operation of the equipment, cost of purchase or replacement power of claims of users or customers of the user for service interruption whether or not such loss or damage is based on contract, warranty, negligence, indemnity, strict liability, or otherwise.

EDCO reserves the right to modify, alter and improve any part or parts without incurring any obligation to replace any part or parts previously sold without such modified, altered or improved part or parts.

No person is authorized to give any other warranty or to assume any additional obligation on EDCO's behalf unless made in writing and signed by an officer of EDCO.

Equipment Development Company, Inc.

USE ONLY GENUINE EDCO PARTS AND ACCESSORIES

For your own safety, the safety of others and the life of your machine

