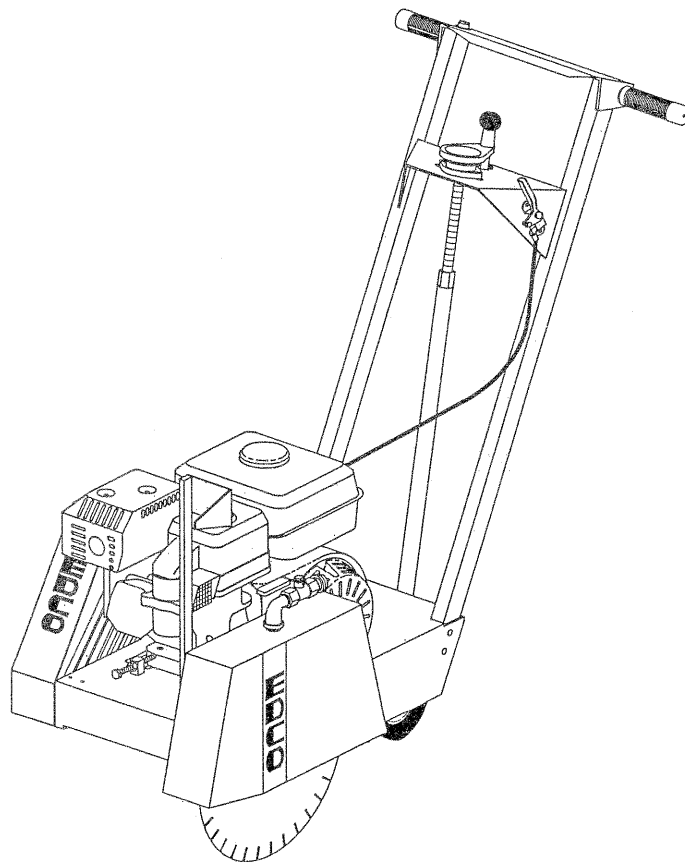


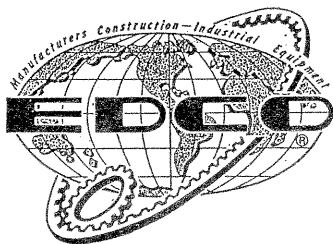
REVISED SEPTEMBER 1994
STARTING SERIAL NO. 1819

CONCRETE / ASPHALT SAW

PARTS LIST MANUAL



MODEL SK-14 "UP-CUT"



EQUIPMENT DEVELOPMENT COMPANY, INC.

100 THOMAS JOHNSON DRIVE, FREDERICK, MARYLAND 21702-4305 USA

PHONE (301)663-1600

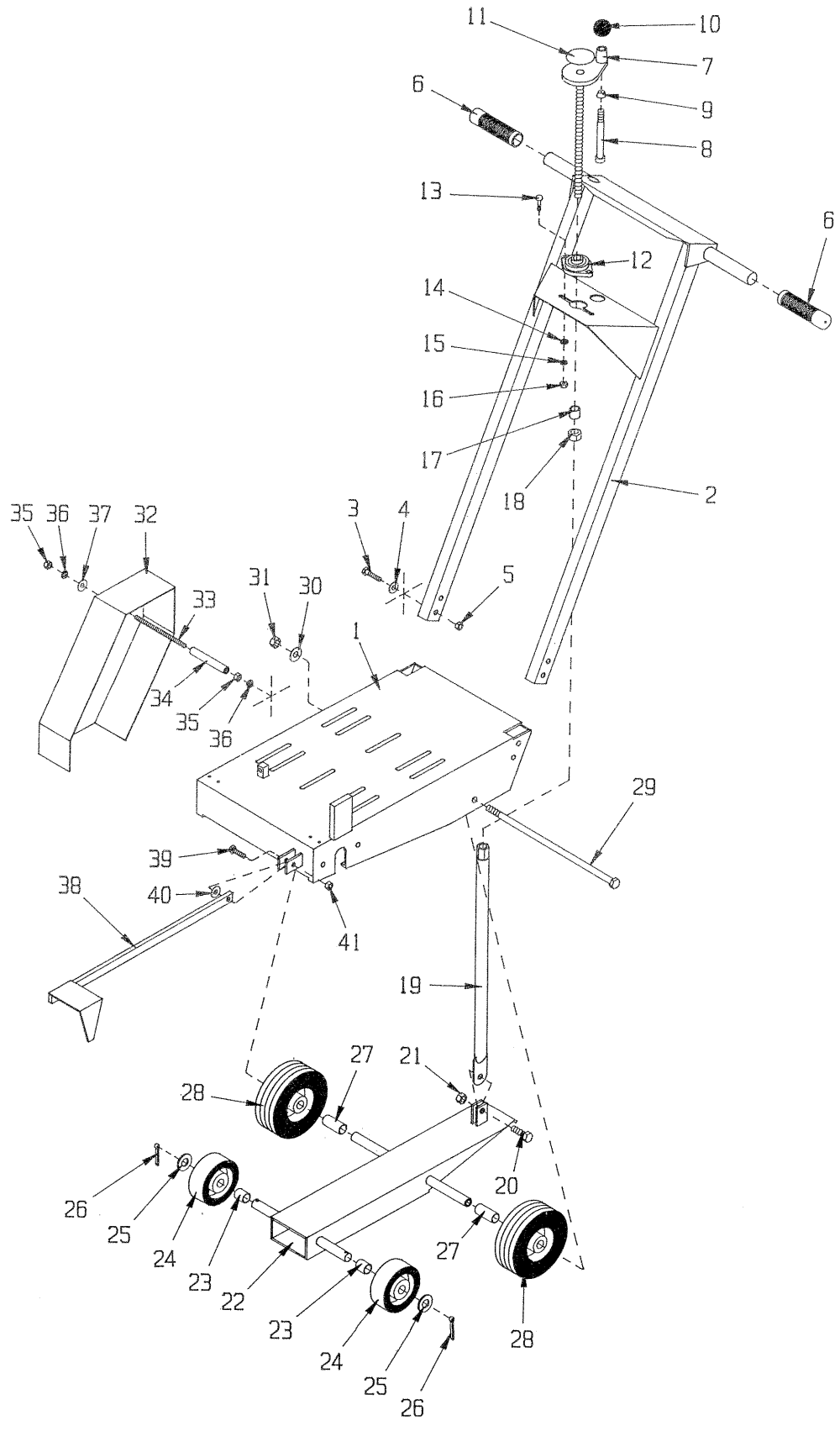
TOLL FREE 1-800-638-3326

FAX (301)663-1607

FAX FREE 1-800-447-3326

PRINTED IN U.S.A.

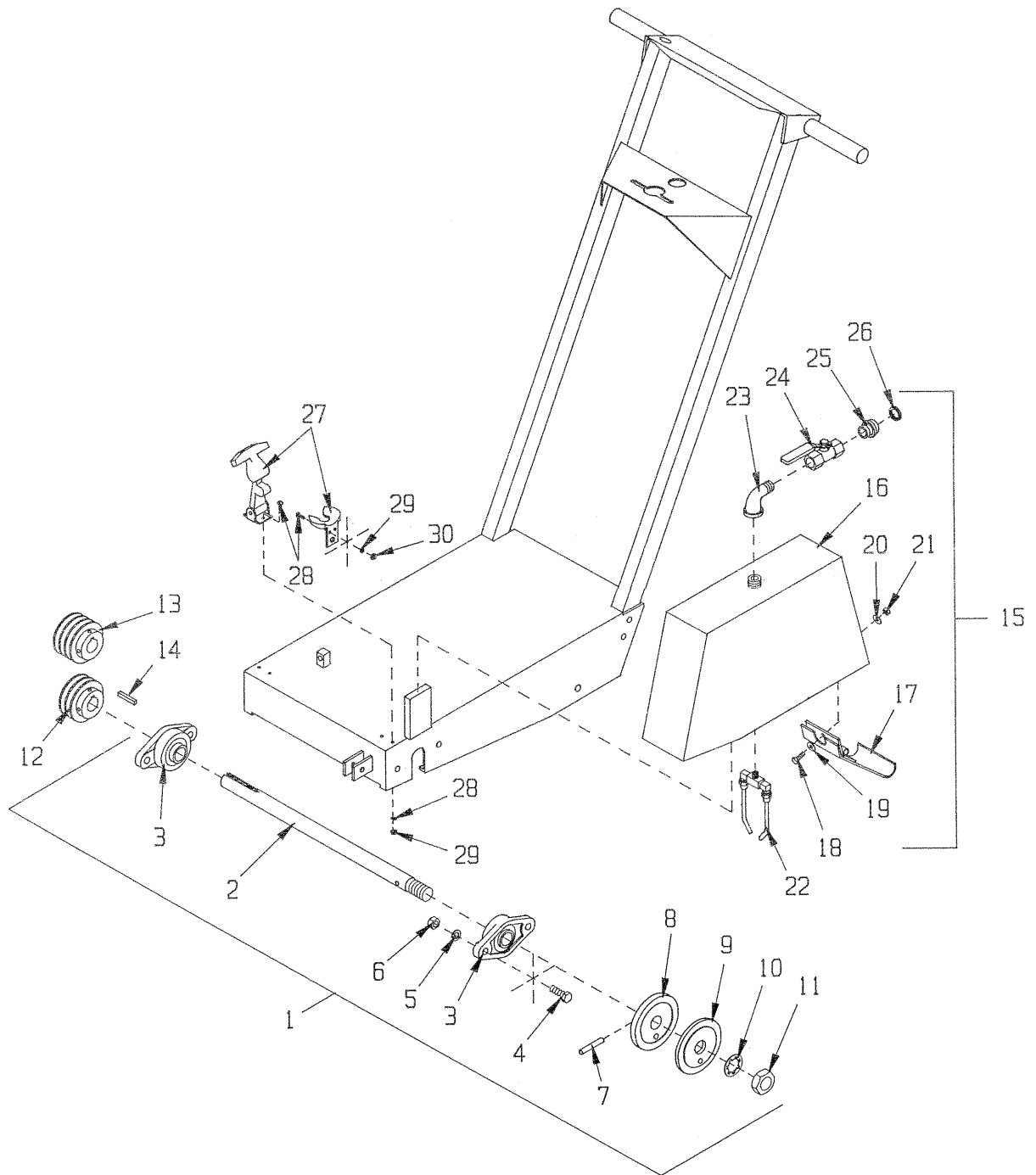
ILLUSTRATION 1: FRAME GROUPING



PARTS LISTING - ILLUSTRATION 1: MAIN FRAME GROUPING

Item #	Part #	Description	Qty.
1	52051	Main Frame (Up-Cut)	1
2	52021	Handle Bar	1
3	10816	Screw, Cap 3/8-24 x 1-1/2	4
4	10025	Washer, Flat 3/8	4
5	10004	Nut, Lock 3/8-24	4
6	79022	Grip, Hand 1" Model RG	2
7	80008	Handwheel, Small w/ 5/8-11 x 12" Rod	1
8	10411	Screw, Skt. Hd. Cap 1/2-13 x 4	1
9	50550	Sleeve For 1/2" Capscrew, Tapered	1
10	14023	Knob, Ball 1-3/8" Dia. w/ 1/2-13 Thd.	1
11	80007	Decal, "Cut-Control" (Small)	1
12	80009	Bearing, Ball 5/8" 2-Hole Flange	2
13	10412	Bolt, Carriage 1/4-20 x 1	2
14	10602	Washer, Flat 1/4	2
15	10038	Washer, Lock 1/4	2
16	10013	Nut 1/4-20	2
17	55010	Spacer, Handwheel 5/8" I.D. x 3/4	1
18	10046	Nut 5/8-11	1
19	52016	Linkage, Cut-Control	1
20	10308	Screw, Cap 1/2-20 x 1-1/2	1
21	10205	Nut, Lock 1/2-20	1
22	52004	Fork	1
23	52010	Spacer, Front Wheel 3/4 I.D. x 15/16	2
24	52001	Wheel, Alum. 4 x 1-1/2 x 3/4" Brg.	2
25	10009	Washer, Flat 3/4	2
26	10306	Pin, Cotter 3/16 x 1-1/2	2
27	52011	Spacer, Rear Wheel 3/4 I.D. x 1-7/8	2
28	80028	Wheel 6 x 2 x 3/4" Brg.	2
29	52014	Screw, Cap 1/2-13 x 14	1
30	10312	Washer, Flat 1/2	1
31	10407	Nut, Lock 1/2-13	1
32	52053	Cover, Belt (Up-Cut)	1
33	52013	Stud, Belt Cover 3/8-16 x 5-1/2	3
34	52012	Spacer, Belt Cover 3/8 I.D. x 3-13/16	3
35	10404	Nut 3/8-16	6
36	10811	Washer, Lock 3/8	6
37	10025	Washer, Flat 3/8	3
38	69004	Guide Bar (Up-Cut)	1
39	10309	Screw, Cap 3/8-24 x 1-1/4	1
40	10025	Washer, Flat 3/8	1
41	10004	Nut, Lock 3/8-24	1

ILLUSTRATION 2: ARBOR & BLADE GUARD GROUPING



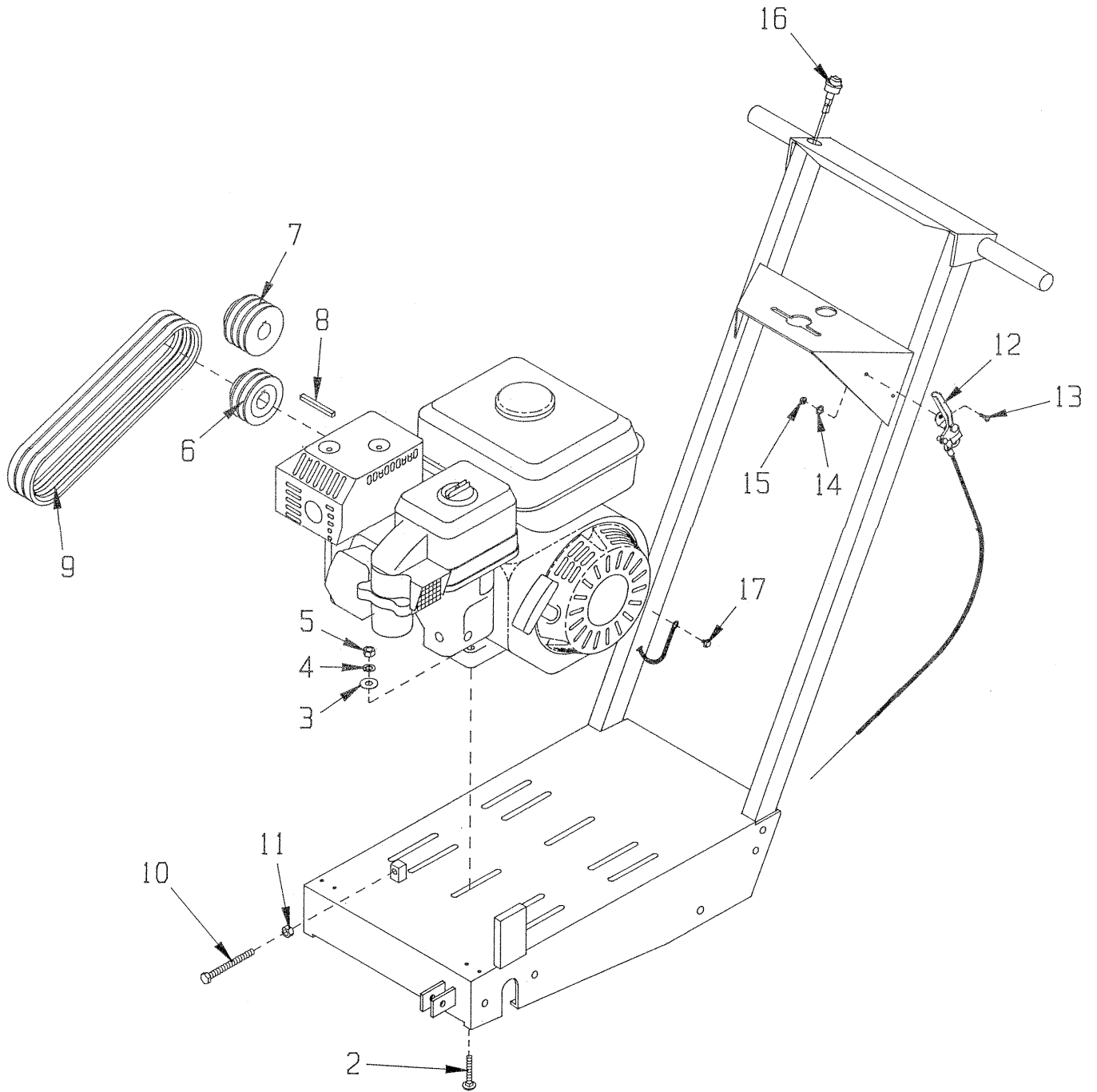
PARTS LISTING - ILLUSTRATION 2: ARBOR & BLADE GUARD GROUPING

Item #	Part #	Description	Qty.
1	69050A	Arbor Assembly Complete Includes Items 2 thru 11	
2	69050	Arbor Shaft 1"Dia. x 18-1/2"L.	1
3	62022	Bearing, Ball 1" 2-Hole Flange	2
4	10003	Screw, Cap 7/16-20 x 1-1/4	4
5	10450	Washer, Lock 7/16	4
6	10481	Nut 7/16-20	4
7	10211	Pin, Roll 5/16 x 2	1
* 8	56026	Arbor Backing Plate 4"Dia.	1
* 9	56025	Arbor-Blade Retaining Cap 4"Dia.	1
10	55009	Washer, Lock, Int. Tooth 1"	1
11	50019	Nut, Jam 1-14	1
*12	10109	Sheave, 3"O.D. x 2Gr.A x 1"Bore	1
*13	80027	Sheave, 3"O.D. x 3Gr.A x 1"Bore	1
14	10301	Key 1/4 Sq. x 1-1/2	1
15	52052A	Blade Guard Assembly Complete (Up-Cut) (Includes Items 16 thru 26)	
16	52052	Guard, Blade 14" (Up-Cut)	1
17	52020	Guard, Steel Flap (Optional)	1
18	10018	Screw, Cap 1/4-20 x 3/4	1
19	10602	Washer, Flat 1/4	1
20	10038	Washer, Lock 1/4	1
21	10013	Nut 1/4-20	1
22	81004	Nozzle, Coolant	1
23	10724	Elbow, Street 1/2 NPT x 90 (Black)	1
24	10711	Valve, Ball 1/2 FPT	1
25	80021	Conn., Swivel Female 3/4 Hose x 1/2 MPT	1
26	10070	Washer, Hose 3/4	1
27	52002	Latch, Flexible Draw w/ T-Handle	1
28	10830	Screw, Machine 10-32 x 1/2	4
29	10831	Washer, Lock, Int. Tooth #10	4
30	10832	Nut 10-32	4

* Notes:

1. Honda 11 HP engines use a 3-belt, A-style groove sheave (Item 13). All other units require a 2-belt, A-style groove sheave (Item 12).
2. Starting Aug. 1993 (Serial No. 1374) Arbor Blade Retaining Cap (Item 9) and Backing Plate (Item 8) were changed from 3-1/2"Dia. to 4"Dia.

ILLUSTRATION 3: ENGINE GROUPING



PARTS LISTING - ILLUSTRATION 3: ENGINE GROUPING

Item #	Part #	Description	Qty.
1		Engine	1
	76025	Honda 8 HP GX240 (Shown)	
	15015	Kohler 8 HP Magnum M8T	
	4853	Briggs & Stratton 8 HP	
	79045	Honda 11 HP GX340	
2	10918	Bolt, Carriage 5/16-18 x 1-3/4	4
3	10213	Washer, Flat 5/16	4
4	10801	Washer, Lock 5/16	4
5	10054	Nut, 5/16-18	4
*6	10109	Sheave 3"O.D. x 2Gr.A x 1"Bore	1
*7	80027	Sheave 3"O.D. x 3Gr.A x 1"Bore	1
8	10301	Key 1/4 Sq. x 1-1/2	1
9	10253	Belt, AP-27 (8 HP)	2
	10253	Belt, AP-27 (11 HP)	3
10	52015	Bolt, Tap 3/8-16 x 3-1/2 (Full Thd.)	1
11	10404	Nut 3/8-16	1
12	3611	Cable, Throttle, Lever-Type 54" (Note: Trim to appropriate length)	1
13	10830	Screw, Mach. 10-32 x 1/2	2
14	10831	Washer, Int. Tooth #10	2
15	10832	Nut 10-32	2
16	50010	Switch Kit, Stop Button	1
17	10877	Screw, Self-Tap Hex Washer 10-24 x 1/2	1

* Notes:

1. Honda 11 HP engines use 3-belt, A-style groove sheave. (Item 7). All other units require a 2-belt, A-style groove sheave (Item 6).