

REVISED STARTING SERIAL #060210009

PARTS LIST MANUAL

Model SS-20



20" CONCRETE/ASPHALT SELF-PROPELLED SAWS

SKU NO.	MODEL NO.	POWER OPTION
32600	SS20-20H	HONDA ENGINE 20HP GX620-K1TZF2
34700	SS20-24H	HONDA ENGINE 24 HP GX670-TXA2
32700	SS20-20KC	KOHLER ENGINE 20HP COMMAND CH20S
33200-230	SS20-7.5B/230/3	BALDOR MOTOR 7.5HP-3PH 60HZ 1725RPM
33200-460	SS20-7.5B/460/3	BALDOR MOTOR 7.5HP-3PH 60HZ 1725RPM
33200-50/220	SS20-7.5B/50/220/3	BALDOR MOTOR 7.5HP-3PH 50HZ 1725RPM
33200-50/380	SS20-7.5B/50/380/3	BALDOR MOTOR 7.5HP-3PH 50HZ 1725RPM
33200-50/440	SS20-7.5B/50/440/3	BALDOR MOTOR 7.5HP-3PH 50HZ 1725RPM
33100-230	SS20-10B/230/3	BALDOR MOTOR 10HP-3PH 60HZ 2850RPM
33100-460	SS20-10B/460/3	BALDOR MOTOR 10HP-3PH 60HZ 2850RPM
33100-50/380	SS20-10B/50/380/3	BALDOR MOTOR 10HP-3PH 50HZ 2850RPM
33100-50/440	SS20-10B/50/440/3	BALDOR MOTOR 10HP-3PH 50HZ 2850RPM



100 Thomas Johnson Drive, Frederick, MD 21702-4600 USA
 Phone (301) 663-1600 • 1-800-638-3326
 Fax (301) 663-1607 • 1-800-447-3326
 Website: www.edcoinc.com • Email: sales@edcoinc.com

Printed in USA
 ©2006

READ AND UNDERSTAND THE OPERATORS INSTRUCTION MANUAL THOROUGHLY BEFORE ATTEMPTING TO OPERATE THIS EQUIPMENT. Death or serious injury could occur if this machine is used improperly.



SAFETY MESSAGES



The safety instructions are preceded by a graphic alert message of DANGER, WARNING, or CAUTION.



Indicates an imminent hazard which, if not avoided, will result in death or serious injury.



Indicates an imminent hazard which, if not avoided, can result in death or serious injury.



Indicates hazards which, if not avoided, could result in serious injury and or damage to the equipment.

GASOLINE Powered Equipment



- Do not operate gasoline powered equipment without adequate ventilation. Carbon monoxide is an invisible, odorless gas that can kill.

ELECTRICAL Powered Equipment



- ELECTRICAL HAZARD** - Be sure equipment is properly grounded. Failure to comply could kill or result in serious injury.



The engine exhaust from this product contains chemicals known to the State of California to cause cancer, birth defects or other reproductive harm.

GENERAL INSTRUCTIONS



- You must read and understand the operators instruction manual and all other manuals associated with this machine. For your safety and the safety of others around you, it is extremely important to fully understand how to operate this machine in the way it was intended. Different model machines or older/newer versions of the same model may have different parts and controls that you need to understand. If instructions are not readable or available DO NOT USE this machine and contact the factory for a replacement Manual.
- You must be able to physically handle the bulk weight and power of this machine. If not properly controlled this machine can cause death or serious injury.
- Do not operate this machine in an impaired mental state. You must be able to exercise good judgement and reactions to maintain a safe working environment.
- This is a "one person" machine which means only one operator can be operating the machine at any one time. For the safety of others, maintain a safe operating distance to other personnel. Your work area should be defined and appropriately marked so bystanders and coworkers do not stand or walk near this machine and end up seriously injured by flying debris or exposing them to harmful noise or dust.
- This equipment is for Commercial use. Although this is a "one person" machine your work team should understand how to shut this machine off and quickly get medical help if an accident strikes the operator.
- Keep all guards in place during operation. The guards are to provide protection from inadvertent contact with dangerous moving parts, pinch points, or hot surfaces.
- Wear appropriate Personal Protective Equipment (PPE) including safety glasses, safety boots, work gloves, respiratory protection, hearing protection, and head protection. Do not wear loose clothing that can get tangled in moving parts. Failure to do so could result

in dismemberment or death. **Wear an approved respirator when removing hazardous materials or when grinding/cutting dry materials. Some dust particles such as concrete dust can contain silicate particles which can cause silicosis (a very serious lung disease). Contact NIOSH or OSHA for further details. When wet grinding/cutting, avoid contact with the concrete/asphalt slurry which can cause serious skin irritations.**

- You must maintain this machine per the maintenance schedule in the operator manual. Remember before adjusting, servicing, or fueling this machine, disconnect the source of power to the machine by disconnecting the spark plug (Gas models), or by unplugging the electrical power cord (electric models) or air hose (Pneumatic models) AT THE MACHINE so you can assure yourself it remains unplugged while you are working on it. Do not modify this machine. Use only genuine EDCO parts and accessories. Repairs and service should be performed by approved EDCO dealers or authorized technicians.
- You should look carefully around the area before you begin work so you can identify potential hazards such as deck inserts, pipes, columns, openings, electrical cords or outlets, or any other objects protruding from the slab surface.
- This machine has no brain so you must use your own. There is no substitute for safety. The safety decals on the machine are to serve as a reminder for information you must already know before you begin using this machine. Take a moment to reread the safety decals each time you use the machine. If your machine is missing any decals, contact the factory for a replacement (EDCO 1-800-638-3326).

PARTS LIST MANUAL

MODEL SS-20

<u>Section</u>	<u>Page Number</u>
Safety Messages and General Instructions	2
How To Order Replacement Parts	3
Illustration 1: Frame Grouping	4,5
Illustration 2: Arbor & Blade Guard Grouping	6,7
Illustration 3: Transmission Grouping	8,9
Illustration 4: Honda Engine Grouping	10,11
Illustration 5: Kohler Engine Grouping	12,13
Illustration 6: Electric Motor Grouping	14,15
Illustration 7: Belt Drive Grouping	16,17
Illustration 8: Blade Depth Gauge Grouping	18,19
Illustration 9: Optional Water Pump Kit	20,21
Illustration 10: 20 HP Honda Wiring Diagram	22,23
Limited Equipment Warranty	Back Page

HOW TO ORDER REPLACEMENT PARTS

To insure product safety and reliability, always use genuine EDCO replacement parts when making repairs to the equipment.

When calling for parts, specify the MODEL and SERIAL NUMBER of the machine which can be found on the NAME PLATE. Keep that information in the space provided. In addition to this information, give part number, description and quantity as listed on the parts list to your parts representative.

Please note: Due to improvements and changes in the equipment, the illustrations shown may be different than the actual machine.

FILL IN INFORMATION BELOW

Date of Purchase _____

Name of Machine _____

Model # _____

Serial # _____

Belt Size(s) _____

Toll Free: 1-800-638-3326

FAX: 1-800-447-3326

email: sales@edcoinc.com

www.edcoinc.com



100 Thomas Johnson Drive, Frederick, MD 21702-4600 USA

Phone (301) 663-1600 • 1-800-638-3326

Fax (301) 663-1607 • 1-800-447-3326

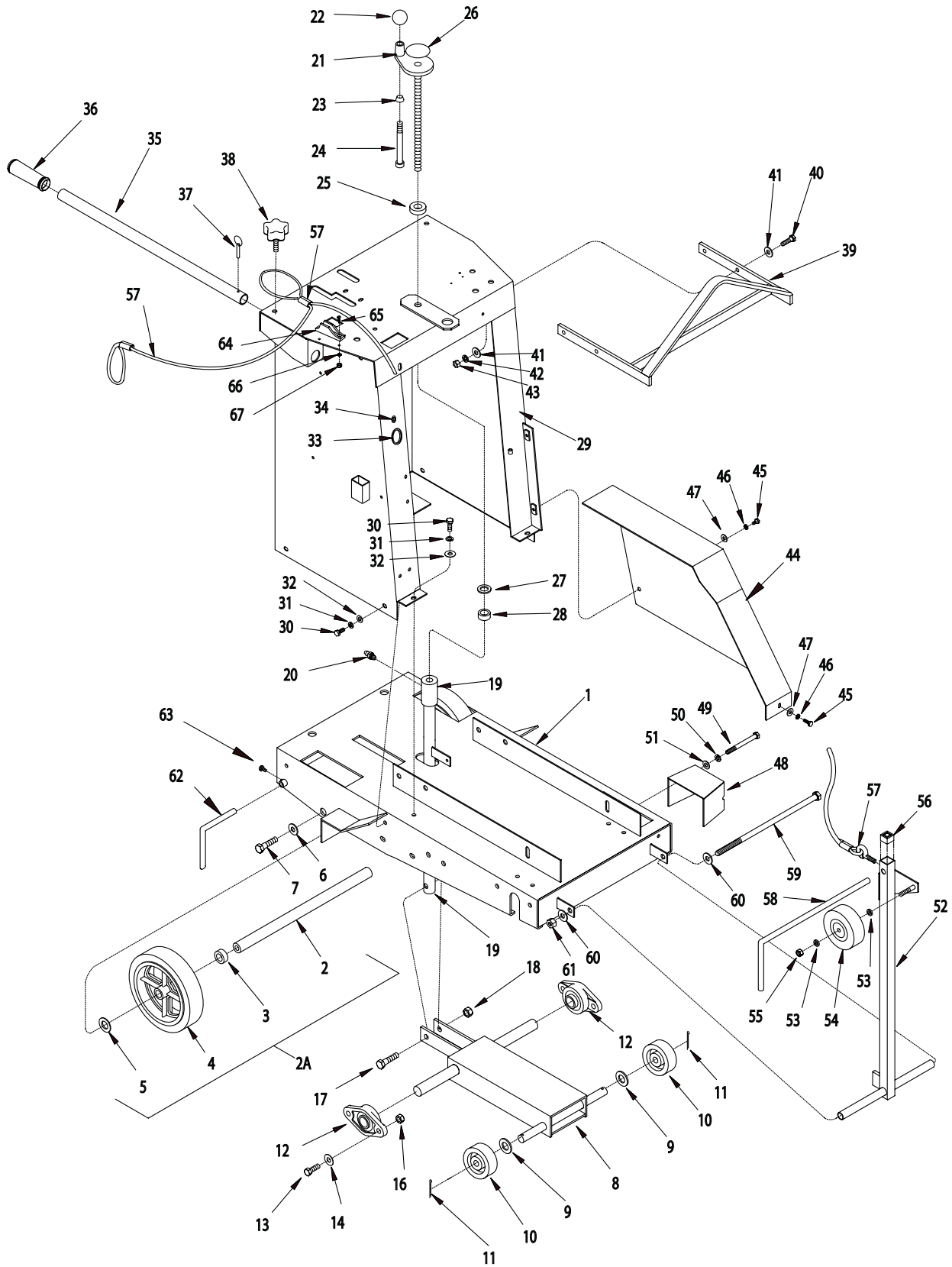
Website: www.edcoinc.com • Email: sales@edcoinc.com

Printed in USA

©2006

Page 3

ILLUSTRATION 1 : FRAME GROUPING



PARTS LISTING - ILLUSTRATION 1: FRAME GROUPING

ITEM #	PART #	DESCRIPTION	QTY.	ITEM #	PART #	DESCRIPTION	QTY.
1	51268	MAIN FRAME	1	35	51024	HANDLE BAR 24"	2
2A	51267A	AXLE & WHEEL SUBASSY. (INCLUDES ITEMS 2-7)	1	36	10608	GRIP, HAND 1" MODEL AT	2
				37	10145	PIN, DETENT RING 3/16 x 1-5/16 EFF. LG.2	
2	51267	AXLE 3/4DIA. X 17-3/8L	1	38	51230	KNOB,STAR CLAMPING (3/8-16x1 STUD) 2	2
3	10428	COLLAR, LOCKING 3/4" ID	2	39	51204	BAIL, LIFTING	1
4	51263	WHEEL 8 X 2 X 3/4"BRG, SBR RUBBER	2	40	10021	SCREW, CAP 3/8-24 x 1	4
5	11597	WASHER .755"ID X 1.25"OD X .060"THK	2	41	10025	WASHER, FLAT 3/8	8
6	10045	WASHER, LOCK 1/2	2	42	10811	WASHER, LOCK 3/8	4
7	10304	SCREW, CAP 1/2-20 X 1	2	43	10014	NUT 3/8-24	4
8	51202	FORK	1	44	51205	COVER, BELT - GASOLINE(SHOWN)	1
9	10009	WASHER, FLAT 3/4	2		51249	COVER, BELT - ELECTRIC	
10	52001	WHEEL 4 x 1-1/2 x 3/4" BRG., ALUM./RUB.	2	45	10018	SCREW, CAP 1/4-20 x 3/4	3
11	10306	PIN, COTTER 3/16 x 1-1/4	2	46	10038	WASHER, LOCK 1/4	3
12	62022	BEARING, BALL 1" 2-HOLE FLANGE	2	47	10602	WASHER, FLAT 1/4	3
13	10003	SCREW, CAP 7/16-20 x1-1/4	4	48	51206	COVER, ARBOR	1
14	10062	WASHER, FLAT 7/16	4	49	10318	SCREW, CAP 3/8-16 x 3-3/4	2
16	10153	NUT, HEX NYLON LOCK 7/16-20	4	50	10811	WASHER, LOCK 3/8	2
17	10347	SCREW, CAP 1/2-20 x 2-1/4	1	51	10025	WASHER, FLAT 3/8	2
18	10205	NUT, LOCK 1/2-20	1	52	56210	GUIDE BAR	1
19	51220	LINKAGE, CUT CONTROL	1	53	10025	WASHER, FLAT 3/8	2
20	10808	FITTING, GREASE 1/4-28 STRAIGHT	1	54	50024	WHEEL 4 x 1-3/8 x 3/8 BORE	1
21	51075	HANDWHEEL, LG. w/ 5/8-8 x 13" ROD	1	55	10152	NUT, HEX NYLON LOCK 3/8-24	1
22	14023	KNOB, BALL 1-3/8 DIA. w/ 1/2-13 THD.	1	56	51078	PLUG, SQ. TUBE 1 x 14 GA.	1
23	50550	SLEEVE FOR 1/2" CAPSCREW, TAPERED	1	57	51260	ROPE, GUIDE BAR	1
24	10346	SCREW, SKT. HD. 1/2-13 x 4-1/2	1			(INCLUDES EYE BOLTS)	
25	85005	BEARING, THRUST BALL 5/8	1	58	51012	GUIDE POINTER, FRONT	1
26	61106	DECAL, CUT CONTROL (LARGE) DN/UP	1	59	10421	SCREW, CAP 1/2-13 x 13	1
27	10073	WASHER, FLAT 5/8	1	60	10312	WASHER, FLAT 1/2 SAE	2
28	10096	COLLAR, LOCKING 5/8" ID	1	61	10407	NUT, LOCK 1/2-13	1
29	51203	CONSOLE	1	62	51011	GUIDE POINTER, REAR	1
30	10053	SCREW, CAP 5/16-18 x 3/4	8	63	10834	SCREW, CAP 1/4-20 x 1/2	2
31	10801	WASHER, LOCK 5/16	8	64	11591	ROPE CLEAT, NYLON JAM 3/16"-5/16"	1
32	10213	WASHER, FLAT 5/16	8	65	11594	SCREW, MACHINE 10-32 X 5/8, SLT.FLT	2
33	51253	GROMMET 1-45/64ID X 1/8GRV. X 2GD	1	66	10831	WASHER, LOCK, INT. TOOTH #10	2
34	57148	GROMMET 3/8"ID x 1/8"GRV. x 5/8"GD	1	67	10832	NUT 10-32	2



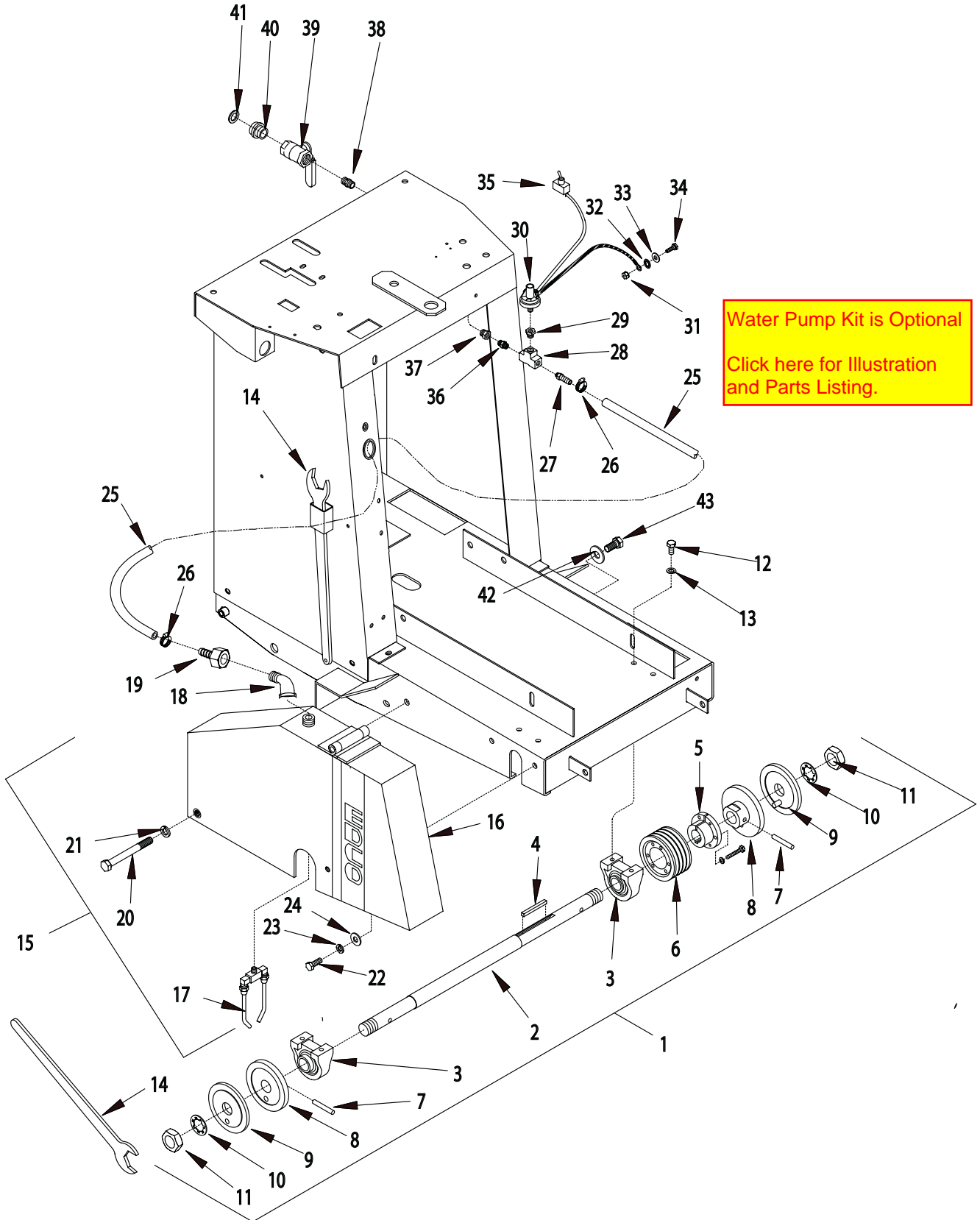
100 Thomas Johnson Drive, Frederick, MD 21702-4600 USA
 Phone (301) 663-1600 • 1-800-638-3326
 Fax (301) 663-1607 • 1-800-447-3326
 Website: www.edcoinc.com • Email: sales@edcoinc.com

Printed in USA

©2006

Page 5

ILLUSTRATION 2 : ARBOR & BLADE GUARD GROUPING



Water Pump Kit is Optional
Click here for Illustration
and Parts Listing.

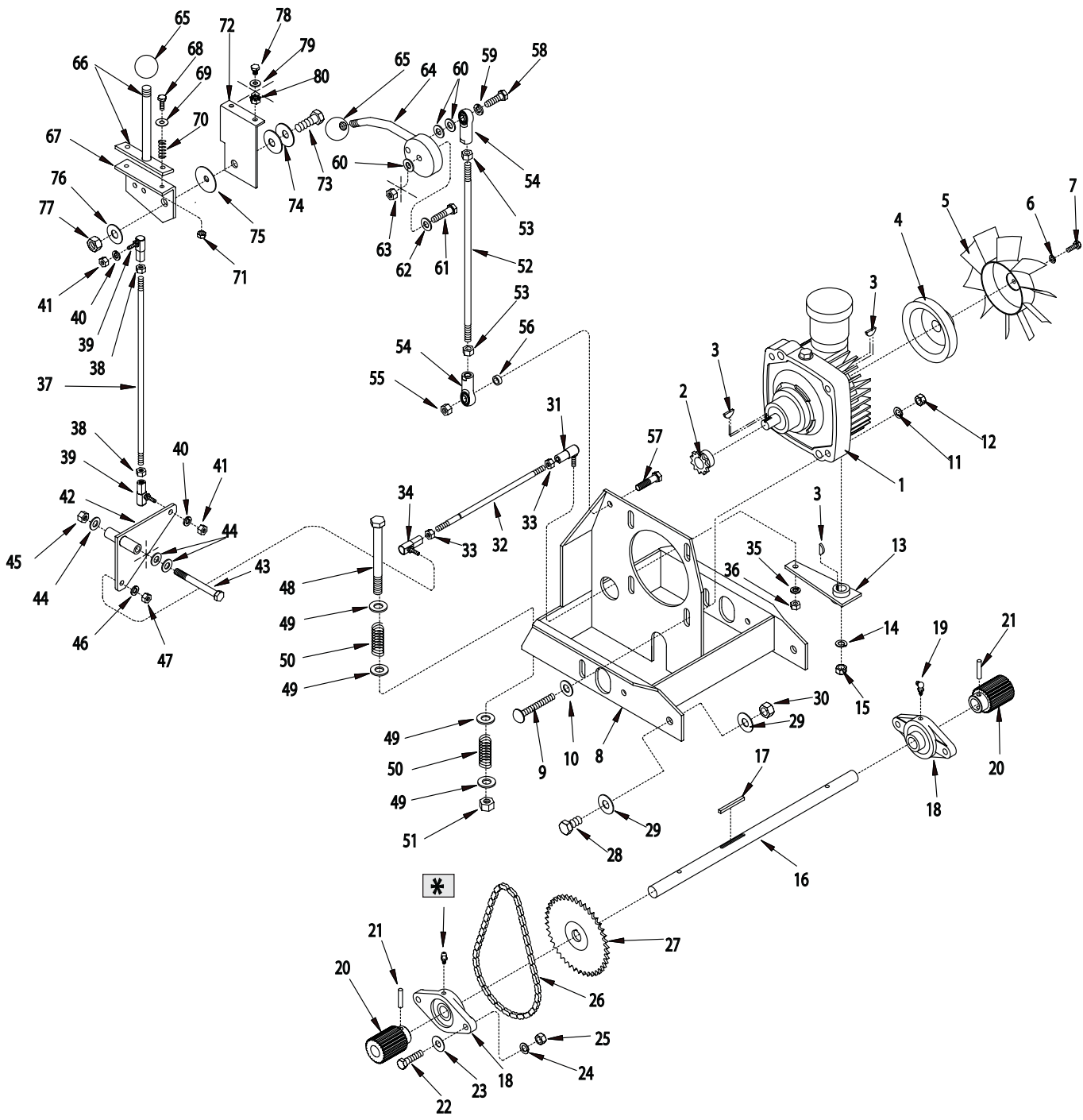


PARTS LISTING - ILLUSTRATION 2 : ARBOR & BLADE GUARD GROUPING

ITEM #	PART #	DESCRIPTION	QTY.	ITEM #	PART #	DESCRIPTION	QTY.
1	56208C	ARBOR ASSEMBLY (INCLUDES ITEMS 2 THRU 11)	1	22	10055	SCREW, CAP 3/8-16 x 1	1
2	56208	ARBOR SHAFT 23-3/8" L	1	23	10811	WASHER, LOCK 3/8	1
3	50222	BEARING, BALL 1" TAP PILLOW BLOCK	2	24	10025	WASHER, FLAT 3/8	1
4	10071	KEY 1/4" SQ. x 2-1/2	1	25	51222	HOSE, WATER 3/8" ID x 45" L	1
5	10076	BUSHING, SHEAVE SH x 1" BORE	1	26	50069	CLAMP, HOSE, SAE #6, ADJ. TO 13/16"	2
6	10504	SHEAVE 3.65" OD x 4Gr. 3V x SH	1	27	50075	BARB, 3/8" HOSE x 1/4 MPT (BRASS)	1
7	10211	PIN, ROLL 5/16 x 2	2	28	10719	PIPE TEE, FEMALE 1/4 NPT (BRASS)	1
8	56026	ARBOR BACKING PLATE 4" DIA.	2	29	10718	BUSHING, HEX 1/4 x 1/8 NPT (BRASS)	1
9	56025	ARBOR BLADE RETAINING CAP 4" OD w/ 1" HOLE	2	30	51030	SWITCH, PRESSURE, MAG. IGN. 76061-2 NC (GAS UNITS ONLY)	1
10	55009	WASHER, LOCK, INTERNAL TOOTH 1"	2	31	10861	NUT, KEPS 1/4-20	1
11	50019	NUT, JAM 1-14	2	32	10451	WASHER, LOCK, INT. TOOTH 1/4"	1
12	10907	SCREW, CAP 3/8-16 x 3/4	4	33	10602	WASHER, FLAT 1/4	1
13	10811	WASHER, LOCK 3/8	4	34	10018	SCREW, CAP 1/4-20 x 3/4	1
14	50445	WRENCH, ARBOR 1-1/2	2	35	10633	SWITCH, TOGGLE SPST (GAS ONLY)	1
15	51207C	BLADE GUARD SUBASSEMBLY (INCLUDES ITEMS 16 THRU 19)	1	36	10717	NIPPLE, HEX 1/4 NPT (BRASS)	1
16	51207	GUARD, BLADE 14 - 20"	1	37	51236	BUSHING, HEX 1/2 x 1/4 NPT (BRASS)	1
17	51026	NOZZLE, COOLANT	1	38	10679	NIPPLE, HEX 1/2 NPT (BRASS)	1
18	10724	ELBOW, STREET 1/2 NPT x 90° (BLACK)	1	39	10711	VALVE, BALL 1/2 FPT	1
19	10729	BARB, 3/8" HOSE x 1/2 FPT	1	40	80021	CONN., SWIVEL FEMALE 3/4 HOSE x 1/2 MPT	1
20	10409	SCREW, CAP 1/2-20 x 4-1/2	1	41	10070	WASHER, HOSE 3/4	1
21	10045	WASHER, LOCK 1/2	1	42	10312	WASHER, FLAT 1/2	1
				43	10304	SCREW, CAP 1/2-20 x 1	1



ILLUSTRATION 3 : TRANSMISSION GROUPING



* STRAIGHT GREASE FITTING INCLUDED W/ BEARING

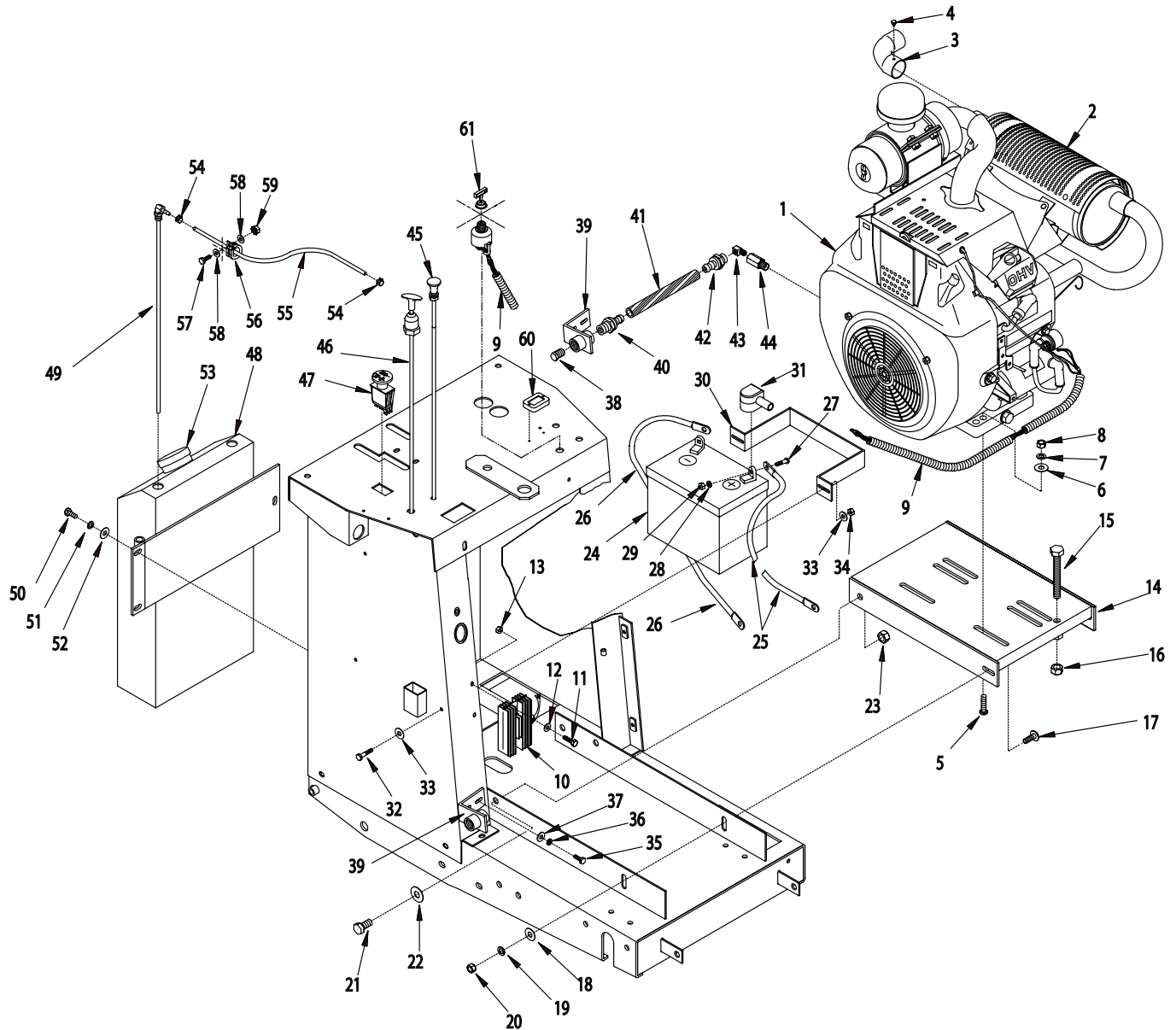


PARTS LISTING - ILLUSTRATION 3: TRANSMISSION GROUPING

ITEM #	PART #	DESCRIPTION	QTY.	ITEM #	PART #	DESCRIPTION	QTY.
1	50061	TRANSMISSION, HYDROSTATIC	1	41	10424	NUT 5/16-24	2
2	50048	SPROCKET #3511 x .67" BORE	1	42	51214	BELL CRANK, DRIVE LINKAGE	1
3	50071	KEY, WOODRUFF 1/8 x 1/2 (#404)	3	43	10382	SCREW, CAP 3/8-24 x 3-1/2	1
4	50062	SHEAVE, HYD.TRANS.4"OD x 1Gr.x.671B	1	44	10025	WASHER, FLAT 3/8	3
5	50266	FAN BLADE w/ PLATE 7", TRANSMISSION	1	45	10004	NUT, LOCK 3/8-24	1
6	10038	WASHER, LOCK 1/4	1	46	10801	WASHER, LOCK 5/16	1
7	10018	SCREW, CAP 1/4-20 x 3/4	1	47	10424	NUT 5/16-24	1
8	51209	MOUNT, TRANSMISSION	1	48	10376	SCREW, CAP 1/2-13 x 5	2
9	10909	BOLT, CARRIAGE 3/8-16 x 3	4	49	10312	WASHER, FLAT 1/2	8
10	10040	WASHER, GARRET 17/32 X 1 X .054	4	50	51035	SPRING, COMP. .828" OD x 2" FL	4
11	10811	WASHER, LOCK 3/8	4	51	10407	NUT, LOCK 1/2-13	2
12	10404	NUT 3/8-16	4	52	51216	LINKAGE, ROD 3/8 x 13" L	1
13	51223	TRANSMISSION CONTROL ARM	1	53	10014	NUT, 3/8-24	2
14	10811	WASHER, LOCK 3/8	1	54	10919	ROD END, FEMALE 3/8-24	2
15	10404	NUT 3/8-16	1	55	10004	NUT, LOCK 3/8-24	1
16	51217	JACKSHAFT 3/4 X 17" DIA.	1	56	10113	SPACER 9/16 OD x 3/8 ID x 7/32	1
17	10168	KEY 3/16" SQ. x 2	1	57	10309	SCREW, CAP 3/8-24 x 1-1/4	1
18	50049	BEARING, BALL 3/4" 2-HOLE FLANGE	2	58	10309	SCREW, CAP 3/8-24 x 1-1/4	1
19	10961	GREASE FITTING 1/4-28 x 90	1	59	10811	WASHER, LOCK 3/8	1
20	51264	DRIVER, REAR WHEEL, 1-5/8"OD 25T	2	60	10025	WASHER, FLAT 3/8	3
21	10024	PIN, ROLL 1/4" x 1-1/4"	2	61	10816	SCREW, CAP 3/8-24 x 1-1/2	1
22	10309	SCREW, CAP 3/8-24 X 1-1/4 PLATED	4	62	10025	WASHER, FLAT 3/8	2
23	10025	WASHER, FLAT 3/8	4	63	10004	NUT, LOCK 3/8-24	1
24	10811	WASHER, LOCK 3/8	4	64	51215	LEVER, CLUTCH	1
25	10014	NUT 3/8-24	4	65	14023	KNOB, BALL 1-3/8 W/ 1/2-13THD, BLK.	2
26	51266	CHAIN #35 X 24-1/2 + OL + CL	1	66	51210	LEVER, DRIVE	1
27	51265	SPROCKET #35B54 X 3/4"BORE W/ KW	1	67	51235	PLATE, DRIVE LEVER PRESSURE	1
28	10304	SCREW, CAP 1/2-20 x 1	1	68	10315	SCREW, CAP 1/4-20 X 1-1/2	2
29	10312	WASHER, FLAT 1/2	2	69	10602	WASHER, FLAT 1/4	2
30	10205	NUT, LOCK 1/2-20	1	70	57471	SPRING, COMP. .468"OD X 1.25"FL	2
31	10840	BALL JOINT ASSY. 5/16-24 R.H. THRD.	1	71	10015	NUT, LOCK 1/4-20	2
32	51213	LINKAGE, ROD 5/16 x 9" L	1	72	51211	MOUNT BRACKET, DRIVE LEVER	1
33	10424	NUT 5/16-24	2	73	10321	SCREW, CAP 1/2-20 x 1-1/4	1
34	10840L	BALL JOINT ASSY. 5/16-24 L.H. THRD.	1	74	10426	WASHER, BELLEVILLE 1/2ID X 3/64THK	2
35	10801	WASHER, LOCK 5/16	1	75	50428	WASHER, FIBER, 2-1/4 x 1/2 x 1/8	1
36	10424	NUT 5/16-24	1	76	10312	WASHER, FLAT 1/2 SAE	1
37	51212	LINKAGE, ROD 5/16 x 13" L	1	77	10205	NUT, LOCK 1/2-20	1
38	10424	NUT 5/16-24	2	78	10018	SCREW, CAP 1/4-20 x 3/4	2
39	10840	BALL JOINT ASSY. 5/16-24 R.H. THRD.	2	79	10602	WASHER, FLAT 1/4	2
40	10801	WASHER, LOCK 5/16	2	80	10150	NUT, HEX NYLON LOCK 1/4-20	2



ILLUSTRATION 4 : HONDA ENGINE GROUPING

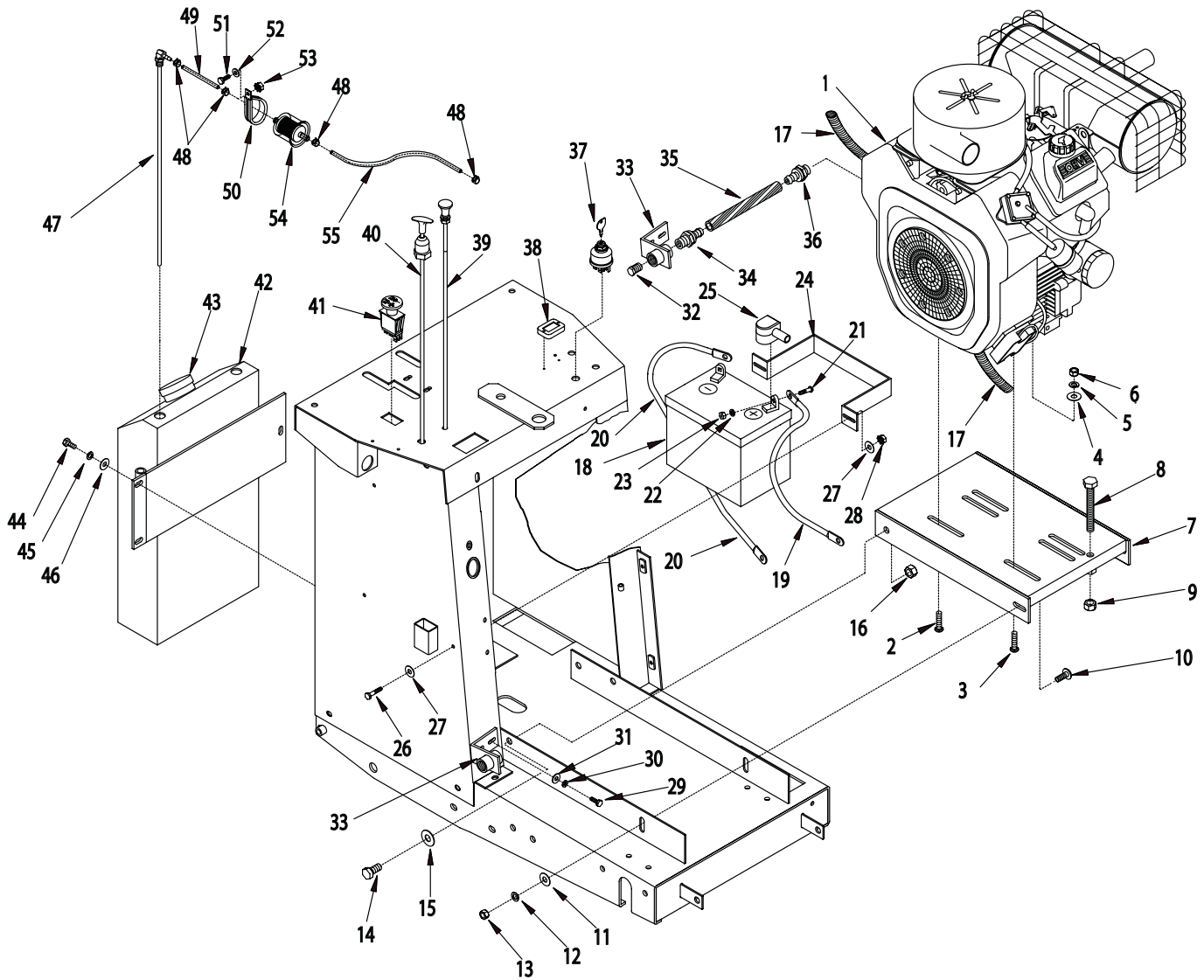


PARTS LISTING - ILLUSTRATION 4: HONDA ENGINE GROUPING

ITEM #	PART #	DESCRIPTION	QTY.	ITEM #	PART #	DESCRIPTION	QTY.
1	15056	ENGINE, HONDA 20HP GX620-K1TZF2	1	31	11583	INSULATOR, BAT.TERM. U-1 STYLE(RED)	1
		<i>REPLACEMENT PARTS INCLUDE:</i>		32	10905	SCREW, CAP 1/4-20 x 1-1/4	2
	15135	ELEMENT, AIR FILTER, HONDA GX620		33	10602	WASHER, FLAT 1/4	4
	15145	FILTER, OIL, HONDA GX620		34	10150	NUT, HEX NYLON LOCK 1/4-20	2
	15146	FILTER, FUEL, HONDA GX620		35	10018	SCREW, CAP 1/4-20 x 3/4	2
2	15168	MUFFLER, HONDA VHRM3	1	36	10038	WASHER, LOCK 1/4	2
3	51224	ELBOW, SOLDER JOINT 1-1/4 x 90°	1	37	10602	WASHER, FLAT 1/4	2
4	10877	SCREW, CAP STSHW 10-24 X 1/2	1	38	50552	PLUG, PIPE 1/2" NPT (BRASS)	1
5	10087	BOLT, CARRIAGE 3/8-16 x 1-3/4	4	39	57159	BRACKET, OIL DRAIN	1
6	10025	WASHER, FLAT 3/8	4	40	80061	BARB, PUSH-ON, 1/2" HOSE x 1/2 MPT	1
7	10811	WASHER, LOCK 3/8	4	41	51237	HOSE, PUSH-ON 1/2" ID x 7" L	1
8	10404	NUT 3/8-16	4	42	11579	BARB, PUSH-ON 1/2HOSE X 1/4MPT	1
9	51242	LOOM, WIRE FLEX 5/8 x 55"L	1	43	10716	ELBOW, STREET 1/4NPT X 45 (BRASS)	1
10	-----	RECTIF./REGULATOR (INCL.w/ ENG.)	1	44	11533	FITTING, ADAPTER 6-M14 x 1.5 to	1
11	10031	SCREW, CAP 1/4-20 x 1	2			1/4-18 MPT	
12	10602	WASHER, FLAT 1/4	4	45	15129	CABLE, CHOKE 72" (TRIM TO 36")	1
13	10150	NUT, HEX NYLON LOCK 1/4-20	2	46	51081	CABLE, TURN-TO-LOCK CONTROL 72"	1
14	51208	MOUNT, ENGINE	1			(TRIM TO 36")	
15	10392	BOLT, TAP 1/2-13 x 4 (FULL THREAD)	1	47	51225	SWITCH, EMERGENCY STOP	1
16	10417	NUT 1/2-13	1	48	51221	GAS TANK, 3 GAL. (INCL. ITEM # 53)	1
17	10802	BOLT, CARRIAGE 3/8-16 x 1	2	49	61058	TUBE, FUEL PICK-UP, 19"	1
18	10025	WASHER, FLAT 3/8	2	50	10053	SCREW, CAP 5/16-18 x 3/4	3
19	10811	WASHER, LOCK 3/8	2	51	10801	WASHER, LOCK 5/16	3
20	10404	NUT 3/8-16	2	52	10213	WASHER, FLAT 5/16	3
21	10304	SCREW, CAP 1/2-20 x 1"	2	53	61056	CAP, GAS TANK	1
22	10312	WASHER, FLAT 1/2	2	54	10762	CLAMP, HOSE SPRING-TYPE3/8" (GREEN)	2
23	10205	NUT, LOCK 1/2-20	2	55	51273	HOSE, FUEL 1/4" x 25" L	1
24	84011	BATTERY, 12 VOLT/300 CCA	1	56	11565	CLAMP, LOOM 5/8"	1
25	61064	CABLE, EYE-EYE 4Ga.x40"RED(POS.)	1	57	10018	SCREW, CAP 1/4-20 x 3/4	1
26	51233	CABLE, EYE-EYE 6Ga.x 20"BLACK(NEG.)	1	58	10602	WASHER, FLAT 1/4	2
27	10818	BOLT, CARRIAGE 5/16-18 x 3/4	2	59	10861	NUT, KEPS 1/4-20	1
28	10801	WASHER, LOCK 5/16	2	60	15138	METER, HOUR, REDINGTON INDUCTIVE	1
29	10054	NUT 5/16-18	2	61	-----	SWITCH, KEY, HONDA	1
30	50091	CLAMP, BATTERY HOLD-DOWN	1				



ILLUSTRATION 5 : KOHLER ENGINE GROUPING

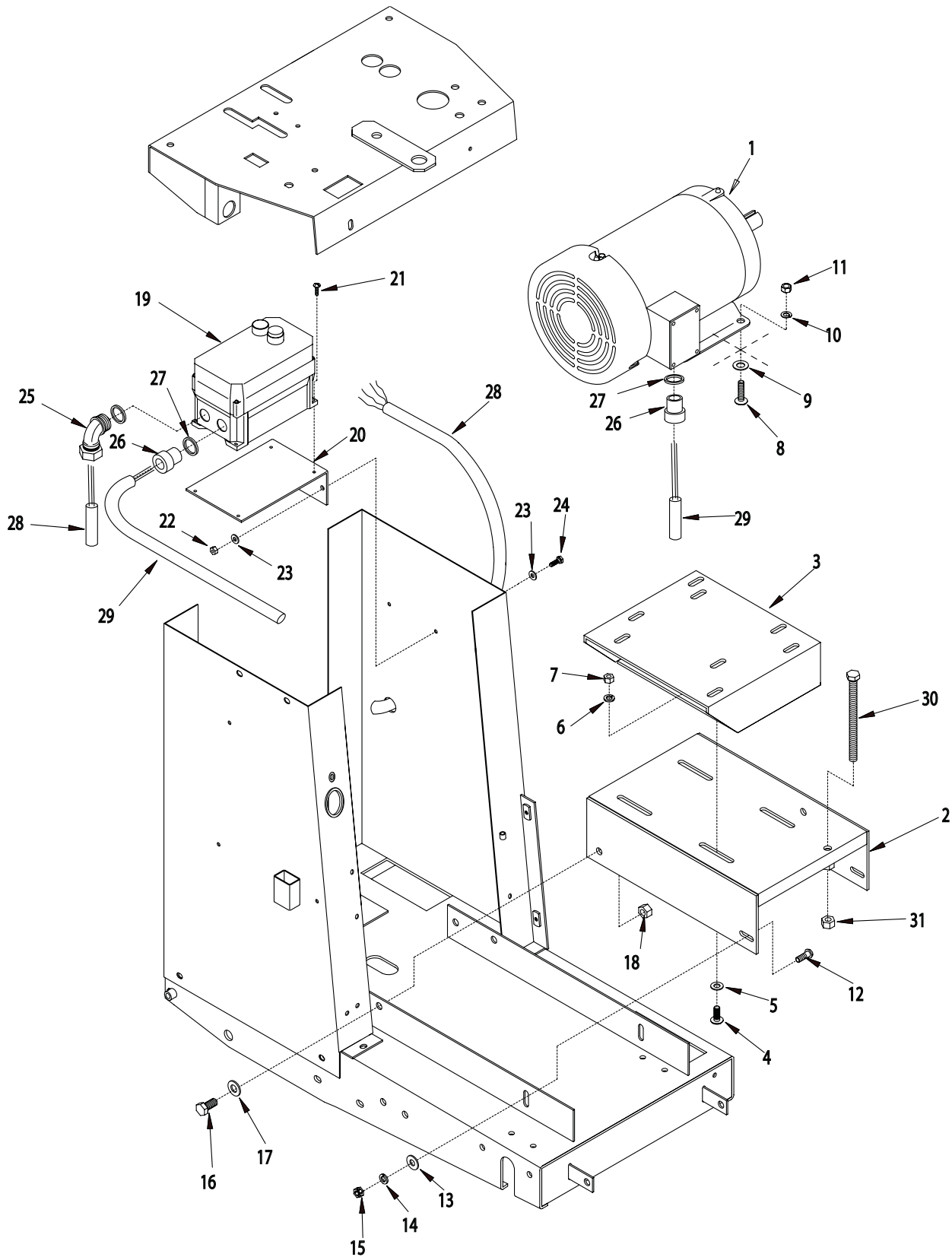


PARTS LISTING - ILLUSTRATION 5: KOHLER ENGINE GROUPING

ITEM #	PART #	DESCRIPTION	QTY.	ITEM #	PART #	DESCRIPTION	QTY.
1	15037	ENGINE, KOHLER COMMAND 20HP	1	29	10018	SCREW, CAP 1/4-20 x 3/4	2
2	10917	BOLT, CARRIAGE 3/8-16 x 2	1	30	10038	WASHER, LOCK 1/4"	2
3	10087	BOLT, CARRIAGE 3/8-16 x 1-3/4	3	31	10602	WASHER, FLAT 1/4"	2
4	10025	WASHER, FLAT 3/8	2	32	50552	PLUG, PIPE 1/2" NPT (BRASS)	1
5	10811	WASHER, LOCK 3/8	4	33	57159	BRACKET, OIL DRAIN	1
6	10404	NUT 3/8-16	4	34	80061	BARB, PUSH-ON, 1/2 HOSE x 1/2 MPT	1
7	51208	MOUNT, ENGINE	1	35	51244	HOSE, PUSH-ON 1/2" ID x 9 1/2" L	1
8	10392	BOLT, TAP 1/2-13 x 4 (FULL THREAD)	1	36	50554	BARB, PUSH-ON, 1/2" HOSE x 3/8 MPT	1
9	10417	NUT 1/2-13	1	37	10650	SWITCH, KEY, KOHLER	1
10	10802	BOLT, CARRIAGE 3/8-16 x 1	2	38	15138	METER, HOUR, REDINGTON INDUCTIVE	1
11	10025	WASHER, FLAT 3/8	2	39	15129	CABLE, CHOKE 72" (TRIM TO 30")	1
12	10811	WASHER, LOCK 3/8	2	40	51081	CABLE, TURN-TO-LOCK CONTROL 72" (TRIM TO 32")	1
13	10404	NUT 3/8-16	2	41	51225	SWITCH, EMERGENCY STOP	1
14	10304	SCREW, CAP 1/2-20 x 1"	2	42	51221	GAS TANK, 3 GAL.(INCL. ITEM # 43)	1
15	10312	WASHER, FLAT 1/2	2	43	61056	CAP, GAS TANK	1
16	10205	NUT, LOCK 1/2-20	2	44	10053	SCREW, CAP 5/16-18 x 3/4	3
17	51243	LOOM, WIRE FLEX 5/8 x 52"L	1	45	10801	WASHER, LOCK 5/16	3
18	84011	BATTERY, 12 VOLT/ 300 CCA	1	46	10213	WASHER, FLAT 5/16	3
19	61064	CABLE, EYE-EYE 4Ga.x40" RED(POS.)	1	47	61058	TUBE, FUEL PICK-UP, 19"	1
20	50117B	CABLE, EYE-EYE 4Ga.x24"BLK(NEG)	1	48	10762	CLAMP, HOSE SPRING-TYPE 3/8"(GREEN)	4
21	10818	BOLT, CARRIAGE 5/16-18 x 3/4	2	49	51245	HOSE, FUEL 1/4"ID x 11" L	1
22	10801	WASHER, LOCK 5/16	2	50	11566	CLAMP, LOOM 1-3/4"	1
23	10054	NUT 5/16-18	2	51	10018	SCREW, CAP 1/4-20 x 3/4	1
24	50091	CLAMP, BATTERY HOLD-DOWN	1	52	10602	WASHER, FLAT 1/4	1
25	10928	INSULATOR, BAT. TERM. POS. (RED)	1	53	10861	NUT, KEPS 1/4-20	1
26	10031	SCREW, CAP 1/4-20 x 1"	2	54	15116	FILTER, FUEL 1/4" IN LINE	1
27	10602	WASHER, FLAT 1/4	4	55	51246	HOSE, FUEL 1/4" ID x 15'L	1
28	10150	NUT, HEX NYLON LOCK 1/4-20	2				



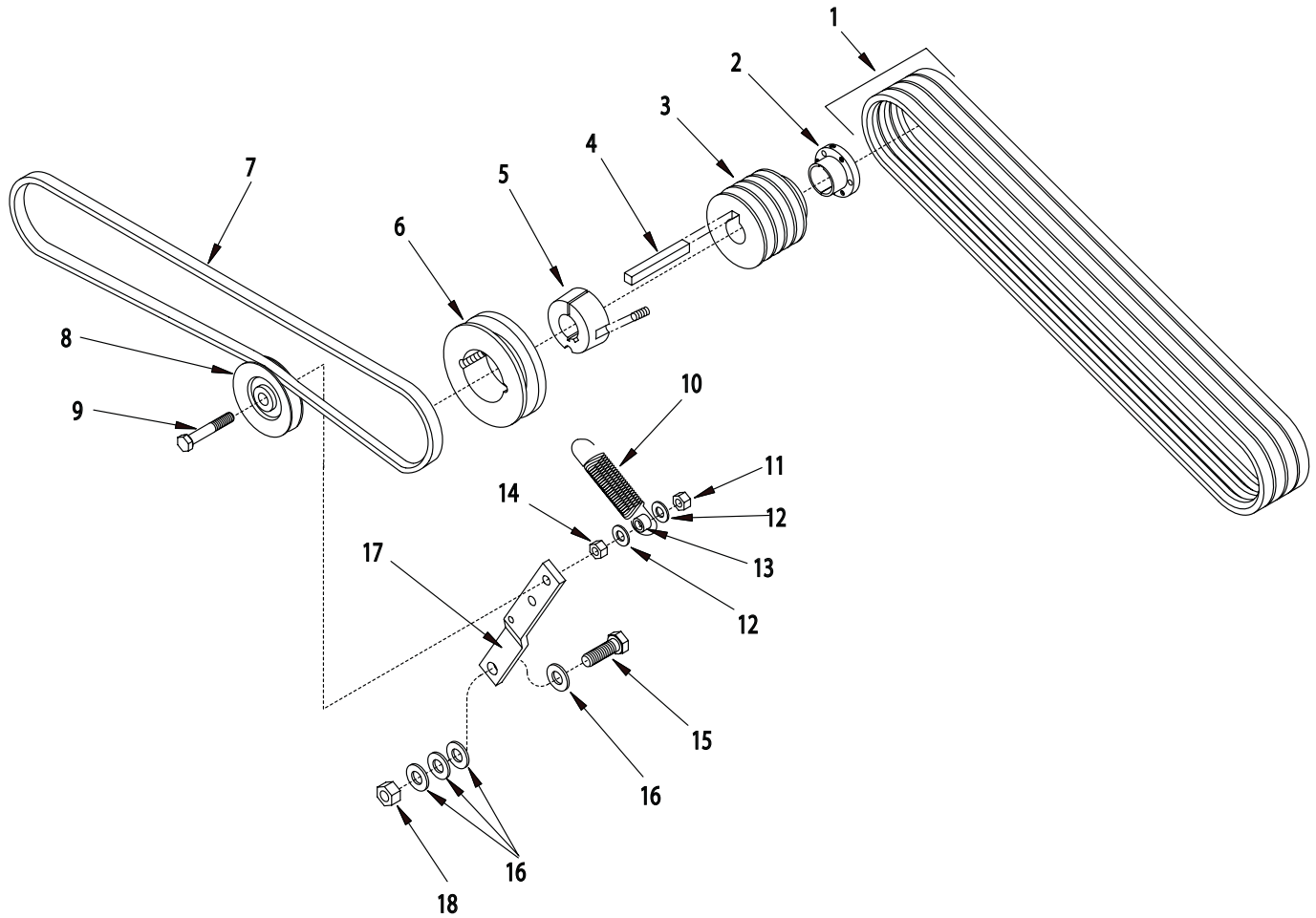
ILLUSTRATION 6: ELECTRIC MOTOR GROUPING



PARTS LISTING - ILLUSTRATION 6: ELECTRIC MOTOR GROUPING			
ITEM #	PART #	DESCRIPTION	QTY.
1		MOTOR, BALDOR	1
	16002	7.5HP-3P 60HZ 3450RPM	
	16004	10HP-3PH 60HZ 3450RPM	
2	51314	MOUNT, MOTOR	1
3	51248	MOUNT SPACER, MOTOR	1
4	10802	BOLT, CARRIAGE 3/8-16 X 1 FULL THD.	4
5	10025	WASHER, FLAT 3/8 SAE	4
6	10811	WASHER, LOCK 3/8	4
7	10404	NUT 3/8-16	4
8	10804	BOLT, CARRIAGE 3/8-16 X 1-1/2 F.T.	4
9	10040	WASHER, GARRET 17/32 X 1 X .054	4
10	10811	WASHER, LOCK 3/8	4
11	10404	NUT 3/8-16	4
12	10802	BOLT, CARRIAGE 3/8-16 X 1 FULL THD.	2
13	10025	WASHER, FLAT 3/8 SAE	2
14	10811	WASHER, LOCK 3/8	2
15	10404	NUT 3/8-16	2
16	10304	SCREW, CAP 1/2-20 X 1	2
17	10312	WASHER, FLAT 1/2 SAE	2
18	10205	NUT, LOCK 1/2-20	2
19		STARTER	1
	16412	11-M1-BRF-P23-23-46060	
	16404	11-M2-BRF-P32-33-23060	
20	41133	MOUNT, STARTER	1
21	10833	SCREW, MACHINE 10-32 X 3/4	4
22	10015	NUT, LOCK 1/4-20	2
23	10602	WASHER, FLAT 1/4 SAE	4
24	10018	SCREW, CAP 1/4-20 X 3/4	2
25	11664	STRAIN RELIEF 3/4" 90° .650-.750"	1
26	41053	STRAIN RELIEF 1/2NPT X .625-.750"	3
27	10790	CONDUIT LOCK NUT 1/2 NP	3
28	64064	WIRE HARNESS 10/4 X 42"LOA	1
29		PLUG	1
30	64065	WIRE HARNESS 10/4 X 35"LOA (USE W/ 16412 STARTER)	1
	51274	WIRE HARNESS 10/4 X 56"LOA (USE W/ 16404 STARTER)	1
31	51067	BOLT, ALLTHREAD ROD 1/2-13 X 7	1
32	10417	NUT 1/2-13	1



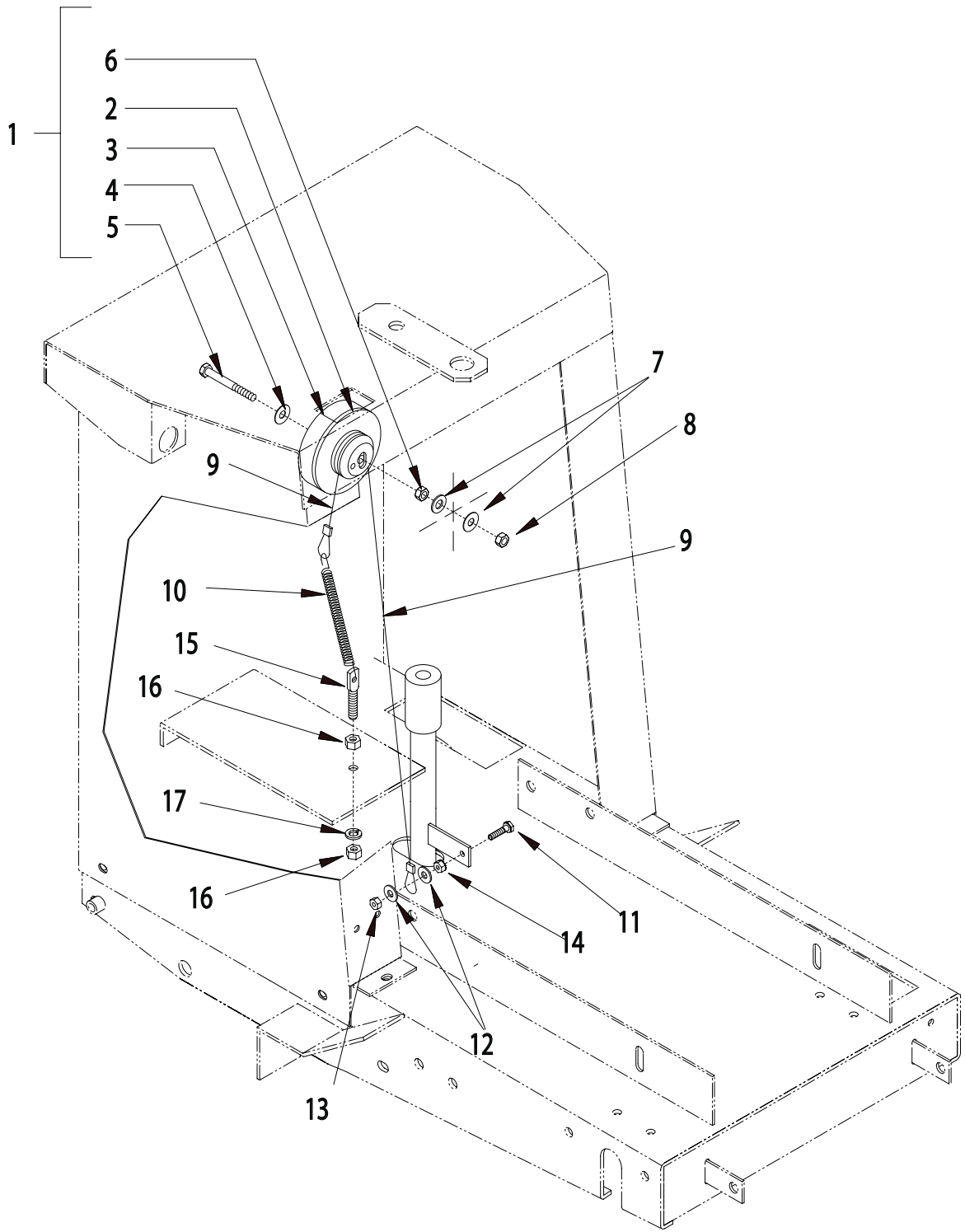
ILLUSTRATION 7: BELT DRIVE GROUPING



PARTS LISTING: ILLUSTRATION 7: BELT DRIVE GROUPING			
ITEM #	PART #	DESCRIPTION	QTY.
1	10201	BELT 3VX-335 (HONDA 20HP)	4
	10276	BELT 3VX-355 (KOHLER COMMAND 20HP)	4
	10228	BELT 3VX-450 (BALDOR 10HP/3PH)	4
	10228	BELT 3VX-450 (BALDOR 7.5HP/3PH)	3
2	10533	BUSHING, SHEAVE JA x 1-1/8" BORE (HONDA ONLY)	1
3	64037	SHEAVE 2.8"OD x 4 Gr. 3V x JA (HONDA)	1
	64036	SHEAVE 2.8"OD x 4Gr.3V x 1-7/16"B (KOHLER)	1
4	-----	KEY, INCLUDED w/ BUSHING (HONDA)	1
	51247	KEY 3/8" SQ. x 3 (KOHLER)	1
5	10529	BUSHING, SHEAVE TAPER-LOCK, HONDA 1-1/8" BORE	1
	10531	BUSHING, SHEAVE TAPER-LOCK 1610, KOHLER 1-7/16" BORE	1
6	10528	SHEAVE, 4.15" OD x 1 Gr.AB x TAPER-LOCK	1
7	51234	BELT A-47 (HONDA-REFER TO NAME PLATE ON MACH.)	1
	10203	BELT A-46 (KOHLER-REFER TO NAME PLATE ON MACH.)	1
	51234	BELT A-47 (BALDOR-REFER TO NAME PLATE ON MACH.)	1
	10240	BELT AP-44 (BALDOR-REFER TO NAME PLATE ON MACH.)	1
8	51226	IDLER PULLEY 2.75 X 3/4FLAT X 3/8	1
9	10336	SCREW, CAP 3/8-24 x 2-1/4	1
10	50074	SPRING, EXT. 1" OD x 3-15/16" INSIDE ENDS	1
11	10004	NUT, LOCK 3/8-24	1
12	10025	WASHER, FLAT 3/8	2
13	10113	SPACER, STEEL 9/16" OD x 3/8" ID x 7/32"	1
14	10014	NUT 3/8-24	1
15	10308	SCREW, CAP 1/2-20 x 1-1/2	1
16	10312	WASHER, FLAT 1/2	4
17	51052	IDLER ARM	1
18	10205	NUT, LOCK 1/2-20	1



ILLUSTRATION 8: BLADE DEPTH GAUGE GROUPING



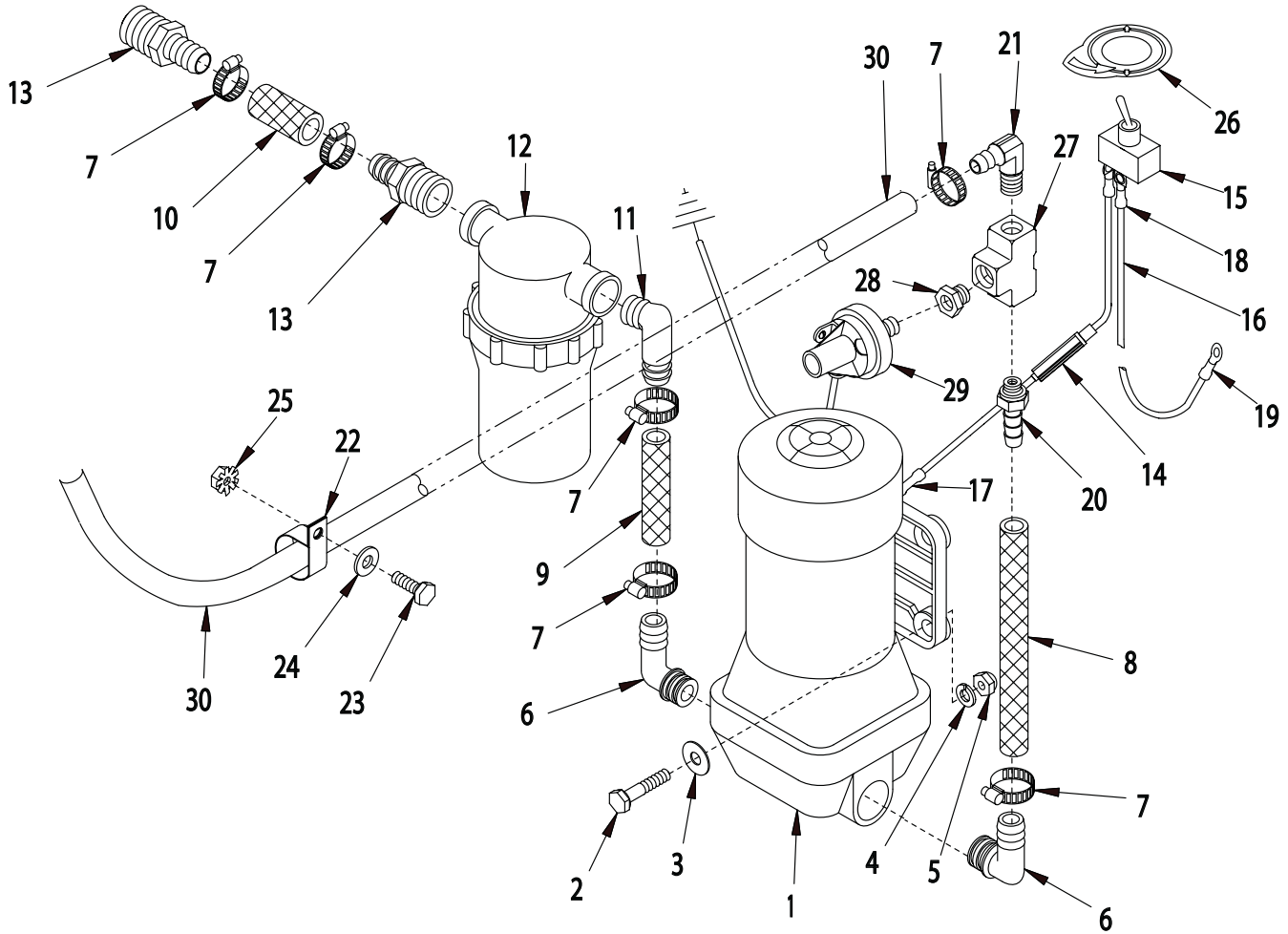
PARTS LISTING - ILLUSTRATION 8: BLADE DEPTH GAUGE GROUPING			
ITEM #	PART #	DESCRIPTION	QTY.
1	51238	GAUGE SUBASSEMBLY, DEPTH (INCLUDES ITEMS 2-6)	1
2	57132	WHEEL, DEPTH GAUGE	1
3	51239	STICKER, DEPTH GAUGE	1
4	10025	WASHER, FLAT 3/8 SAE	1
5	10336	SCREW, CAP 3/8-24 X 2-1/4	1
6	10004	NUT, LOCK 3/8-24	1
7	10025	WASHER, FLAT 3/8 SAE	2
8	10150	NUT, HEX NYLON LOCK 1/4-20	1
9	51240	CABLE, DEPTH GAUGE 3/32 X 25"L	1
10	3636	SPRING, EXT. 6"L	1
11	10031	SCREW, CAP 1/4-20 X 1	1
12	10602	WASHER, FLAT 1/4 SAE	1
13	10150	NUT, HEX NYLON LOCK 1/4-20	1
14	10861	NUT, KEPS 1/4-20	1
15	10843	BOLT, SPADE 3/8-16 X 1-5/8	1
16	10404	NUT 3/8-16	2
17	10811	WASHER, LOCK 3/8	1



ILLUSTRATION 9: OPTIONAL WATER PUMP KIT

FOR GAS UNITS ONLY

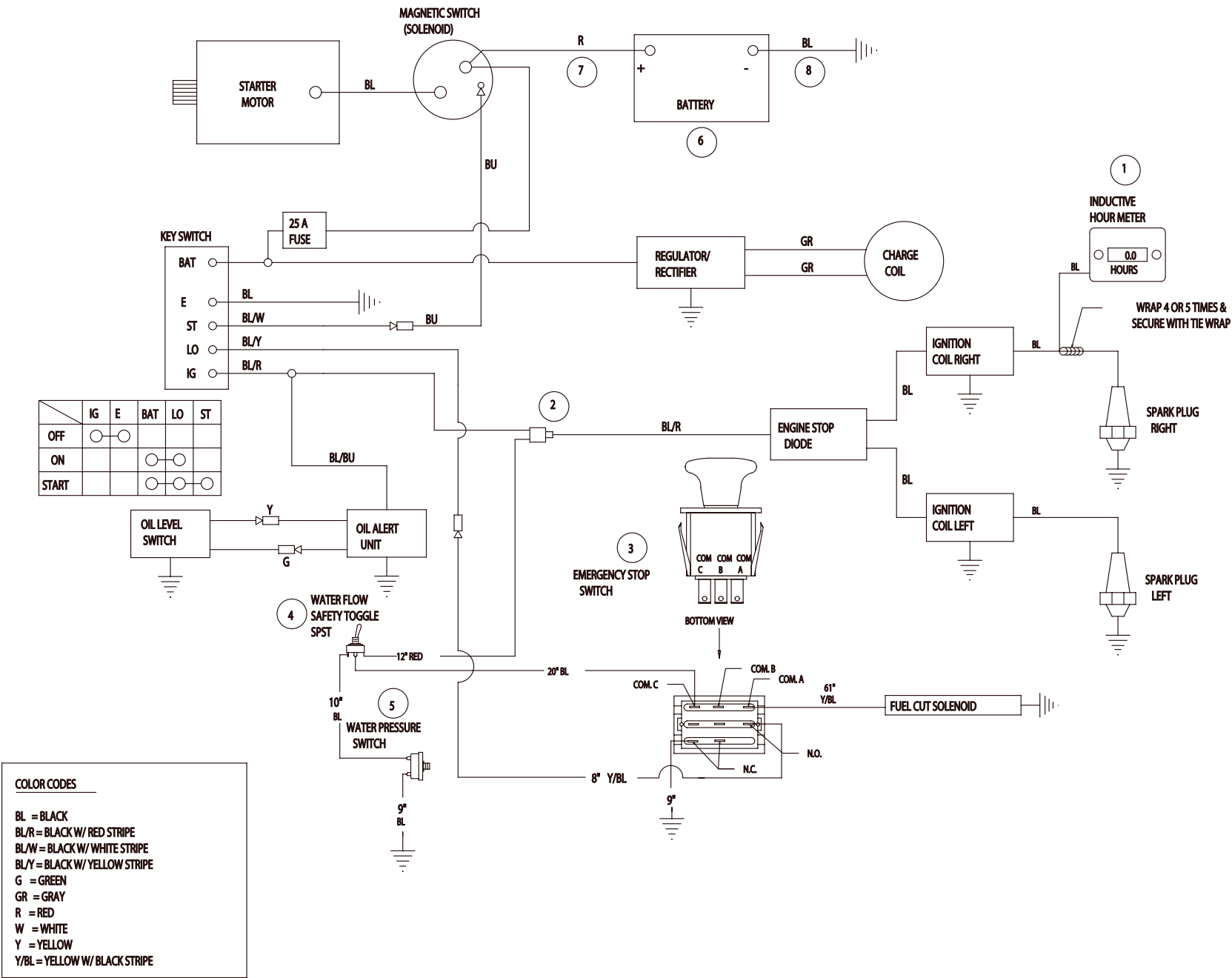
PART #51270



PARTS LISTING - ILLUSTRATION 9: OPTIONAL WATER PUMP KIT			
ITEM #	PART #	DESCRIPTION	QTY.
1	50470	PUMP, WATER, 12VDC, FLOJET QUAD	1
2	10905	SCREW, CAP 1/4-20 x 1-1/4	4
3	10602	WASHER, FLAT 1/4	4
4	10038	WASHER, LOCK 1/4	4
5	10876	NUT, ACORN 1/4-20	4
6	50469	PUMP QUAD PORT BARB ELBOW 1/2" (INCLUDES O-RING)	2
7	50069	CLAMP, HOSE, SAE #6, ADJ. TO 13/16	5
8	57168	HOSE, WATER 1/2" ID x 4-7/8"L	1
9	51261	HOSE, WATER 1/2" ID x 4"L	1
10	50532	HOSE, WATER 1/2" ID x 2"	1
11	50471	BARB ELBOW 90, 1/2 HOSE x 1/2 MPT (PLASTIC)	1
12	57170	STRAINER, NYLON T-STYLE 1/2 FPT	1
13	10680	BARB, 1/2 HOSE x 1/2 MPT (PLASTIC)	2
14	50447	FUSE & HOLDER, 10 AMP	1
15	10633	SWITCH, TOGGLE SPST	1
16	51262	WIRE, RED 14AWG x 30"L	1
17	10938	CONNECTOR, WIRE BUTT 16-14 GA. (BLUE)	1
18	50084	TERMINAL, WIRE RING #10 16-14 GA. (BLUE)	2
19	10968	TERMINAL, WIRE RING 5/16 16-14 GA. (BLUE)	1
*20	11579	BARB, PUSH-ON 1/2 HOSE x 1/4 MPT	1
*21	10799	BARB ELBOW 90, 3/8 HOSE x 1/4 MPT	1
*22	11565	CLAMP, LOOM, 5/8"	1
*23	10018	SCREW, CAP 1/4-20 x 3/4	1
*24	10602	WASHER, FLAT 1/4	1
*25	10861	NUT, KEPS 1/4-20	1
*26	N/A	DECAL, WATER PUMP ON-OFF	1
**27	10719	PIPE TEE, FEMALE 1/4 NPT (BRASS)	1
**28	10718	BUSHING, HEX 1/4 x 1/8 NPT (BRASS)	1
**29	51030	SWITCH, PRESSURE, MAG. IGN. 76061-2 NC	1
***30	51222	HOSE, WATER 3/8" ID x 45" L	1
1-19 THESE ITEMS ARE PRE-ASSEMBLED			
*20-26 THESE ITEMS ARE NOT PRE-ASSEMBLED			
**27-29 THESE ITEMS ARE REUSED FROM THE EXISTING UNIT. THEY ARE SHOWN FOR ASSEMBLY PURPOSES ONLY.			
***30 THIS ITEM IS REUSED FROM THE EXISTING UNIT. TRIM OFF TO THE APPROPRIATE LENGTH.			



ILLUSTRATION 10: 20 HP HONDA WIRING DIAGRAM



PARTS LISTING - ILLUSTRATION 10: 20 HP HONDA WIRING DIAGRAM			
ITEM #	PART #	DESCRIPTION	QTY.
1	15138	METER, HOUR, REDINGTON INDUCTIVE	1
2	11582	CONNECTOR, BULLET FORD 3-WAY STD.	1
3	51225	SWITCH, EMERGENCY STOP	1
4	10633	SWITCH, TOGGLE SPST	1
5	51030	SWITCH, PRESSURE, MAG. IGN., 76061-2 NC	1
6	84011	BATTERY 12 VOLT/300 CCA (SMALL ENG)	1
7	61064	CABLE, EYE-EYE 4GA. X 40" (RED)	1
8	51233	CABLE, EYE-EYE 6GA. X 20" (BLACK)	1



LIMITED EQUIPMENT WARRANTY OF SALE – TERMS & CONDITIONS

Equipment Development Company, Inc. herein referred to as EDCO (Seller) warrants that each new unit manufactured by EDCO to be free from defects in material and workmanship in normal use and service for a period of (1) one year (except for the cutter drum assembly on all model concrete/asphalt planes, in which case the warranty period shall be 90 days) from date of shipment to the original retail or equipment rental center owner.

Accessories or equipment furnished and installed on the product by EDCO but manufactured by others, including, but not limited to engines, motors, electrical components, transmissions etc., shall carry the accessory manufacturers own warranty.

EDCO will, at its option, repair or replace, at the EDCO factory or at a point designated by EDCO, any part which shall appear to the satisfaction of EDCO inspection to have been defective in material or workmanship.

EDCO reserves the right to modify, alter and improve any part or parts without incurring any obligation to replace any part or parts previously sold without such modified, altered or improved part or parts.

This warranty is in lieu of and excludes all other warranties, expressed, implied, statutory, or otherwise created under applicable law including, but not limited to the warranty of merchantability and the warranty of fitness for a particular purpose in no event shall seller or the manufacturer of the product be liable for special, incidental, or consequential damages, including loss of profits, whether or not caused by or resulting from the negligence of seller and/or the manufacturer of the product unless specifically provided herein. In addition, this warranty shall not apply to any products or portions thereof which have been subjected to abuse, misuse, improper installation, maintenance, or operation, electrical failure or abnormal conditions and to products which have been tampered with, altered, modified, repaired, reworked by anyone not approved by seller or used in any manner inconsistent with the provisions of the above or any instructions or specifications provided with or for the product

FORCE MAJEURE

Seller's obligation hereunder are subject to, and Seller shall not be held responsible for, any delay or failure to make delivery of all or any part of the Product due to labor difficulties, fires, casualties, accidents, acts of the elements, acts of God, transportation difficulties, delays by a common carrier, inability to obtain Product, materials or components or qualified labor sufficient to timely perform part of or all of the obligations contained in these terms and conditions, governmental regulations or actions, strikes, damage to or destruction in whole or part of manufacturing plant, riots, terrorist attacks or incidents, civil commotions, warlike conditions, flood, tidal waves, typhoon, hurricane, earthquake, lightning, explosion or any other causes, contingencies or circumstances within or without the United States not subject to the Seller's control which prevent or hinder the manufacture or delivery of the Products or make the fulfillment of these terms and conditions impracticable. In the event of the occurrence of any of the foregoing, at the option of Seller, Seller shall be excused from the performance under these Terms and Conditions, or the performance of the Seller shall be correspondingly extended.

This document sets forth the terms and conditions pursuant to which the purchaser ("Purchaser") will purchase and Equipment Development Co.Inc. ("Seller") will sell the products, accessories, attachments (collectively the Products) ordered by the Purchaser. These terms and conditions shall govern and apply to the sale of Seller's Products to Purchaser, regardless of any terms and conditions appearing on any purchase order or other forms submitted by Purchaser to Seller, or the inconsistency of any terms therein and herein.

1. PRICE

All prices set forth on any purchase order or other document are F.O.B. Sellers facility or distribution point, as may be determined by Seller (F.O.B.Point). All prices are exclusive of any and all taxes, including, but not limited to, excise, sales, use, property or transportation taxes related to the sale or use of the Products, now or hereafter imposed, together with all penalties and expenses. Purchaser shall be responsible for collecting and/or paying any and all such taxes, whether or not they are stated in any invoice for the Products. Unless otherwise specified herein, all prices are exclusive of inland transportation, freight, insurance and other costs and expenses relating to the shipment of the Products from the F.O.B. point to Purchaser's facility. Any prepayment by Seller of freight insurance and other costs shall be for the account of Purchaser and shall be repaid to Seller.

2. PAYMENT TERMS

Payment terms are as follows. 2% 10 days (to approved and qualified accounts). Net 30 days. This is a cash discount for invoices paid within 10 days after the invoice date, regardless of date of receipt of shipment. This is not a trade discount and will not be granted to accounts that do not adhere to stated terms.

*All past due accounts are subject to a late payment fee of 1.5% per month or a maximum allowed by law if different, along with the expenses incidental to collection including reasonable attorney's fees and costs.

*Seller reserves the right to hold shipments against past due accounts.

*Seller reserves the right to alter payment terms.

3. FREIGHT TERMS

All shipments will be made F.O.B. shipping point as designated in these Terms and Conditions, and title shall pass at the F.O.B. point. Delivery to the initial common carrier shall constitute delivery to the Purchaser. Any claims for loss or damage during shipment are to be filed with carrier by the Purchaser. Seller will not assume responsibility for the performance of the carrier.

Back orders will be shipped in the most practical fashion with charges consistent with our freight policy established with the original order. UPS, FED EX, MAIL or shipments by other couriers are subject to the same terms and conditions as outlined in paragraph #3"Freight Terms".

4. DELIVERY, DAMAGES, SHORTAGES

Seller shall use reasonable efforts to attempt to cause the Products to be delivered as provided for in these Terms & Conditions. Delivery to the initial common carrier shall constitute the delivery to the Purchaser. Sellers responsibility, in so far as transportation risks are concerned ceases upon the delivery of the Products in good condition to such carrier at the F.O.B. point and all the Products shall be shipped at the Purchaser's risk. Seller shall not be responsible or liable for any loss of income and/or profits, or incidental, special, consequential damages resulting from Seller's delayed performance in shipment and delivery.

5. RETURN OF DEFECTIVE PRODUCTS

Defective or failed material shall be held at the Purchaser's premises until authorization has been granted by Seller to return or dispose of Products. Products that are to be returned for final inspection must be returned Freight Prepaid in the most economical way. Credit will be issued for material found to be defective upon Seller's inspection based on prices at time of purchase.

6. PRODUCTS ORDERED IN ERROR

Products may be returned, provided that claim is made and Seller is notified within 7 days of receipt of Products, and the Products are in original buyer's possession not more than 30 days prior to return, subject to Seller's approval. If Products are accepted for return, they must be Freight Prepaid and buyer will be charged a minimum of 15% rehandling charge, plus a charge back for outbound freight charges if the original order was shipped prepaid. Returns are not accepted for any Products that are specifically manufactured to meet the buyer's requirement of either specifications or quantity.

AGREEMENTS

These Terms and Conditions constitute the entire agreement between Seller and Purchaser as it relates to terms and conditions of sale, and supersedes any and all prior oral or written agreements, correspondence, quotations or understandings heretofore in force between the parties relating to the subject matter hereof. There are no agreements between Seller and Purchaser with respect to the Product herein except those specifically set forth in and made part of these terms and conditions. Any additional terms, conditions and/or prices are rejected by Seller.

These terms and conditions may be modified, cancelled or rescinded only by a written agreement of both parties executed by their duly authorized agents.

**USE ONLY GENUINE EDCO PARTS & ACCESSORIES
For your own safety, the safety of others and the life of your machine.**

Equipment Development Company, Inc.

