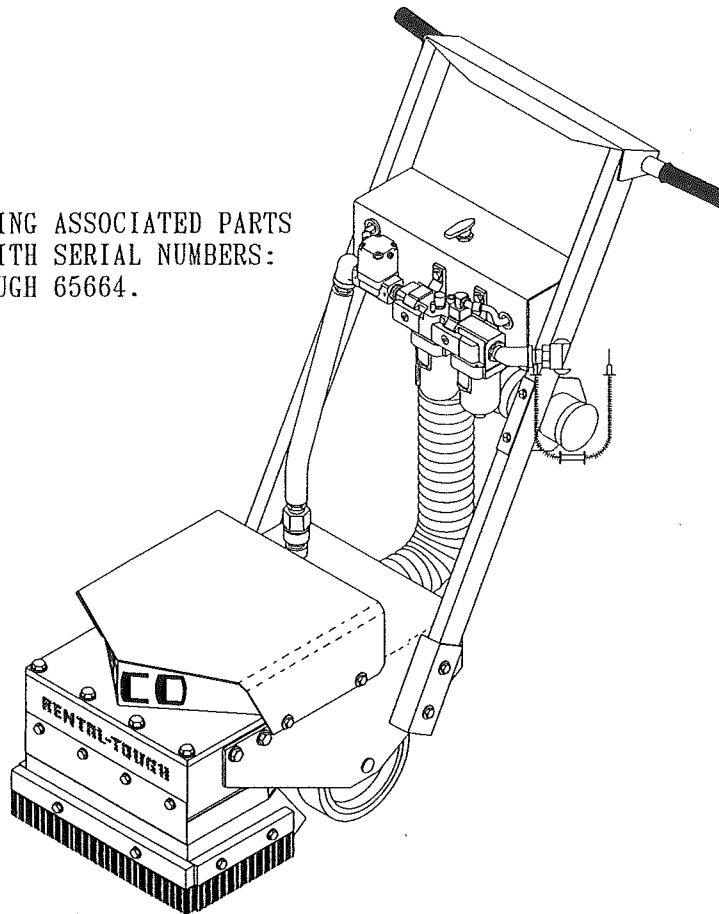


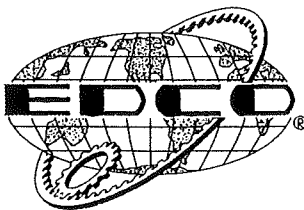
GHIP-DEK

AIR POWERED SCABBLER PARTS LIST UPGRADE ADDENDUM FOR FILTER AND LUBRICATOR ASSEMBLY

NOTE:
FOR REPLACING ASSOCIATED PARTS
ON UNITS WITH SERIAL NUMBERS:
62579 THROUGH 65664.



Model CD-5



EQUIPMENT DEVELOPMENT COMPANY, INC.

100 THOMAS JOHNSON DRIVE, FREDERICK, MARYLAND 21702-4600 USA

PHONE (301) 663-1600

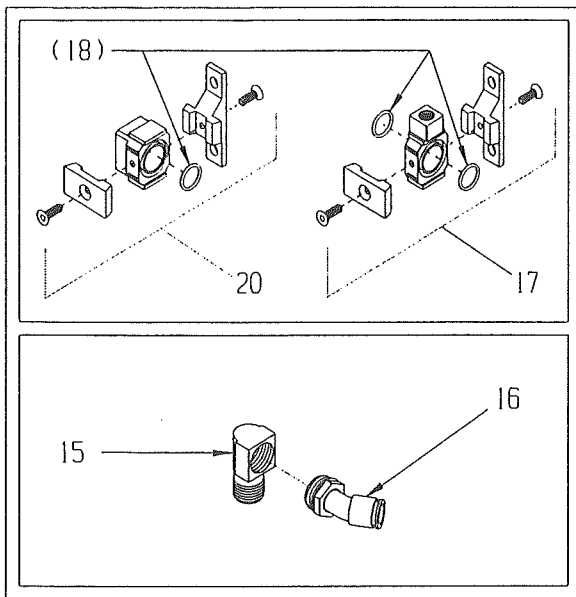
TOLL FREE 1-800-638-3326

FAX (301) 663-1607

FAX FREE 1-800-447-3326

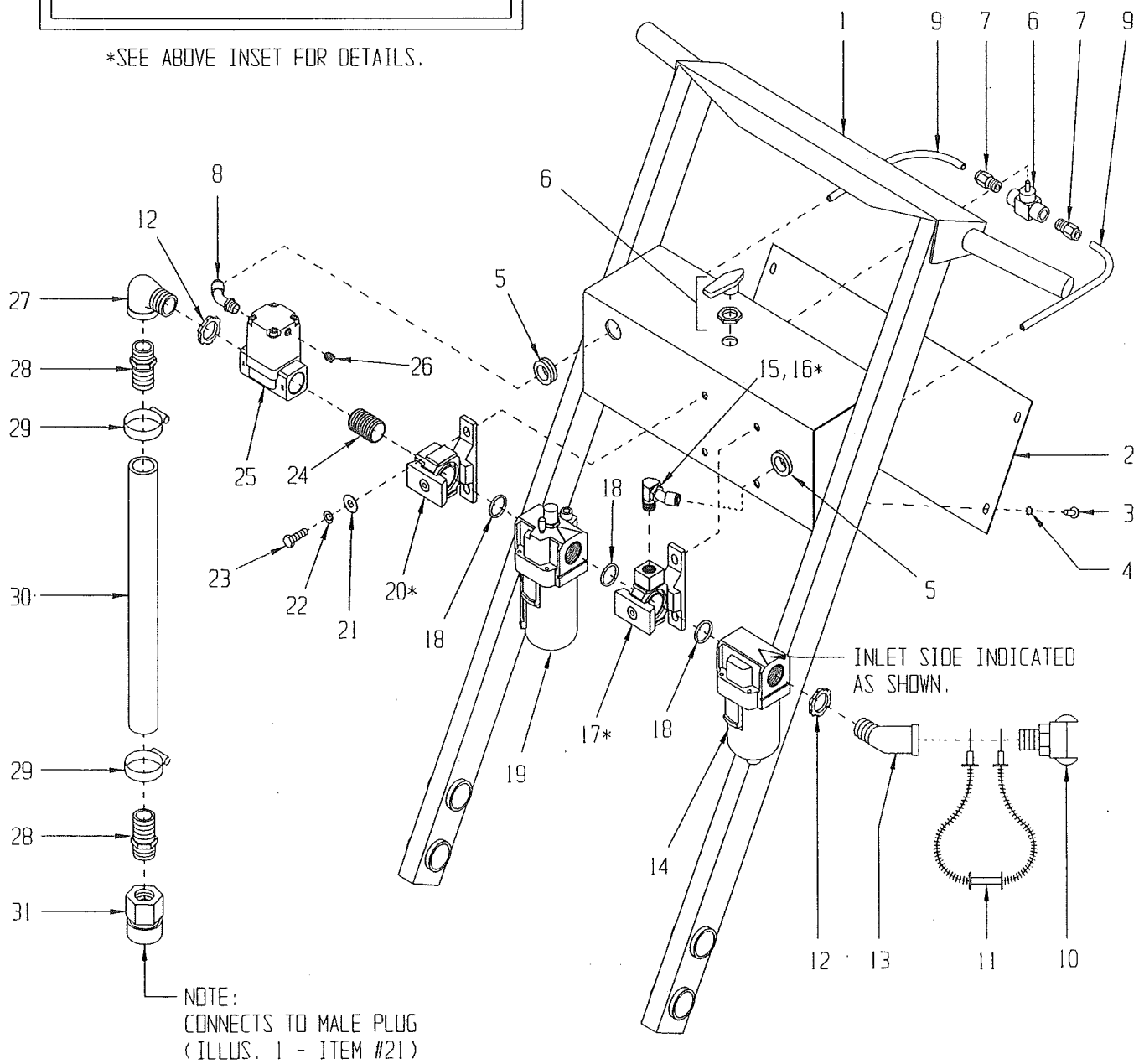
WEBSITE: www.edcoinc.com

EMAIL: sales@edcoinc.com



*SEE ABOVE INSET FOR DETAILS.

ILLUSTRATION 2: FILTER AND LUBRICATOR UPGRADE ASSEMBLY



**UPGRADE ADDENDUM - PARTS LISTING – ILLUSTRATION 2:
FILTER AND LUBRICATOR ASSEMBLY**

ITEM	# PART	DESCRIPTION	QTY.
1	63104	Handle Bar (Refer to Illus. 1 - Item # 7)	1
2	63116	Panel, Console Rear	1
3	10877	Screw, Self-Tap Hex Washer 10-24 x ½	4
4	10455	Washer, Lock, Ext. Tooth #10	4
5	63111	Grommet 3/4" ID x 1/8" Grv. x 1" GD	2
6	63004	Valve, Ball W/ Vent 1/4" Fem. NPT	1
7	63034	Fitting, Straight 5/16" Tube X 1/4 MPT	2
8	63057	Fitting, Swivel 45°, 5/16" Tube X 1/8 BSPT	1
9	63121	Tubing, Nylon 5/16" OD x 10" L	2
10	63067	Coupler, Air Hose, 3/4" MPT	1
11	63040	Cable, "Whipchek" Safety 1/8" x 20-1/4	1
12	10740	Conduit Lock Nut 3/4" NP	2
13	50086	Elbow, Street 3/4" NPT x 45° (Black)	1
14	63123	Filter, 3/4 NPT (NAF4000-N06-2)	1
15	10730	Elbow, Street 1/4 NPT X 90 (Brass)	1
16	63069	Fitting, Swivel 45°, 5/16" Tube X 1/4 MPT	1
17	63124	Bracket, T-Type, Y51T-N02 (Includes 2 O-rings Item #18)	1
18	63068	O-RING #216, 1/8 X 1-1/8" ID (Included W/ Items #17 & #20)	3
19	63122	Lubricator, 3/4 NPT (NAL4000-N06-8)	1
20	63064	Bracket, T-Type Adapter, NE50T-N06 (Includes 1 O-Ring, Item #18)	1
21	10213	Washer, Flat 5/16"	4
22	10801	Washer, Lock 5/16"	4
23	10806	Screw, Cap 5/16-18 x 1"	4
24	10577	Pipe Nipple 3/4 NPT X 1-1/2 (Black)	1
25	63125	Valve, Process, 3/4 NPT, VNA301A-20A	1
26	63126	Pipe Plug 1/8 BSPT	1
27	10727	Elbow, Street 3/4" NPT x 90 (Black)	1
28	63047	Barb, 1" Hose x 3/4" MPT	2
29	10784	Clamp, Hose, Size 20, Adj. To 1-3/4"	2
30	63120	Hose, Air 1" ID x 15-1/2" L	1
31	63066	Fitting, Quick-Connect Fem. Coupler 3/4"	1

LIMITED EQUIPMENT WARRANTY

Equipment Development Company, Inc. herein referred to as EDCO warrants that each new unit manufactured by EDCO to be free from defects in material and workmanship in normal use and service for a period of (1) one year (except in the case of the cutter drum assembly on all model concrete asphalt planes, in which case the warranty period shall be 90 days) from date of shipment to the original retail or equipment rental center owner.

EDCO will, at its option, repair or replace, at the EDCO factory or at a point designated by EDCO any part, which shall appear to the satisfaction of EDCO inspection to have been defective in material or workmanship.

This warranty, does not apply to failure occurring as a result of abuse, misuse, negligent repairs, corrosion, erosion, normal wear and tear, alterations or modifications made to the product without express written consent of EDCO: or failure to follow the recommended operating practices and maintenance procedures as provided in the products operating and maintenance manuals.

This warranty does not obligate EDCO to bear any transportation charges in connection with the replacement or repair of defective parts. This warranty does not obligate EDCO to bear any expense for travel time or of personnel in connection with any service calls.

Accessories or equipment furnished and installed on the product by EDCO but manufactured by others, including but not limited to engines, motors, electrical equipment, transmissions, etc., shall carry the accessory manufacturers' own warranty.

THIS WARRANTY IS IN LIEU OF ALL OTHER WARRANTIES, EXPRESSED OR IMPLIED, OR STATUTORY, INCLUDING ANY WARRANTIES OF MERCHANTABILITY OR OF FITNESS FOR A PARTICULAR PURPOSE.

LIABILITY LIMITATIONS

The remedies of the user set forth under provisions of warranty outlined above are the exclusive and total liability of EDCO with the respect to their sale or the equipment and service furnished hereunder, in connection with the performance or breach thereof, or from the sale, delivery, installation, repair or technical direction covered by or furnished under the sale, whether based on contract, warranty, negligence, indemnity, strict liability, or otherwise shall not exceed the purchase price of the unit of equipment upon which such liability is based.

EDCO will not in any event be liable to the user, any successors in interest or any beneficiary or assignee relating to this sale for any consequential, incidental, indirect, special or punitive damages arising out of this sale or any breach thereof, or any defects on, or failure of, or malfunction of the equipment under this sale based upon loss of use, lost profits or revenue, interest, lost goodwill, work stoppage, impairment of other goods, loss by reason of shutdown or non-operation, increased expenses of operation of the equipment, cost of purchase or replacement power of claims of users or customers of the user for service interruption whether or not such loss or damage is based on contract, warranty, negligence, indemnity, strict liability, or otherwise.

EDCO reserves the right to modify, alter and improve any part or parts without incurring any obligation to replace any part or parts previously sold without such modified, altered or improved part or parts.

No person is authorized to give any other warranty or to assume any additional obligation on EDCO's behalf unless made in writing and signed by an officer of EDCO.

Equipment Development Company, Inc.

USE ONLY GENUINE EDCO PARTS AND ACCESSORIES

For your own safety, the safety of others and the life of your machine

PLEASE FILL IN INFORMATION AND SAVE

Date of Purchase _____

Name of Machine _____

Model # _____

Serial # _____

Belt Size(s) _____

HOW TO ORDER REPAIR PARTS

- To insure product safety and reliability, always use genuine EDCO replacement parts when making repairs to the equipment.
- When ordering parts, please specify the MODEL and SERIAL NUMBER of the machine as given on the NAME PLATE. In addition, give part number, description and quantity as listed on the parts list.
- Please note: Due to improvements and changes in the equipment, the illustrations shown may be different than the actual machine.

Printed in USA



EQUIPMENT DEVELOPMENT COMPANY, INC.

100 THOMAS JOHNSON DRIVE, FREDERICK, MD 21702-4600 USA
Phone (301) 663-1800 • 1-800-638-3326 Fax (301) 663-1607 • 1-800-447-3326 Website: www.edcoinc.com Email: sales@edcoinc.com

©1998