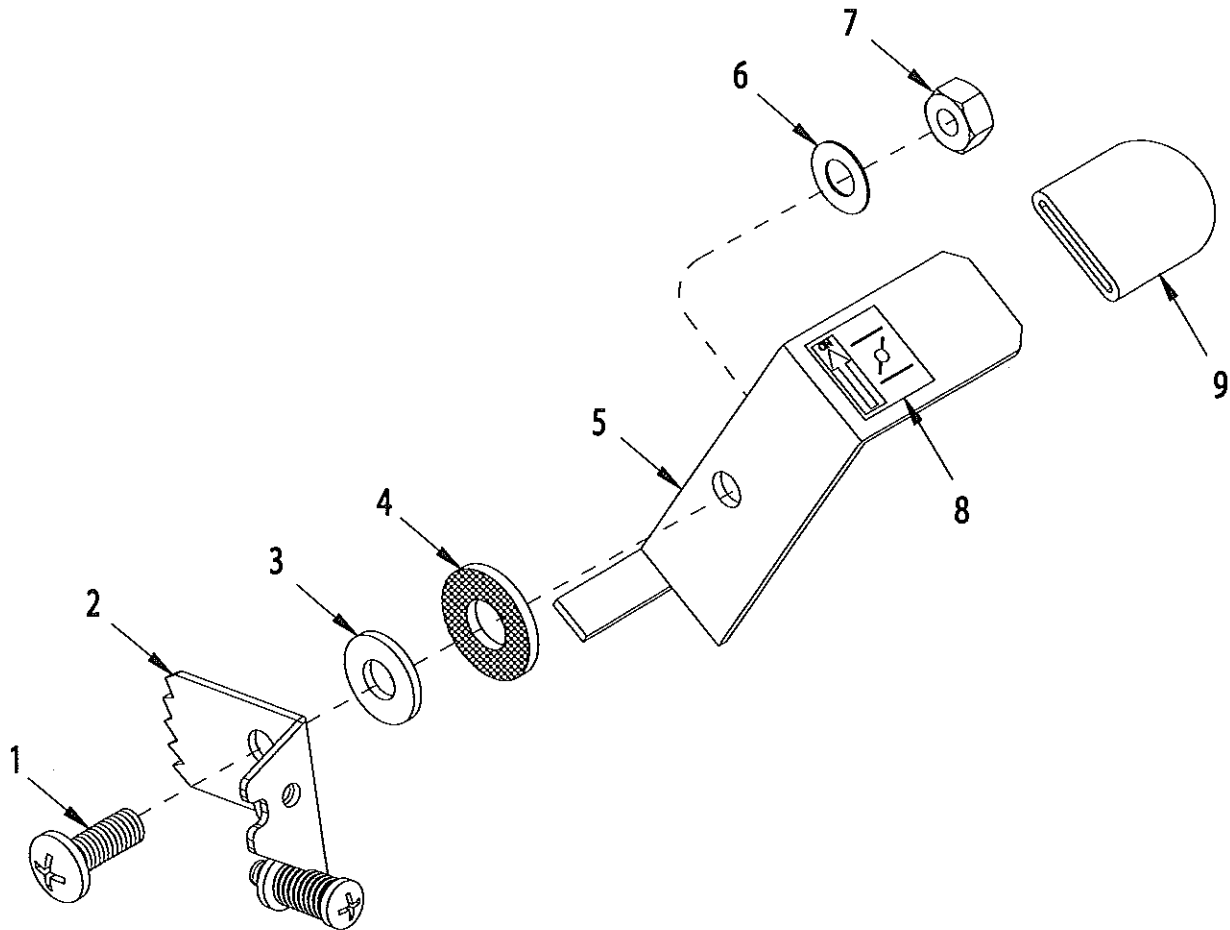


MANUAL CHOKE KIT

FOR HONDA GXV340 11 HP PART #15190



ITEM#	PART#	DESCRIPTION	QTY.
1	15185	SCREW, MACHINE M6 X 16MM PHILLIP HD	1
2	-----	BREAKAWAY VIEW OF ENGINE THROTTLE BRACKET (SHOWN FOR MOUNTING DETAIL)	-
3	10602	WASHER, FLAT 1/4 SAE	1
4	15187	WASHER, FIBER .75 X .25 X .093	1
5	15183	LEVER, CHOKE CONTROL	1
6	15186	WASHER, BELLEVILLE .500 X .255 X .018	1
7	28026	NUT, HEX NYLON LOCK M6 X 1MM	1
8	91301	DECAL, CHOKE 5/8 X 5/8	1
9	15184	CAP, FLAT RED .062 X .75 X 1	1



100 Thomas Johnson Drive, Frederick, MD 21702-4600 USA
 Phone (301) 663-1600 • 1-800-638-3326
 Fax (301) 663-1607 • 1-800-447-3326
 Website: www.edcoinc.com • Email: sales@edcoinc.com

Printed in USA
 ©2005