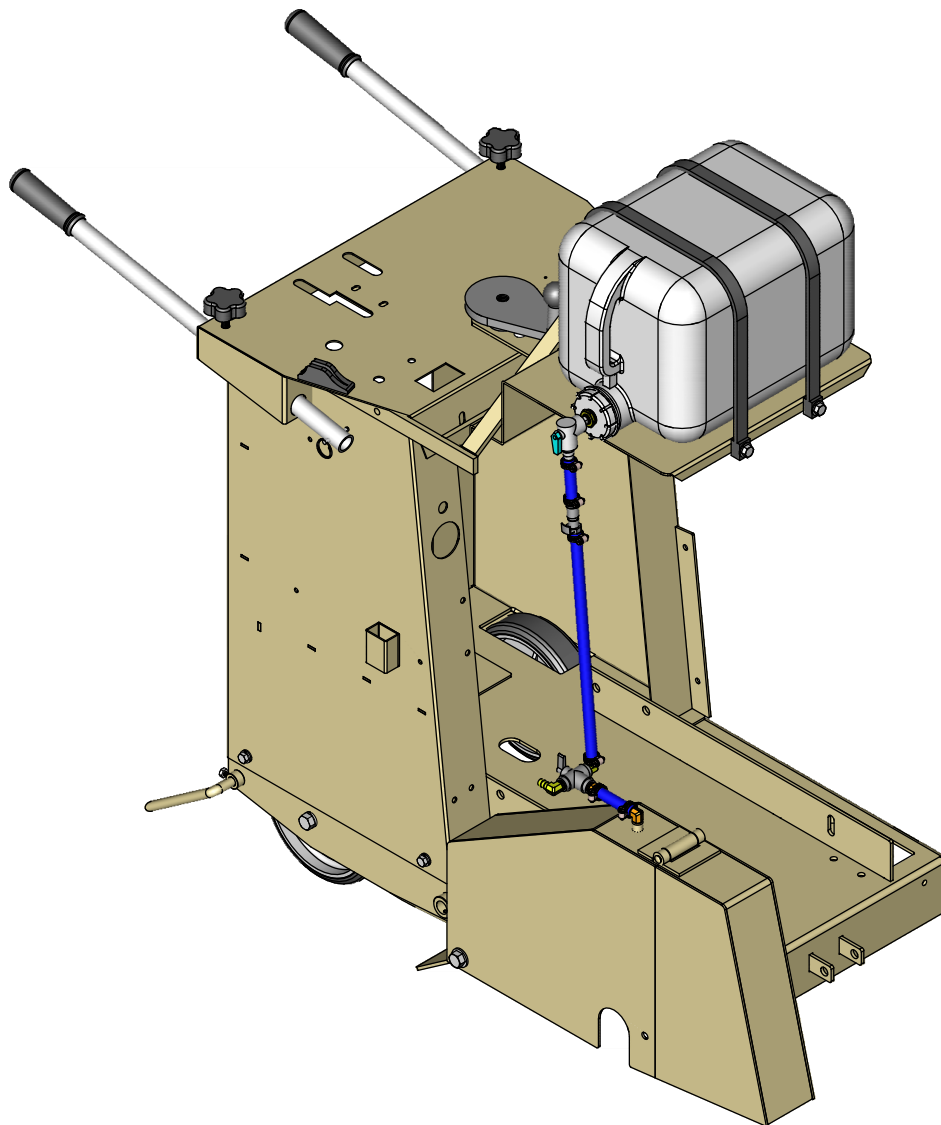
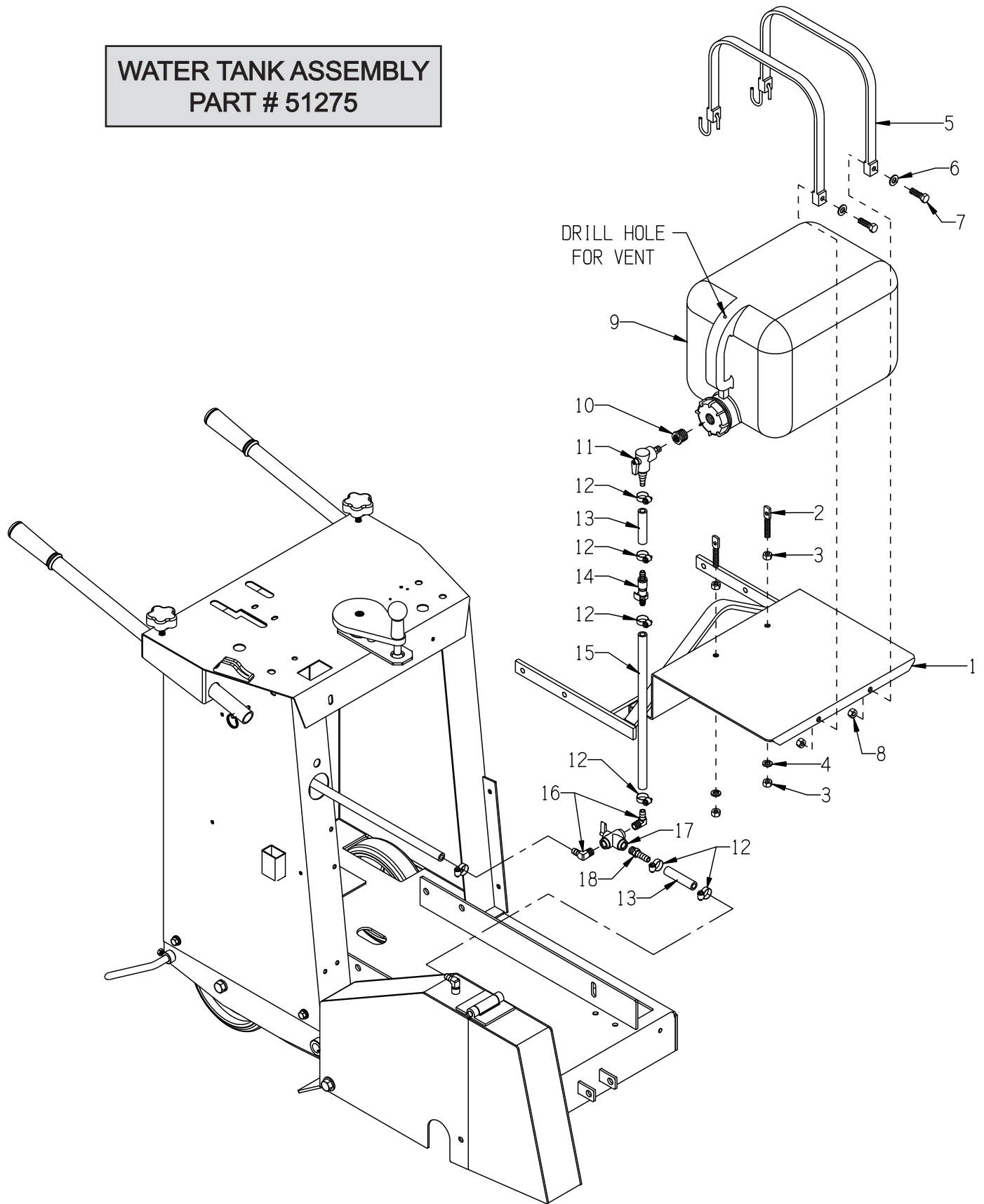


PARTS LIST
WATER TANK ASSEMBLY
FOR
MODEL SS-20



PART # 51275
OPTIONAL

**WATER TANK ASSEMBLY
PART # 51275**



PARTS LISTING**WATER TANK ASSEMBLY - PART # 51275**

ITEM #	PART #	DESCRIPTION	QTY.
1	51280	MOUNT, WATER TANK, W/LIFT BAIL SS20	1
2	10843	BOLT, SPADE 3/8-16 X 1-5/8	2
3	10404	NUT, HEX 3/8-16 ZINC	4
4	10811	WASHER, LOCK 3/8 ZINC	2
5	52035	TIE-DOWN STRAP, MOLDED RUBBER 24"	2
6	10602	WASHER, FLAT 1/4 SAE ZINC	2
7	10905	SCREW, CAP 1/4-20 X 1-1/4	2
8	10150	NUT, HEX NYLON LOCK 1/4-20 ZINC	2
9	52031	DRUM, PLASTIC 5 GALLON, 3/4NPT CAP	2
10	52034	BUSHING, HEX 3/4 X 1/4 NPT NYLON	1
11	56312	VALVE, BALL PVC 90°A 1/4MPT X BARB	1
12	50069	CLAMP, HOSE, SAE #6, ADJ. TO 13/16	6
13	51288	HOSE, WATER 3/8"ID X 2-3/4"L	2
14	11637	COUPLING, QUICK-DISCONNECT 3/8" SPECIAL - INCLUDES: FEMALE FITTING W/ SHUT OFF AND MALE FITTING.	1
15	75139	HOSE, WATER 3/8"ID X 15"L	1
16	10799	BARB ELBOW 90, 3/8HOSE X 1/4MPT	2
17	11638	VALVE, BALL, 3-WAY 1/4 NPT FEMALE	1
18	50075	BARB, 3/8 HOSE X 1/4MPT (BRASS)	1



A Division of Equipment Development Company, Inc.

100 Thomas Johnson Drive, Frederick, MD 21702-4600 USA

Phone (301) 663-1600 • 1-800-638-3326

Fax (301) 663-1607 • 1-800-447-3326

Website: www.edcoinc.com • Email: sales@edcoinc.com

Printed in USA

JWA ©2013

Page 3

