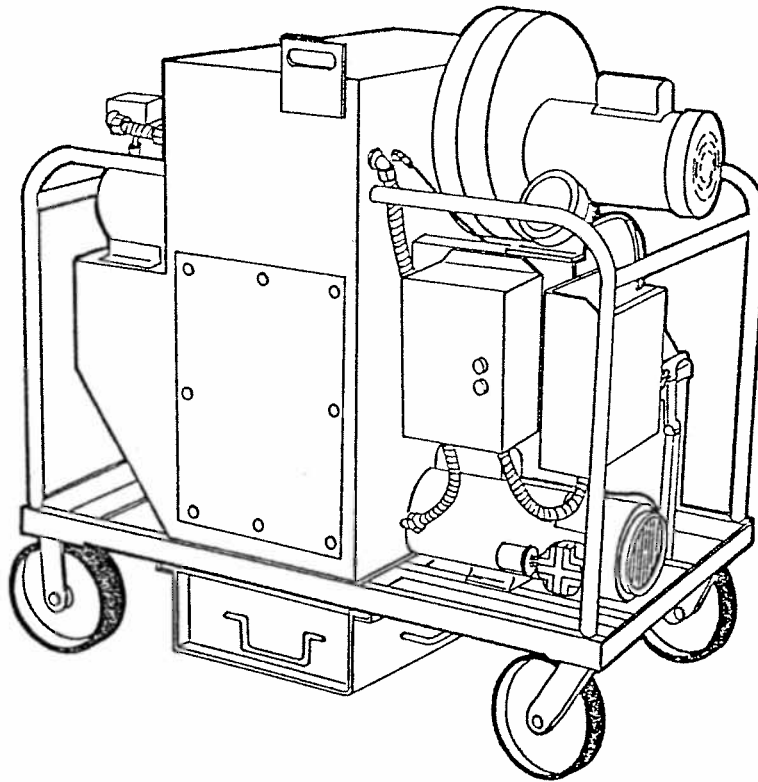


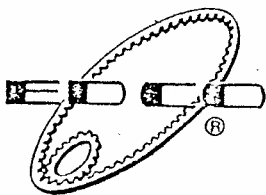
June 1, 1991

DUST COLLECTOR VACUUM

PARTS LIST MANUAL



Model VAC-150 (Electric)
460 VOLT-3 PHASE



EQUIPMENT DEVELOPMENT COMPANY, INC.

100 THOMAS JOHNSON DRIVE, FREDERICK, MARYLAND 21702-4305 USA
301-663-1600 TOLL FREE 1-800-638-3326 FAX 301-663-1607

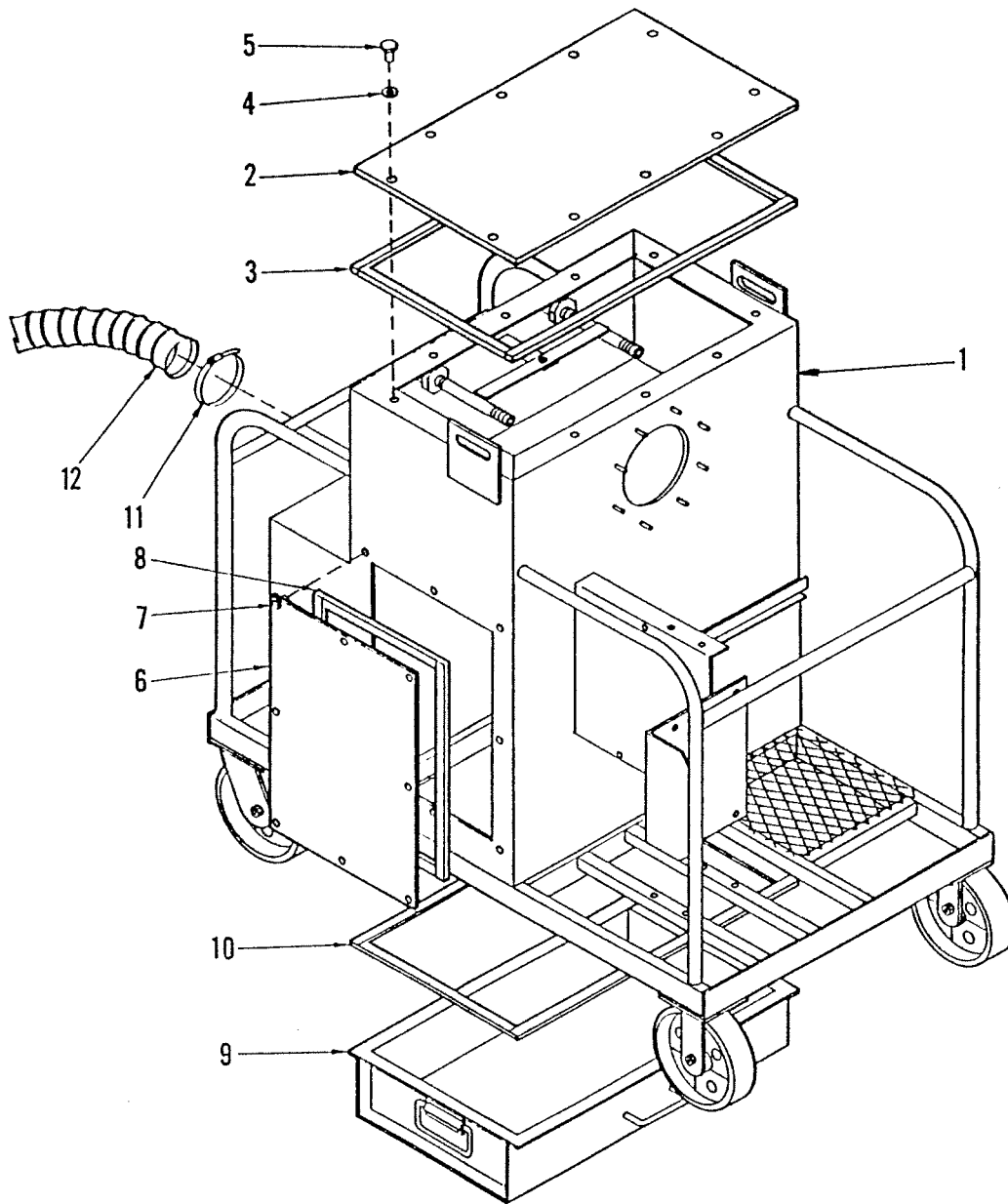


FIG. 1: MAIN ASSEMBLY

Item #	Part #	Qty.	Description
1.	C65001	1	Frame, Main
2.	C65002	1	Door, Top Access
3.	C65003	2	Seal 3/4"W x 27-3/4"L
	& C65004	2	Seal 3/4"W x 15-1/4"L
4.	10213	10	Washer, Flat 5/16
5.	10806	10	Screw, Cap 5/16-18 x 1
6.	C65005	1	Door, Side Access
7.	C90160	8	Fastener, 1/4 Turn
8.	C65006	2	Seal 3/4"W x 20"L
	& C65007	2	Seal 3/4"W x 12-1/2"L
9.	C65008	1	Pan, Dust Collector
10.	C65003	2	Seal 3/4"W x 27-3/4"L
	& C65004	2	Seal 3/4"W x 15-1/4"L
11.	10849	2	Clamp, Hose Adj. 2-13/16 to 3-3/4"
12.	C65103	1	Hose, Flex 3"ID x 25 Ft.

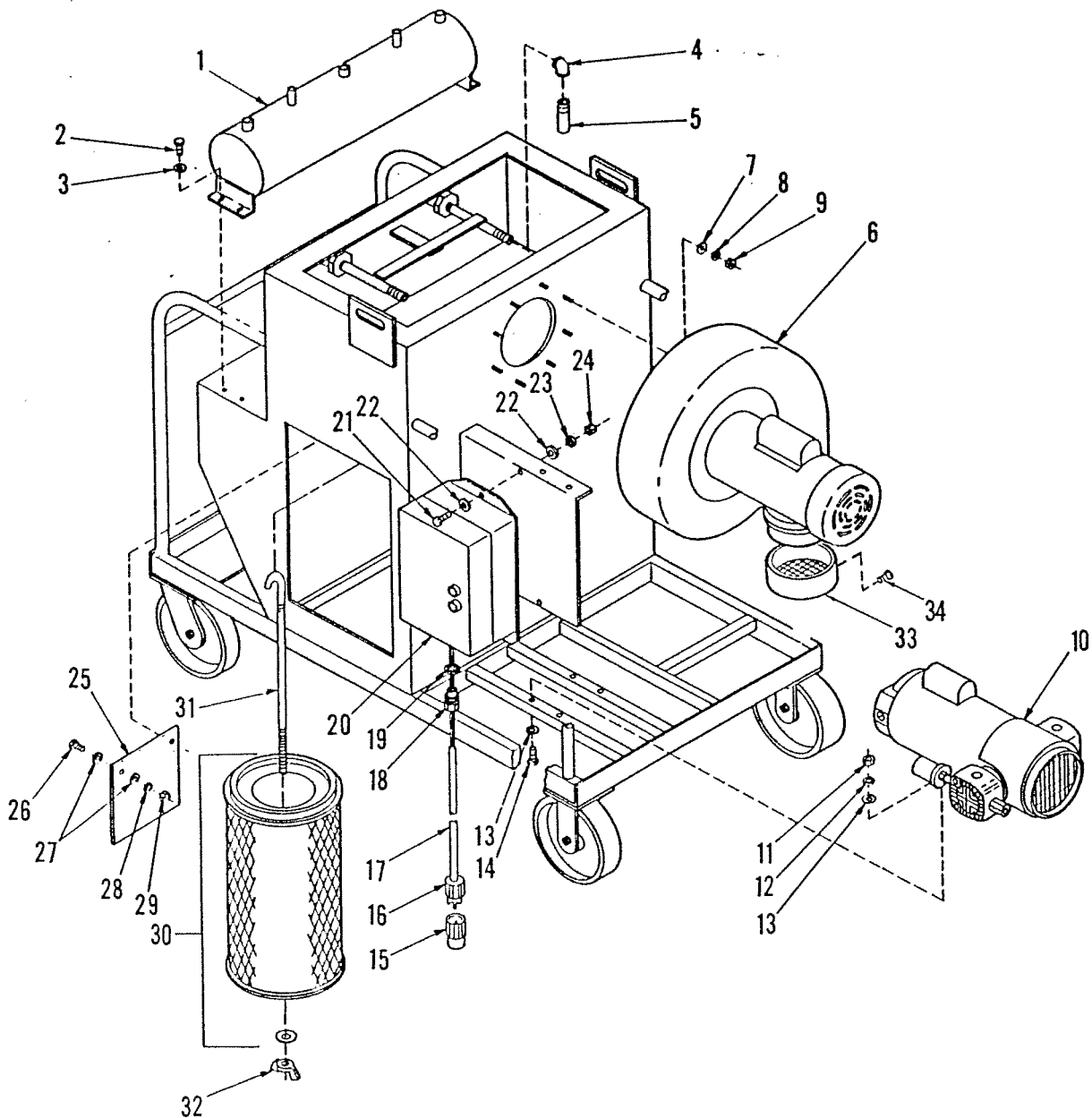


FIG. 2: AIR SYSTEM GROUPING

Item #	Part #	Qty.	Description	Item #	Part #	Qty.	Description
1.	C65111	1	Tank, Air (See Fig. 5 for Plumbing)	20.	C65160	1	Starter Box 460 VAC (For Wiring See Diagram #1)
2.	10806	4	Screw, Cap 5/16-18 x 1	21.	10018	3	Screw, Cap 1/4-20 x 3/4
3.	10213	4	Washer, Flat 5/16	22.	10602	6	Washer, Flat 1/4
4.	10727	2	Elbow, Street 3/4NPT x 90	23.	10038	3	Washer, Lock 1/4
5.	C65109	2	Pipe 3/4NPT (1 End) x 3"L	24.	10013	1	Nut 1/4-20
6.	C90220	1	Blower, W/ Motor 3-HP/3-PH	25.	C65009	1	Baffle
7.	10025	8	Washer, Flat 3/8	26.	10018	2	Screw, Cap 1/4-20 x 3/4
8.	10811	8	Washer, Lock 3/8	27.	10602	4	Washer, Flat 1/4
9.	10014	8	Nut 3/8-24	28.	10038	2	Washer, Lock 1/4
10.	C90217	1	Compressor, Air 1-HP/3-PH (See Fig. 6 for Plumbing)	29.	10013	2	Nut 1/4-20
11.	10054	4	Nut 5/16-18	30.	C90202	2	Filter, 9" x 18" Standard
12.	10801	4	Washer, Lock 5/16		or C90225	2	Filter, Moisture Resistant (Optional)
13.	10213	8	Washer, Flat 5/16	31.	C65108	2	Rod, Filter Hanger
14.	10204	4	Screw, Cap 5/16-18 x 1-3/4	32.	10900	2	Nut, Wing 1/2-13
15.	16115	1	Plug, Female Conn. 20A/480V	33.	C65135	1	Guard, Blower
16.	16114	1	Plug, Male 20A/480V	34.	10828	1	Screw, Self-tap 10-24 x 1/2
17.	C65161	1	Wire Harness 12/4 x 24"				
18.	40034	1	Conn., Strain Relief 3/4NPT				
19.	10740	1	Nut, Conduit Lock 3/4NPT				

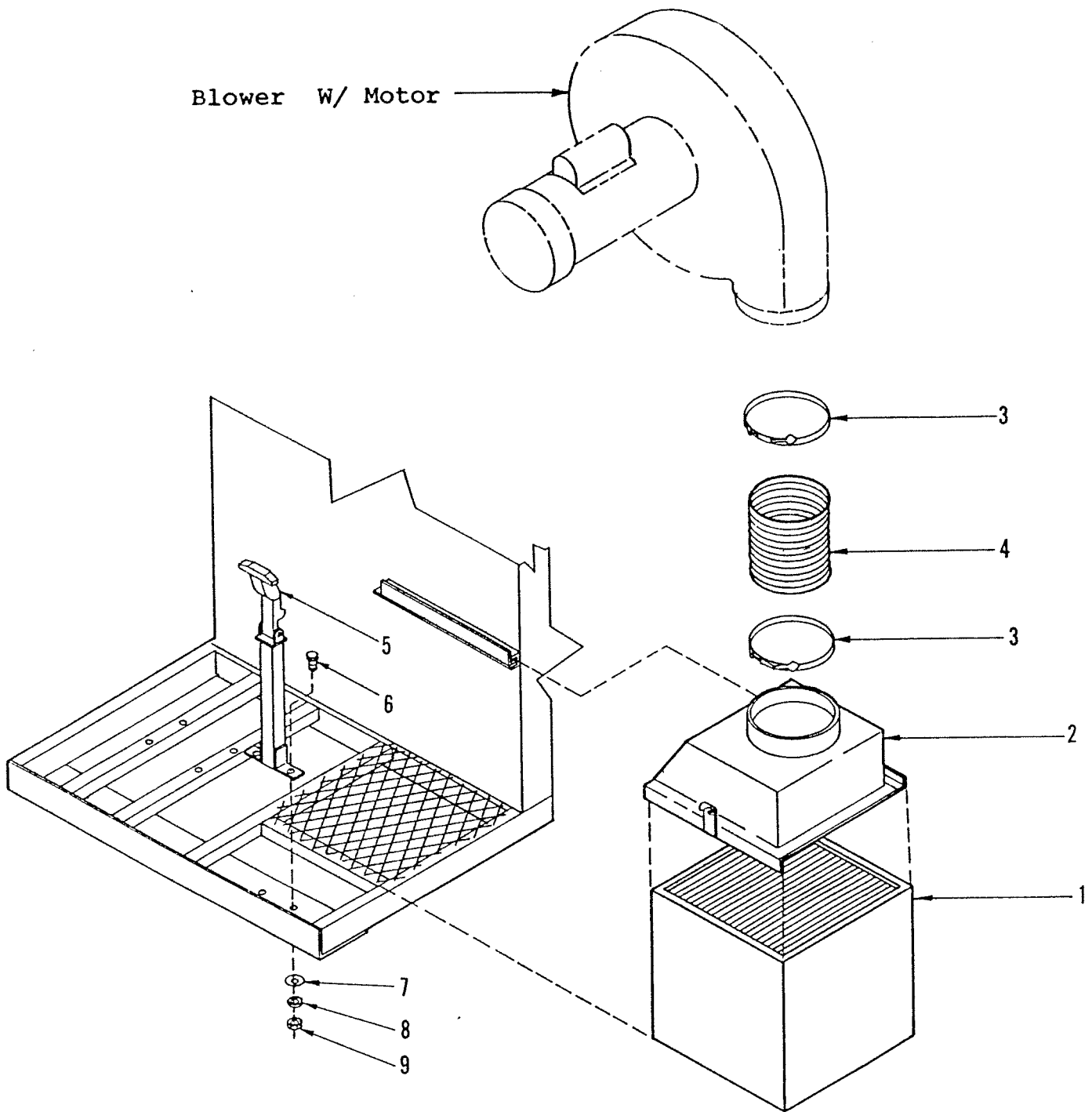


FIG. 3: OPTIONAL HEPA EXHAUST FILTER ASSEMBLY
ORDER PART #C65150 (FILTER NOT INCLUDED)

Item #	Part #	Qty.	Description
1.	C90250	1	Filter, HEPA 12"x12"x12"
2.	C90252	1	Housing, HEPA Upper
	C90253	1	Seal, HEPA Upper Housing
3.	C90218	2	Clamp, Hose Adj. 4 to 7"
4.	C65010	1	Hose, Flex 6"ID x 7"Approx.
5.	C65011	1	Post W/Latch, HEPA
6.	10018	2	Screw, Cap 1/4-20 x 3/4
7.	10602	2	Washer, Flat 1/4
8.	10038	2	Washer, Lock 1/4
9.	10013	2	Nut 1/4-20

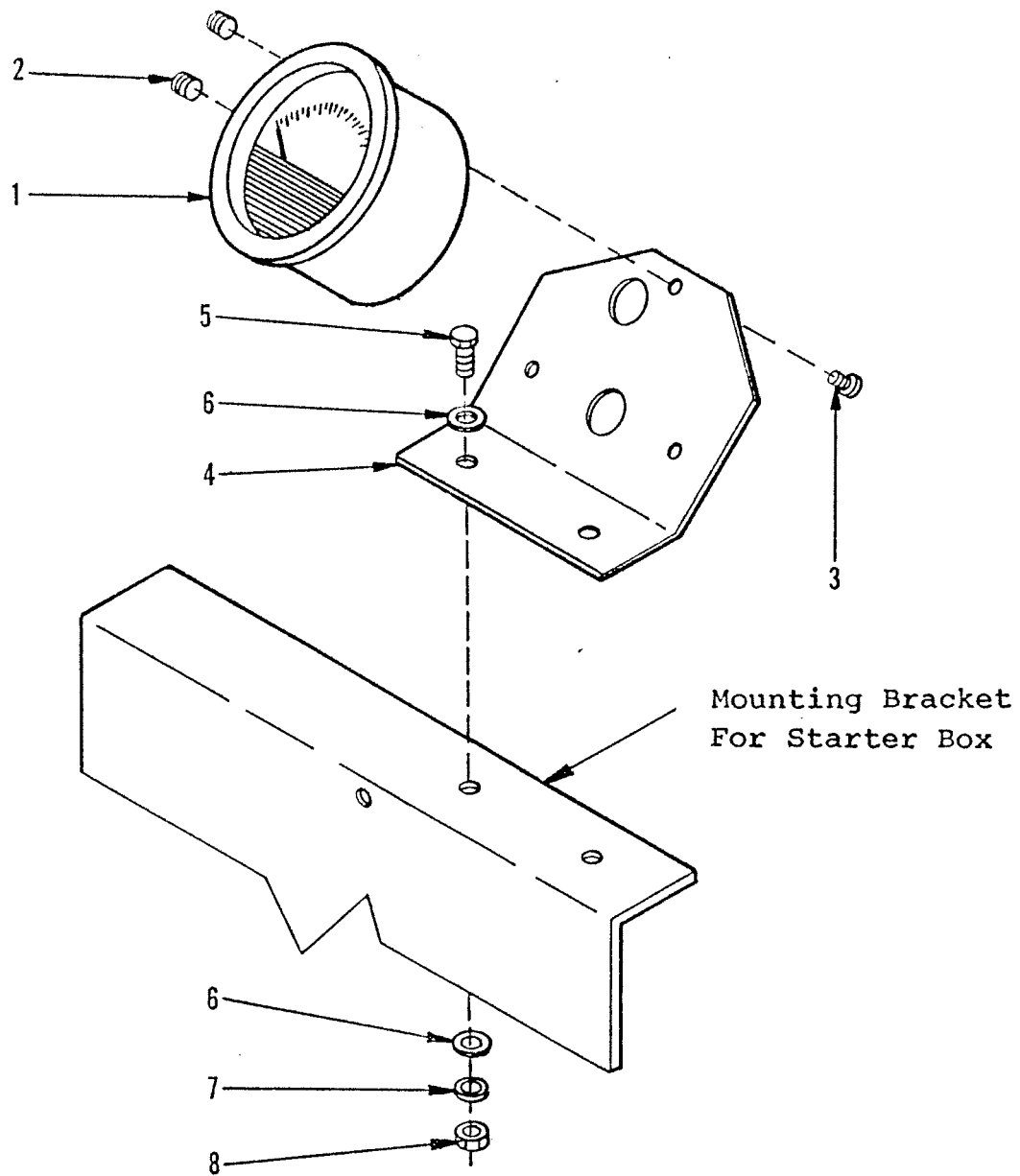
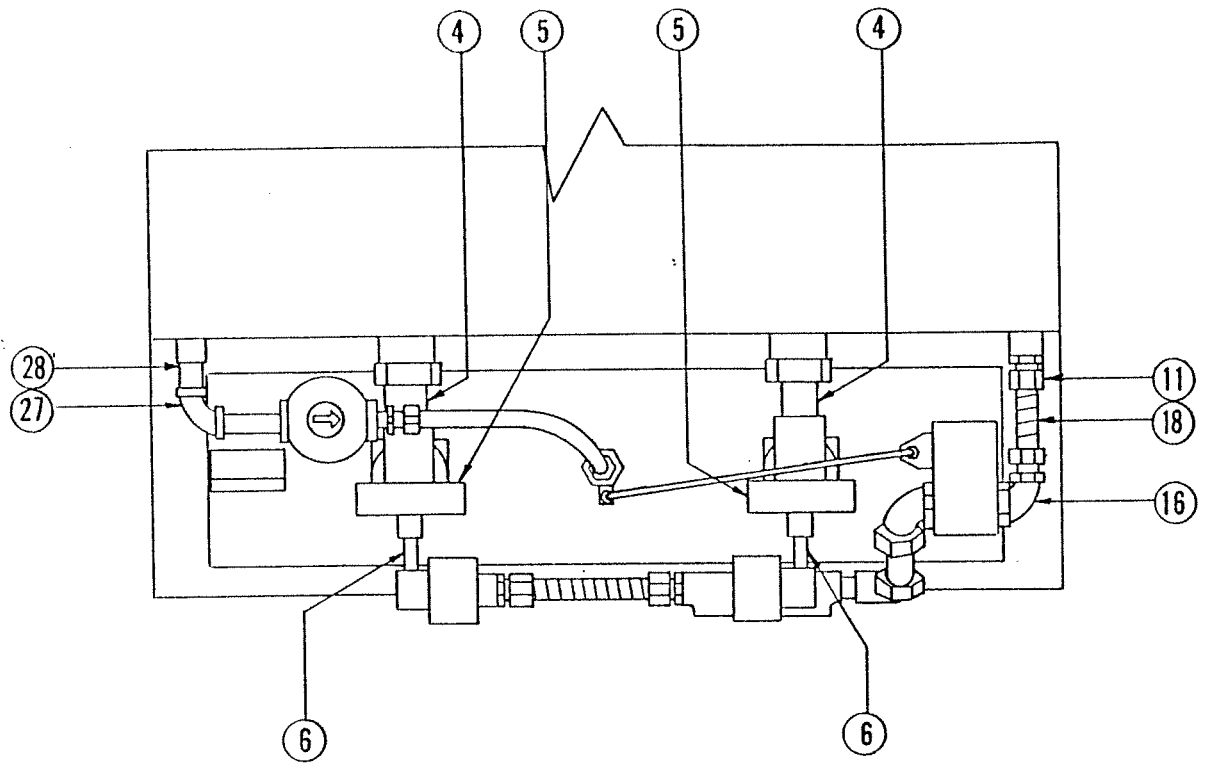


FIG. 4: MAGNEHELIC GAUGE ASSEMBLY

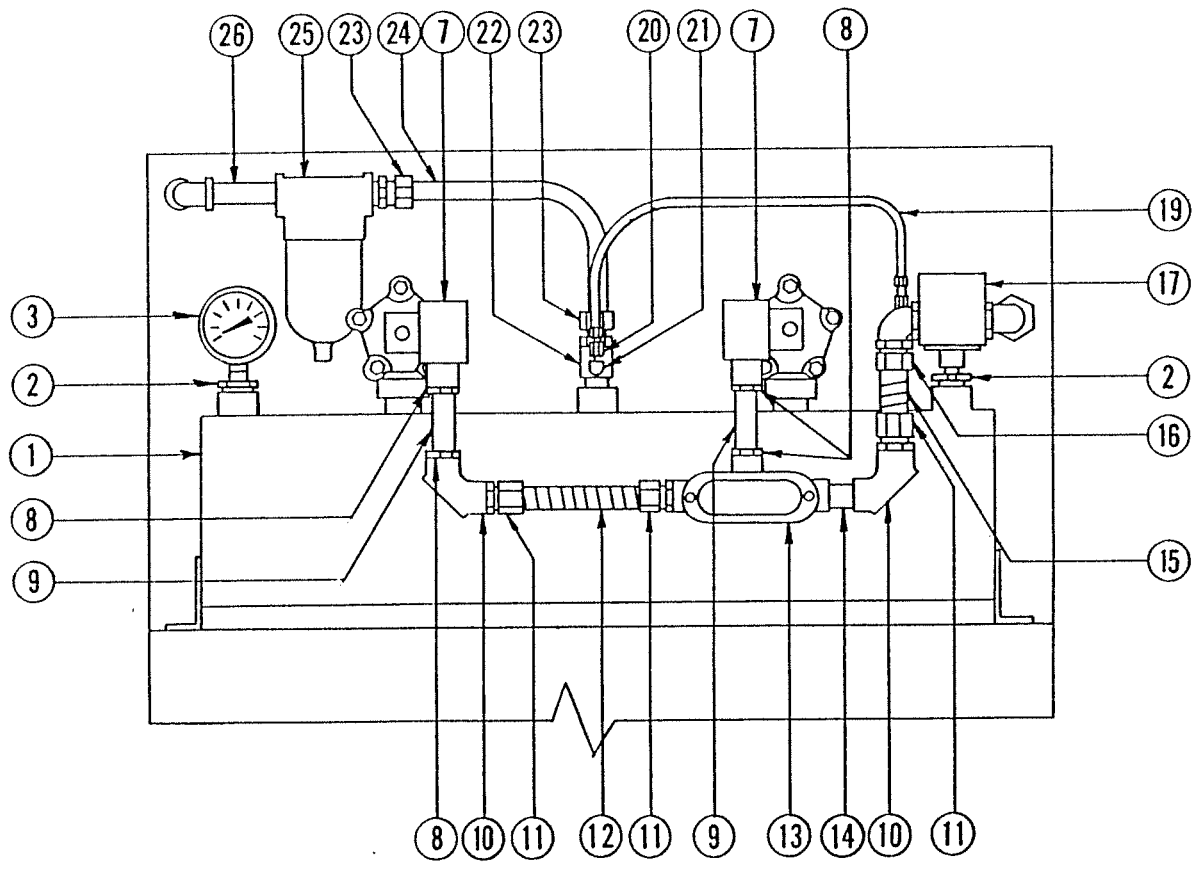
Item #	Part #	Qty.	Description
1.	C90214	1	Gauge, Magnehelic Pressure
2.	-----	2	Pipe Plug 1/8NPT (C/W Gauge)
3.	-----	3	Screw (C/W Gauge)
4.	C65012	1	Mount, Magnehelic Gauge
5.	10018	2	Screw, Cap 1/4-20 x 3/4
6.	10602	4	Washer, Flat 1/4
7.	10038	2	Washer, Lock 1/4
8.	10013	2	Nut 1/4-20

Note: See Fig. 6 for Plumbing Details

FIG. 3: AIR TANK FLUIDING ASSEMBLY



Top View



Front View

PARTS LIST - FIG. 5: AIR TANK PLUMBING ASSEMBLY

Item #	Part #	Qty.	Description
1.	C65111	1	Tank, Air
2.	10746	2	Bushing, Hex 1/2 x 1/4NPT
3.	C90207	1	Gauge, Air Pressure
4.	C65109	2	Pipe 3/4NPT x 3"
5.	C65107	2	Valve, Air 3/4NPT
6.	10798	2	Pipe Nipple 1/8NPT x 1-1/2"
7.	C90208	2	Solenoid, Air
8.	10790	4	Conduit Locknut 1/2NPT
9.	10697	2	Pipe Nipple 1/2NPT x 3"
10.	C90212	2	Elbow, 1/2 Pull W/Cover
11.	C90210	4	Fitting, Straight Liq. Tite 1/2
12.	C65112	1	Conduit, Flex. 1/2"ID x 4"Approx.
13.	C90213	1	Outlet Body W/Cover 1/2
14.	10728	1	Pipe Nipple, Close 1/2NPT
15.	C65113	1	Conduit, Flex. 1/2"ID x 3"Approx.
16.	C90211	2	Fitting, Elbow 90D Liq. Tite 1/2
17.	C90205	1	Switch, Air Pressure
18.	C65114	1	Conduit, Flex. 1/2"ID x 3-1/4"Approx.
19.	C90237	1	Tube, Copper 1/4"OD x 14"Approx.
20.	10688	1	Fitting, Comp. 1/4"Tube x 1/8MPT
21.	40015	1	Elbow, Street 1/8NPT x 90
22.	C90206	1	Valve, Check
23.	10687	2	Fitting, Comp. 3/8 Tube x 3/8MPT
24.	C65116	1	Tube, Copper 3/8"OD x 10"Approx.
25.	C90204	1	Filter, Air Line 3/8NPT
26.	10787	1	Pipe Nipple 3/8NPT x 2"
27.	10791	1	Elbow, Female 3/8NPT x 90
28.	10761	1	Pipe Nipple 3/8NPT x 1-1/2"

NOTE: For Wiring see Diagram #2

Magnehelic Gauge Plumbing Assy.

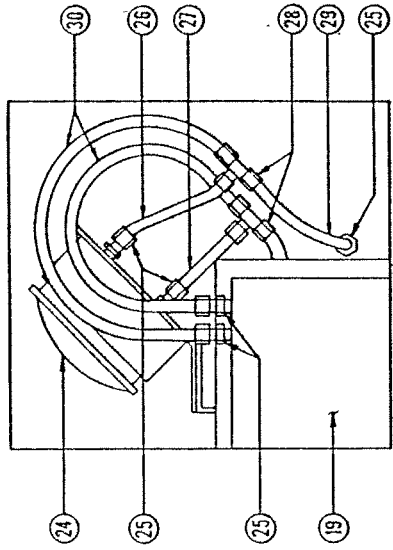
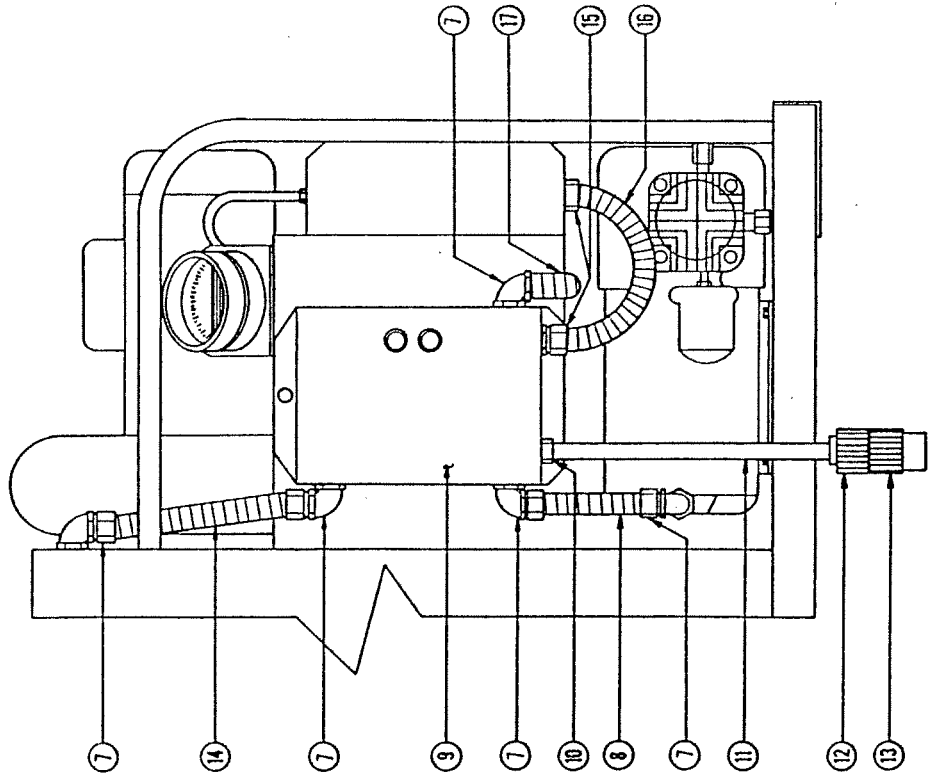
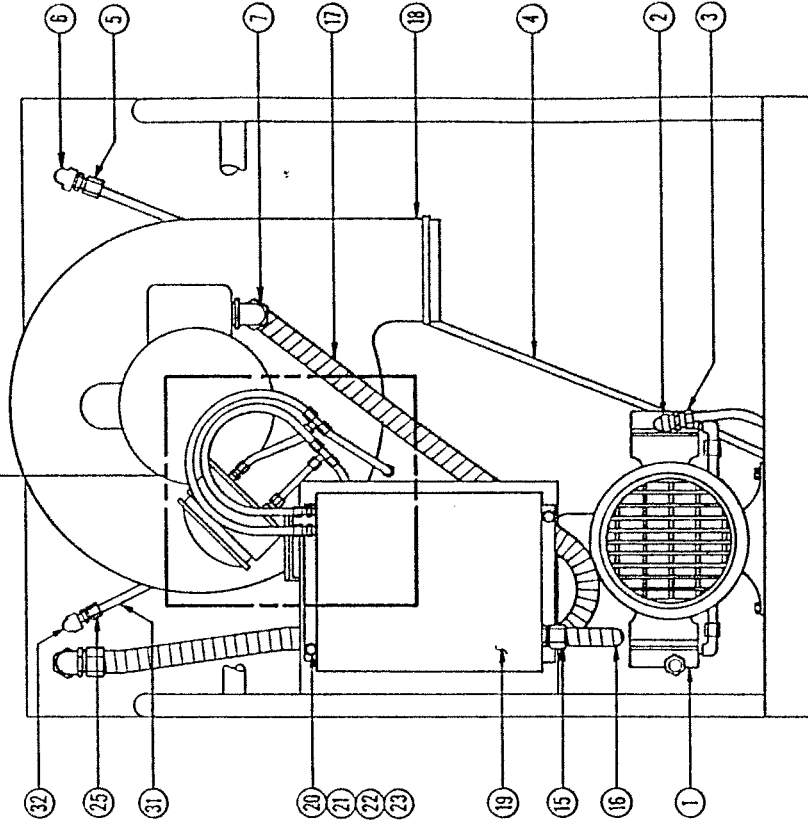


FIG. 6: CLEANING CONTROL SYSTEM



Side View

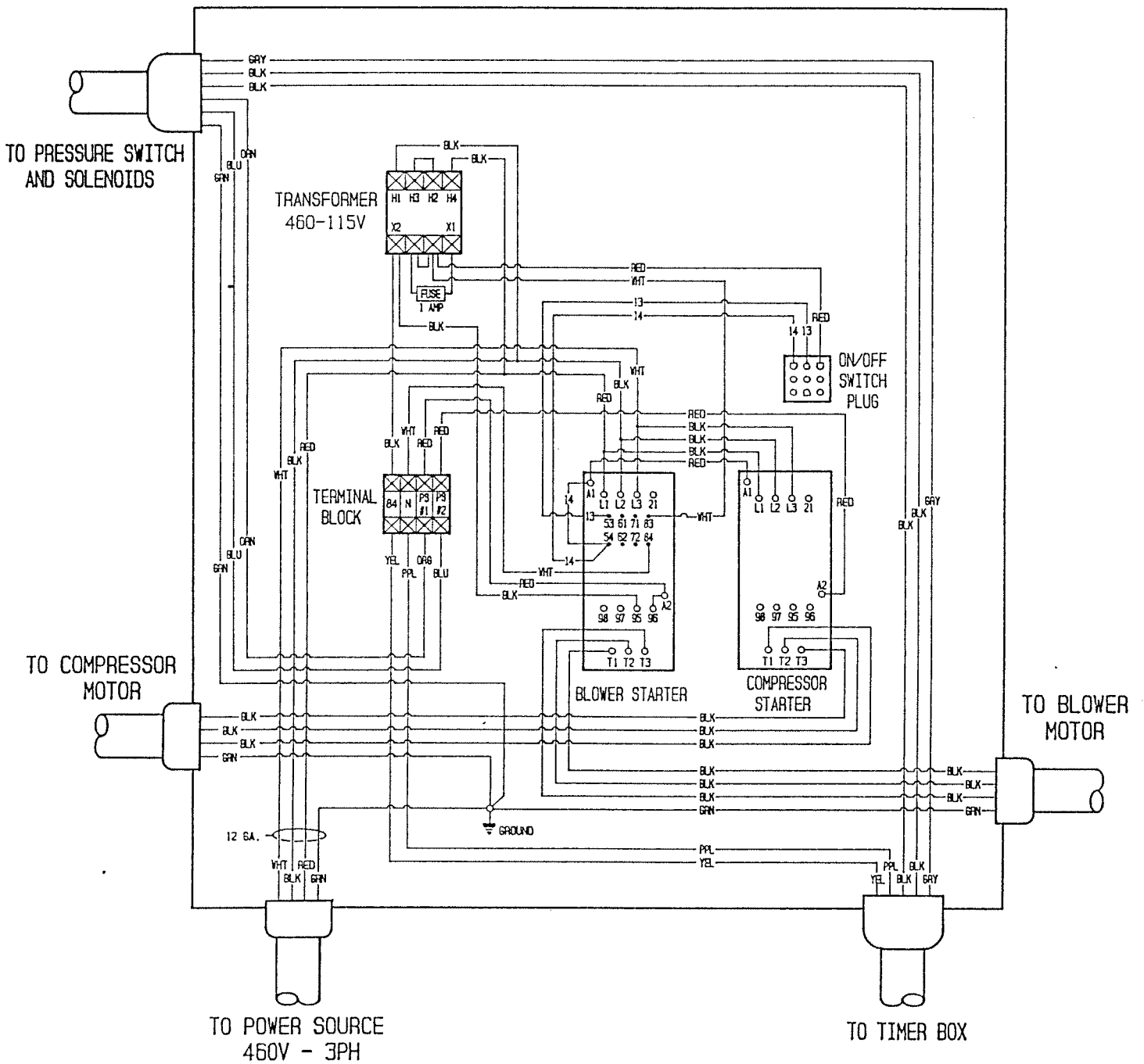


Rear View

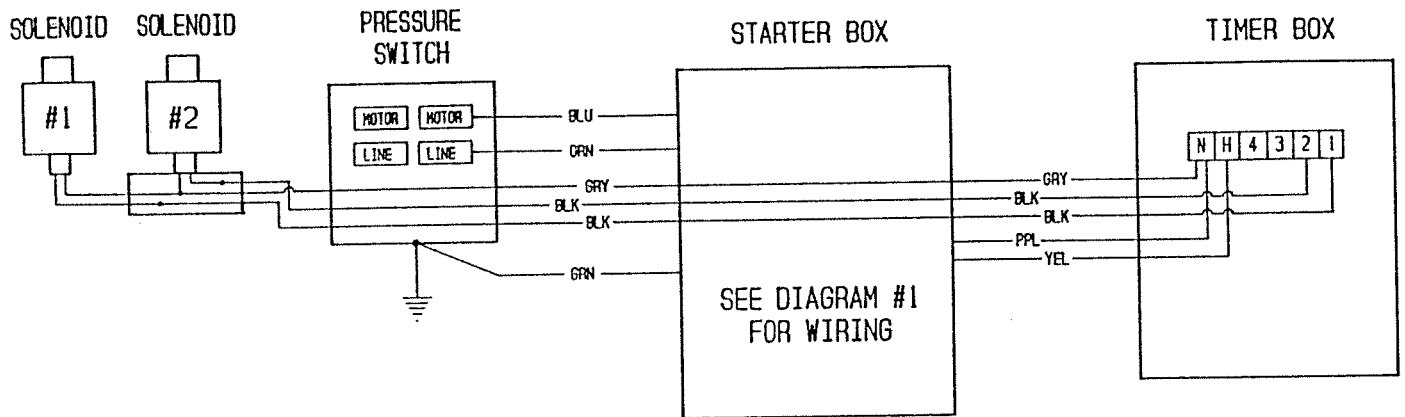
PARTS LIST - FIG. 6: CLEANING CONTROL SYSTEM

Item #	Part #	Qty.	Description
1.	C90217	1	Compressor, Air 1-HP/3-PH 460VAC (see Fig. 2, Item #6)
2.	10730	1	Elbow, Street 1/4NPT x 90
3.	10653	1	Fitting, Comp. 3/8Tube x 1/4MPT
4.	C65121	1	Tube, Copper 3/8"OD x 56"Approx.
5.	10687	1	Fitting, Comp. 3/8 Tube x 3/8MPT
6.	10220	1	Elbow, Street 3/8NPT x 90
7.	C90211	6	Fitting, Elbow 90D Liq. Tite 1/2
8.	C65013	1	Conduit, Flex. 1/2"ID x 7-1/4"Approx.
9.	C65160	1	Starter Box 460VAC
10.	40034	1	Conn., Strain Relief 3/4NPT x .750-.880"
11.	C65131	1	Wire Harness 10/3 x 24"
12.	16114	1	Plug, Male 20A/480V
13.	16115	1	Plug, Female Conn. 20A/480V
14.	C65013	1	Conduit, Flex. 1/2"ID x 7-1/4"Approx.
15.	C90210	2	Fitting, Straight Liq. Tite 1/2
16.	C65014	1	Conduit, Flex. 1/2"ID x 13-1/2"Approx.
17.	C65115	1	Conduit, Flex. 1/2"ID x 31-3/4"Approx.
18.	C90220	1	Blower w/Motor 3-HP/3-PH
19.	C90240	1	Box, Timer
20.	10018	4	Screw, Cap 1/4-20 x 3/4
21.	10602	8	Washer, Flat 1/4
22.	10038	4	Washer, Lock 1/4
23.	10013	4	Nut 1/4-20
24.	C90214	1	Gauge, Magnehelic Pressure
25.	10688	6	Fitting, Comp. 1/4Tube x 1/8MPT
26.	C65125	1	Tubing, Nylon 1/4"OD x 3-1/4"Approx.
27.	C65126	1	Tubing, Nylon 1/4"OD x 2-1/8"Approx.
28.	10654	2	Fitting, Comp. Tee 1/4 Tube
29.	C65123	1	Tubing, Nylon 1/4"OD x 9-3/4"Approx.
30.	C65124	2	Tubing, Nylon 1/4"OD x 7-3/4"Approx.
31.	C65122	1	Tubing, Nylon 1/4"OD x 19-1/2"Approx.
32.	10730	1	Elbow, Street 1/4NPT x 90

WIRING DIAGRAM #1: STARTER BOX - 460V



WIRING DIAGRAM #2: CLEANING CONTROL SYSTEM



COLOR CODES	
BLK = BLACK	PPL = PURPLE
BLU = BLUE	RED = RED
GRN = GREEN	WHT = WHITE
GRY = GRAY	YEL = YELLOW
ORN = ORANGE	

NOTE: ALL WIRES ARE 14 GA.
UNLESS OTHERWISE NOTED.